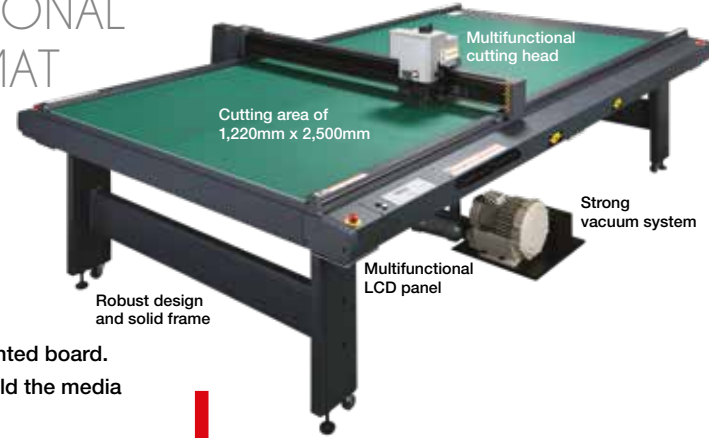


# MULTIFUNCTIONAL LARGE FORMAT CF22-1225 FLATBED CUTTING PLOTTER



Perfect for cutting 8' x 4' printed board.  
Zoned vacuum system to hold the media operated via control panel.



## POWERFUL PRINT AND CUT COMBO WITH JFX200-2513

Together with the Mimaki JFX200-2513 UV LED flatbed printer, the CF22-1225 offers a powerful, cost-effective print and cut solution.

With a maximum print area of 2.5m x 1.3m, the JFX200-2513 is the perfect fit for the CF22-1225. Offering the ability to print to a wide range of substrates, the class-leading LED UV flatbed printer delivers unparalleled performance and productivity for professional sign and graphic companies.



www.mimakieurope.com info@mimakieurope.com twitter: @MimakiEurope  
Mimaki Europe B.V. Stammerdijk 7E, 1112 AA Diemen, The Netherlands T: +31 (0)20 4627640

### MIMAKI CF22 SPECIFICATIONS

CF22-1225		
Maximum Media size to be set	2,600 x 1,360mm, 70kg max	
Plotting area	2,500 x 1,220mm	
Motorization	X/Y/Z/Θ axis: DC servo motor	
Maximum plotting speed	55cm / sec	
Cutter head type	RC head	
Cutting pressure	Eccentric cutter: 20 to 400g Low pressure tangential: 300 to 1,500g High pressure tangential: 1,000 to 5,000g Creasing roller: 1,000 to 5,000g	
Static accuracy	Repetition	±0.1mm
	Distance	±0.1mm or ±0.1% of movement distance    ≥
	Origin reproducibility	±0.1mm or less
	Perpendicularity	±0.7 / 2,500mm
Work fixation	Vacuum suction by blower	
Receiving buffer capacity	27MB (17MB while sorting)	
Command	MGL-Ilc3	
Interface	USB 2.0, RS-232C, Ethernet	
Safety standard	VCCI-class A, FCC-class A, UL60950-1, CB Report (EN60950), CE Marking (Machinery), RoHS, REACH	
Operational environment	Temperature	5 - 40°C
	Humidity	35 - 75%RH (Non condensing)
	Accuracy guaranteed temperature	20 - 25°C
	Temperature gradient	±10°C /h or less
Power	Single phase AC100V - 240V	
Power consumption	300W	
Dimensions (WxDxH)	3,160 x 1,930 x 1,200mm	
Weight	230kg	

MEUCF2201-EN

\*Specifications subject to change

# MULTIFUNCTIONAL LARGE FORMAT FLATBED CUTTING PLOTTER

ENCOURAGING CREATIVITY



CF22



Mimaki



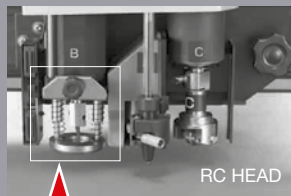
## COMPLETE CUSTOM PRODUCTION SOLUTION

Combined with the optional ArtiosCAD Designer Solution, Mimaki-dedicated CAD design software, the combination of CF22-1225 and JFX200-2513 delivers the perfect solution for the production of custom printed and cut graphics and products. This includes printing onto the goods, designing and printing the packaging and cutting the cushioning material.

- 1 → Packaging (JFX200 + CF22 + CAD)
- 2 → Cushioning Material (JFX200 + CF22)
- 3 → Product Dispenser (JFX200 + CF22 + CAD)
- 4 → Poster (JFX200 + CF22)
- 5 → Cut-out Panel (JFX200 + CF22)
- 6 → Point of Sale Material (JFX200 + CF22)
- 7 → Life-sized 'Standee' (JFX200 + CF22)
- 8 → Suspended Signage (JFX200 + CF22)

## MULTIPLE TOOLS AND FUNCTIONS FOR ON-DEMAND PRODUCTION

The Mimaki CF22-1225 supports multiple functions for on-demand production of packaging, POP, furniture and more. These include reciprocating, swivel and tangential cutting, as well as creasing and line drawing.



EASILY  
DETACHABLE  
TOOL HOLDER



Tool Type	Pressure	Detail
Pen/swivel cutter	20 - 400g	Supports 17 different types of cutting tools
Reciprocal cutter	1,500g fixed	For cutting of corrugated cardboard, PP/PET or clear film (up to 0.3mm thickness), vinyl chloride for clear packaging and corrugated fiberboard (AB flute).
Tangential cutter	500 - 1,500g	
High pressure tangential	1,000 - 5,000g	Recommended for customers cutting & creasing coated and corrugated cardboard and cutting styrene boards.
Creasing roller		

## MAKING PRINT AND CUT EASIER THAN EVER BEFORE (ID CUT)

**ArtiosCAD**

CAD SOFTWARE FOR PACKAGING DESIGN

- ArtiosCAD for Mimaki is intuitive and simple to use software.
- Supplied with around 400 templates, it is easy to customise the packaging design by entering dimensions in order to produce output at the desired size.



## ID CUT

### POWERFUL SOFTWARE OPTIONS

Mimaki's new ID Cut function has been designed to enable printer operators to contour cut multiple jobs with minimal intervention. Offering trouble-free, automatic cutting of consecutive jobs, it saves time and reduces potential material waste.

An ID barcode is printed through the RasterLink6 Plus RIP along with the image, with the code including cutting and rotation information. The crop mark sensor reads the ID code and automatically executes cutting, ensuring all alignment and rotational requirements are observed.



**CREATE:** Packaging | Cushioning material | Furniture | Posters | Cut-out panels | POP | Life-sized panels | Hanging signboards | and much more...