



Assembly & Installation Instructions

CAUTION: Read instructions carefully and turn electricity off at main circuit breaker panel before beginning installation.

4318, 4319

WARNING - If any Special Control Devices are used with this Fixture, Follow the Instructions Carefully to assure full compliance with N.E.C. requirements. If there are any questions, contact a Qualified Electrical Contractor.

WARNING - This product contains chemicals known to the State of California to cause cancer, birth defects and /or other reproductive harm. Thoroughly wash hands after installing, handling, cleaning, or otherwise touching this product.

CAUTION - All glass is fragile, use care when handling Glass component(s) and or Lamp(s).

ASSEMBLY STEPS:

PASOS PARA ENSAMBLAR:

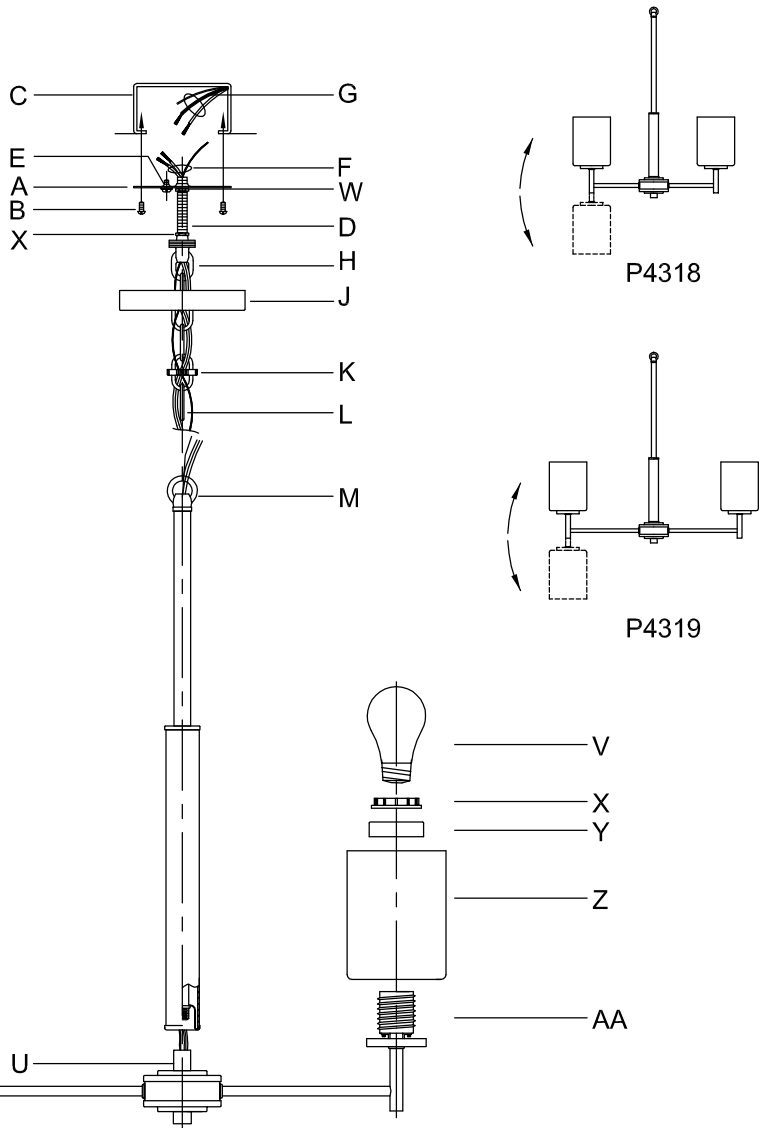
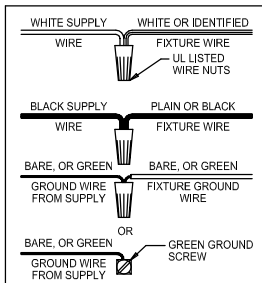
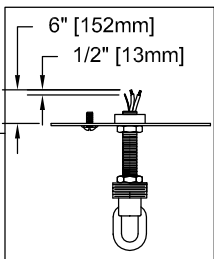
MODE D'ASSEMBLAGE:

- 1. D,E → A
- 2. B,A → C
- 3. W,X,H → D
- 4. X → H
- 5. F → T,S,R,Q,P,N,M
- 6. M → U
- 7. L → M
- 8. J,K → L
- 9. L → H
- 10. F → L,K,J,H,D
- 11. F → G
- 12. J,K → H
- 13. Z,Y,X → AA
- 14. V → AA

ADJUST HEIGHT WITH "D"
 W → A (TO LOCK)

AJUSTA LA ALTURA CON "D"
 W → A (APRETAR)

REGLEZ LA HAUTEUR AVEC "D"
 W → A (À VERROUILLER)



B, C, G & V
 (NOT FURNISHED)