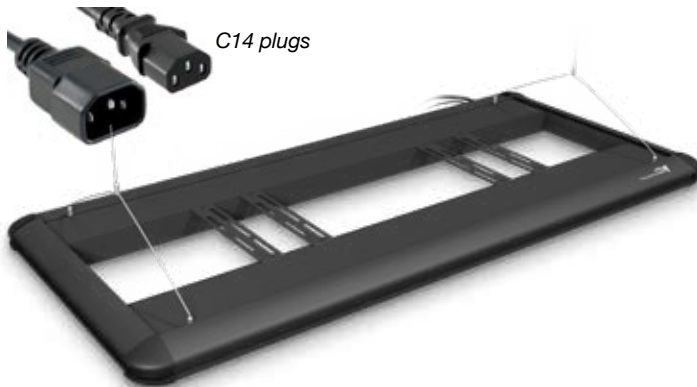


Thank you for purchasing an Aquatic Life T5HO Hybrid Fixture.

When maintained properly, this unit will provide you with years of service. Your X18 fixture features two power cords, which allow you to power the two inner lamps together and the two outer-most lamps together.

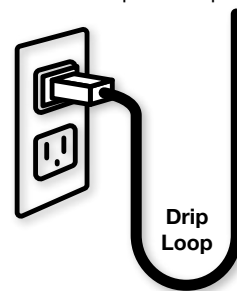


The HEP® brand ballasts work with 100-277 V, 50-60 Hz electric and use end-of-life protection to prevent bad lamps from lighting.

We test each fixture ballast prior to shipping the fixture.
If lamps do not work in your fixture, refer to the troubleshooting section of this guide.

WARNING: Please read carefully before proceeding with installation. Your failure to follow any attached instructions and operating parameters may lead to the product's failure.

- A) **READ AND FOLLOW ALL SAFETY INSTRUCTIONS.**
- B) **DANGER** – To avoid possible electric shock, special care should be taken since water is employed in the use of aquarium equipment. For each of the following situations, do not attempt repairs by yourself; return the appliance to an authorized service facility for service or discard the appliance:
 - 1) If the appliance falls into the water, **DON'T** reach for it! First unplug it and then retrieve it. If electrical components of the appliance get wet, unplug the appliance immediately. (Non-immersible equipment only)
 - 2) If the appliance shows any sign of abnormal water leakage, immediately unplug it from the power source. (Immersion equipment only)
 - 3) Carefully examine the appliance after installation. It should not be plugged in if there is water on parts not intended to be wet.
 - 4) Do not operate any appliance if it has a damaged cord or plug, or if it is malfunctioning or has been dropped or damaged in any manner.
 - 5) To avoid the possibility of the appliance plug or receptacle getting wet, position aquarium stand and tank to one side of a wall-mounted receptacle to prevent water from dripping onto the receptacle



or plug. A "drip loop," shown in the figure to the left, should be arranged by the user for each cord connecting an aquarium appliance to a receptacle. The "drip loop" is that part of the cord below the level of the receptacle, or the connector if an extension cord is used, to prevent water traveling along the cord and coming in contact with the receptacle. If the plug or receptacle does get wet, **DON'T** unplug the cord. Disconnect the fuse or circuit breaker that supplies power to the appliance. Then, unplug and examine for presence of water in the receptacle.

- C) Close supervision is necessary when any appliance is used by or near children.
- D) To avoid injury, do not contact moving parts or hot parts such as heaters, reflectors, lamp bulbs, and the like.
- E) Always unplug an appliance from an outlet when not in use, before putting on or taking off parts, and before cleaning. Never yank the cord to pull the plug from outlet. Grasp the plug and pull to disconnect.
- F) Do not use an appliance for other than intended use. The use of attachments not recommended or sold by the appliance manufacturer may cause an unsafe condition.
- G) Do not install or store the appliance where it will be exposed to the weather or to temperatures below freezing.
- H) Make sure an appliance mounted on a tank is securely installed before operating it.
- I) Read and observe all the important notices on the appliance.
- J) If an extension cord is necessary, a cord with a proper rating should be used. A cord rated for less amperes or watts than the appliance rating may overheat. Care should be taken to arrange the cord so that it will not be tripped over or pulled.
- K) For added safety, the appliance must be plugged into a receptacle controlled by a GFCI (ground fault interrupter) circuit breaker. The device must be properly connected to a grounded three-prong receptacle.
- L) This appliance is intended **FOR HOUSEHOLD USE ONLY.**
- M) **SAVE THESE INSTRUCTIONS.**

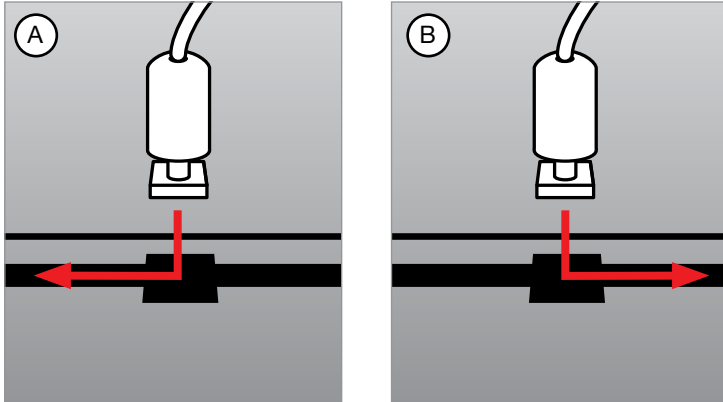
IMPORTANT!

Please do not return this product to place of purchase
 For technical assistance or warranty issues, contact
 AquaticLife at 1-888-548-3480 or 1-818-768-6943
 or email customersupport@aquaticlife.com

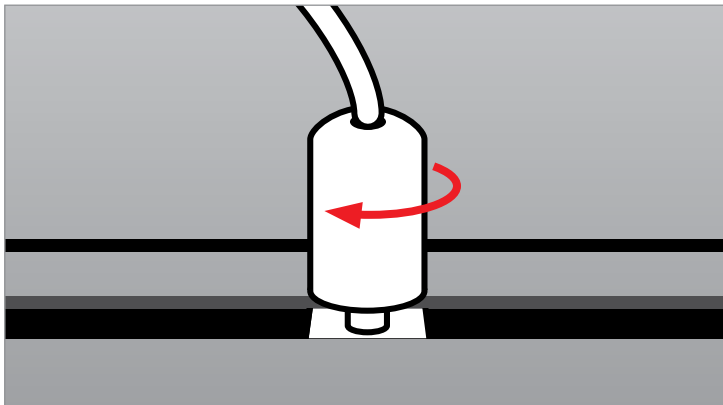
Contents				
	24" #420620	36" #420621	48" #420622	61" #420623
Four Lamp Fixture Housing with two 2.4M cords & C14 plugs	1	1	1	1
Power Cord, 40cm with electric outlet plug	2	2	2	2
Cord Management Strip	1	1	1	1
Rectangular LED Bracket	2	4	6	8
Bracket Screws	6	10	14	18
Suspension Hardware	2	2	2	2
Tools Recommended for Installation				
Phillips Screwdriver				

FIXTURE ASSEMBLY

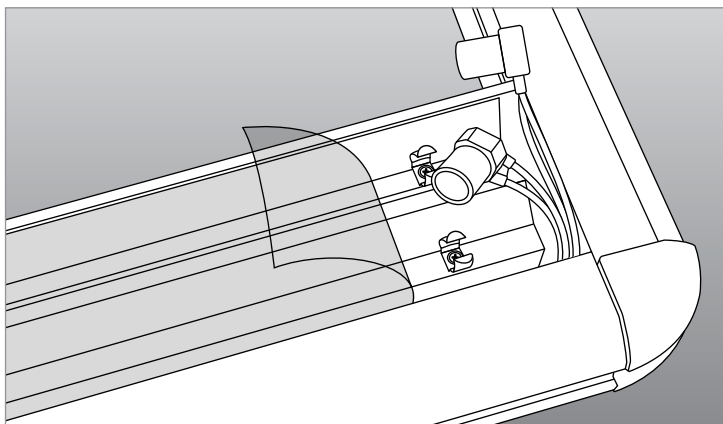
Step 1 – Turn the end of the suspension hardware counter-clockwise to widen the end and insert into the opening in the center of the fixture. Slide the suspension hardware to one side of the fixture. Repeat with the other suspension cable and slide to the opposite side of the fixture.



Step 2 – Turn the suspension top clockwise to lock in place.



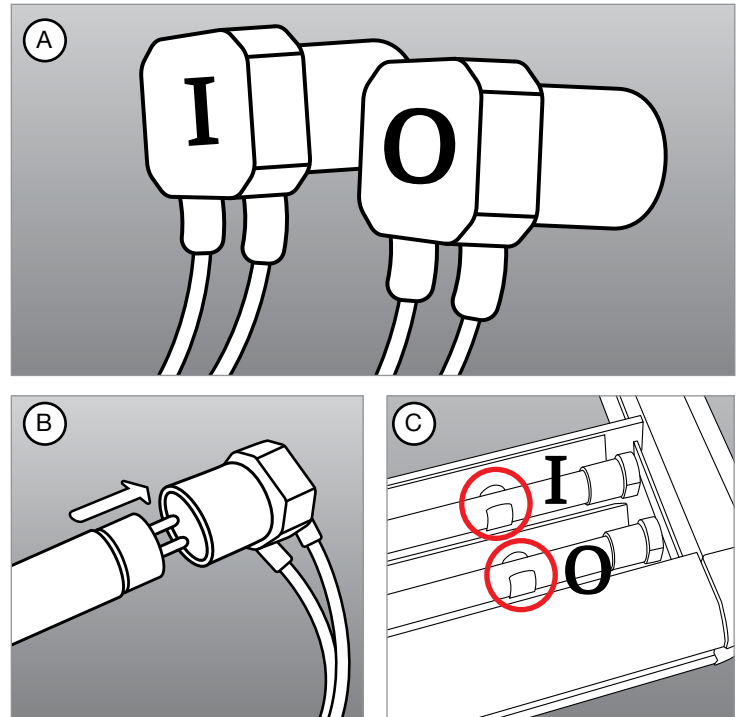
Step 3 – Remove the reflector protective film.



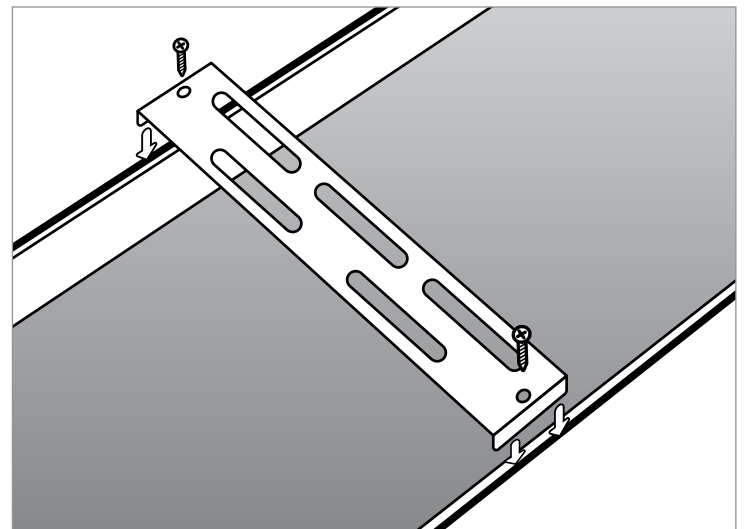
Step 4 – Install the T5HO lamps of your choice into the silicone sockets.



IMPORTANT: The sockets for the inside lamps are marked with an “I”. The sockets for the outside lamps are marked with an “O”.



Step 5 – Install the LED fixture mounting bracket between the two T5HO fixture housings. The brackets rest in the channels on the fixture housings and are secured with screws.

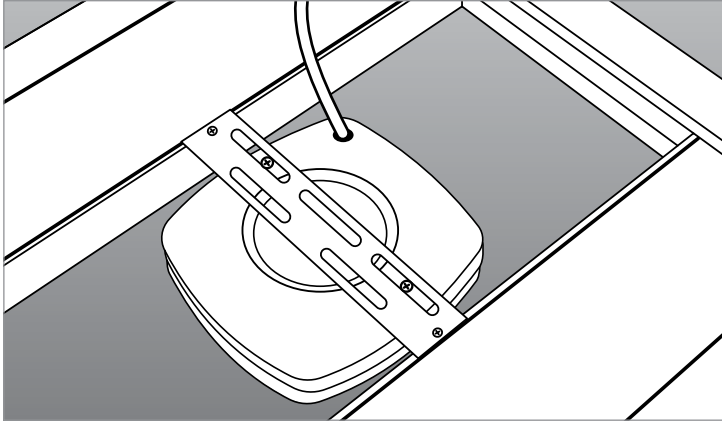


X18 Hybrid Fixtures - Installation, Operation & Maintenance Guide

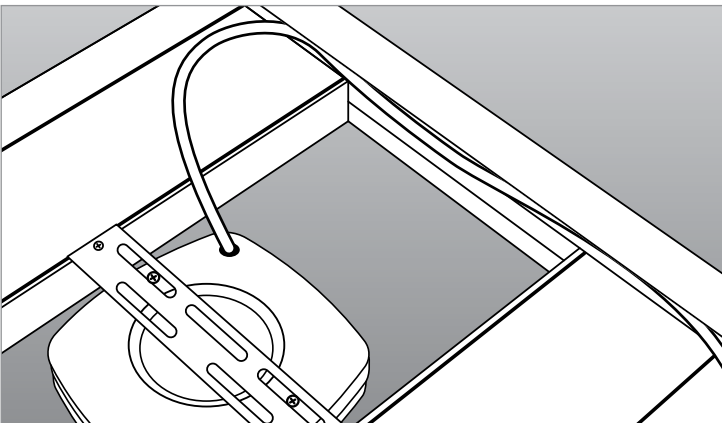
Models: 420620, 420621, 420622, 420623



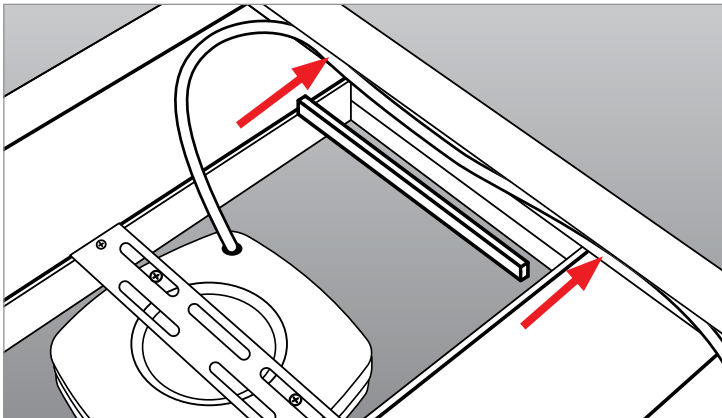
Step 6 – Install your LED fixture onto one or several of the LED brackets. The rectangular bracket has multiple slots where a screw can pass through to secure the LED fixture.



Step 7 – The LED cords will route through the channels on the ends of the fixtures.

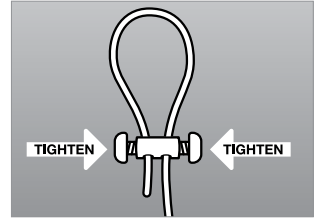


Step 8 – Press the cord management plugs in place to hold the LED cords in the side channels. The included rubber strip can be cut to the needed length and used to hold the cords in the side channels.

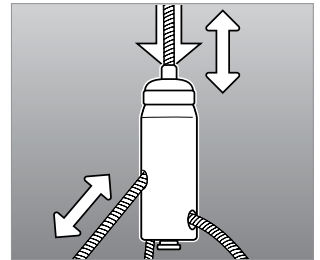


Step 8 – Create a loop at the top of the cables and secure the cable by tightening the screws.

Suspend the fixture safely above the aquarium.



Step 9 – To loosen the wire pulled through the adjustment hardware, press the small button that is positioned around the wire at the top of the hardware. Gently pull down on the adjustment hardware until the fixture is back to where originally measured.



UNIT OPERATION

One cord will power the two T5HO lamps closest to the middle of the fixture. The other power cord will power the two T5HO lamps closest to the front and back of the fixture. This allows for the use of a timer or controller to power the lamps on at different times.

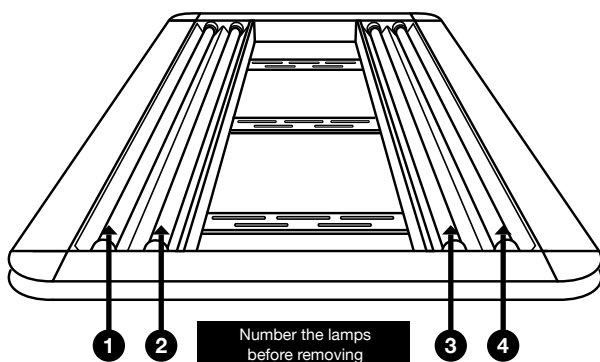
TROUBLESHOOTING

PROBLEM: One side of the Hybrid Fixture is not working. **99.9% of the time when both inner lamps or both outer lamps are not working, it is an issue with the lamps.** Even new lamps can be prone to not working.

The HEP® brand ballasts used in the Hybrid fixtures include an end-of-life protection feature. This means if one of the lamps isn't firing properly, it will stop the ballast from working. This feature prevents the lamp from overheating and possibly causing a fire.

FOLLOW THESE STEPS IF ONE FIXTURE IS NOT WORKING:

- 1) Unplug both sides of the fixture and turn it over so you can see the lamps.
- 2) Number the silver ends of the lamps with a permanent marker (1, 2, 3, 4).



- 3) Plug in both sides and make a note of which lamps are not working.
- 4) Unplug the two fixtures swap the lamps between the working side with the non-working side. Make sure to move them as a pair.

NOTE: It is important to unplug the fixture to reset the end-of-life protection in the ballast.

- 5) Plug in the fixture that was not working. It should now be working.

The ballasts used in the Hybrid fixture are a "Series" type, meaning that if one lamp is bad, both lamps will not work in the fixture.

You can now try different combinations of the numbered (1, 2, 3, 4) lamps to determine which lamp(s) is bad.

All HEP ballasts are tested in every fixture prior to boxing and shipping. If you need additional support, please contact Customer Service at customersupport@aquaticlife.com

UNIT MAINTENANCE

Turn off the power to the T5HO Fixture and LED Fixtures and unplug the fixtures. Wipe the housing with a clean moist/semi dry cloth to remove dust, salt and other debris that may build-up on the fixture.

PRODUCT REGISTRATION

Thank you for purchasing an Aquatic Life product - we know you'll enjoy it!

BENEFITS OF REGISTRATION:

Confirmation of Ownership

Provides a record in the event you need to contact us about your product in the future.

Your Safety

Allows us to contact you with important product notifications.

Improved Product Support

Helps us continue to tailor our products and services to meet your needs.

Register Online at www.aquaticlife.com

Lifetime Products is committed to reducing our carbon footprint and we appreciate your time in registering electronically.

LIMITED WARRANTY

Aquatic Life warrants that this product (excluding lamps and media) shall be free from defective electrical components and leaks or cracks due to defects in materials or workmanship for a period of twelve (12) months from the date of purchase. If a defect is shown, Aquatic Life will, at Aquatic Life's sole discretion, either repair or replace the product without charge. No cash refunds will be made. This warranty is provided solely to the original consumer purchaser of the product and may not be transferred or assigned.

This warranty does not apply to damage resulting from accident, misuse, abuse, lack of reasonable care, failure to follow safety and installation instructions, use of the product with non-standard electrical service, or any other defect not resulting from defects in the electrical components of the product or defects in materials or workmanship. This warranty will not be effective unless and until the Aquatic Life product is shown to have been used in accordance with the safety and installation instructions accompanying the product.

THIS CONSTITUTES AQUATIC LIFE'S ENTIRE WARRANTY AND AQUATIC LIFE MAKES NO OTHER WARRANTIES, WHETHER EXPRESS OR IMPLIED, WITH RESPECT TO THE PRODUCT. AQUATIC LIFE, LLC SPECIFICALLY DISCLAIMS ANY AND ALL IMPLIED WARRANTIES, INCLUDING, WITHOUT LIMITATION, WARRANTIES OF MERCHANTABILITY AND FITNESS FOR A PARTICULAR PURPOSE. IF AQUATIC LIFE, LLC CANNOT LAW FULLY DISCLAIM IMPLIED WARRANTIES UNDER THIS LIMITED WARRANTY, ALL SUCH WARRANTIES, INCLUDING WARRANTIES OF MERCHANTABILITY AND FITNESS FOR A PARTICULAR PURPOSE ARE LIMITED IN DURATION TO THE DURATION OF THIS WARRANTY. AQUATIC LIFE IS NOT RESPONSIBLE FOR DIRECT, SPECIAL, INCIDENTAL OR CONSEQUENTIAL DAMAGES RESULTING FROM ANY BREACH OF WARRANTY OR CONDITION, OR UNDER ANY OTHER LEGAL THEORY. AQUATIC LIFE EXPRESSLY DISCLAIMS ALL ALLEGED DAMAGES FOR LOSS OF MARINE LIFE, PERSONAL INJURY, AND/OR PROPERTY DAMAGE.

Some states and provinces do not allow the exclusion or limitation of incidental or consequential damages or exclusions or limitations on the duration of implied warranties or conditions, so the above limitations or exclusions may not apply to you. This warranty gives you specific legal rights, and you may also have other rights that vary by state or province.

Aquatic Life shall not have any obligations under this warranty unless the owner notifies Aquatic Life in writing of any alleged defect(s) within 30 days of discovery of the defect(s). Any notice to Aquatic Life must be delivered by United States or electronic mail to the following address:

Aquatic Life | 9710 Klingerman St. | S El Monte, CA | 91733

Email: customersupport@aquaticlife.com

Aquatic Life & HEP are trademarks of their respective owners.
© Lifetime Products LLC
Patented