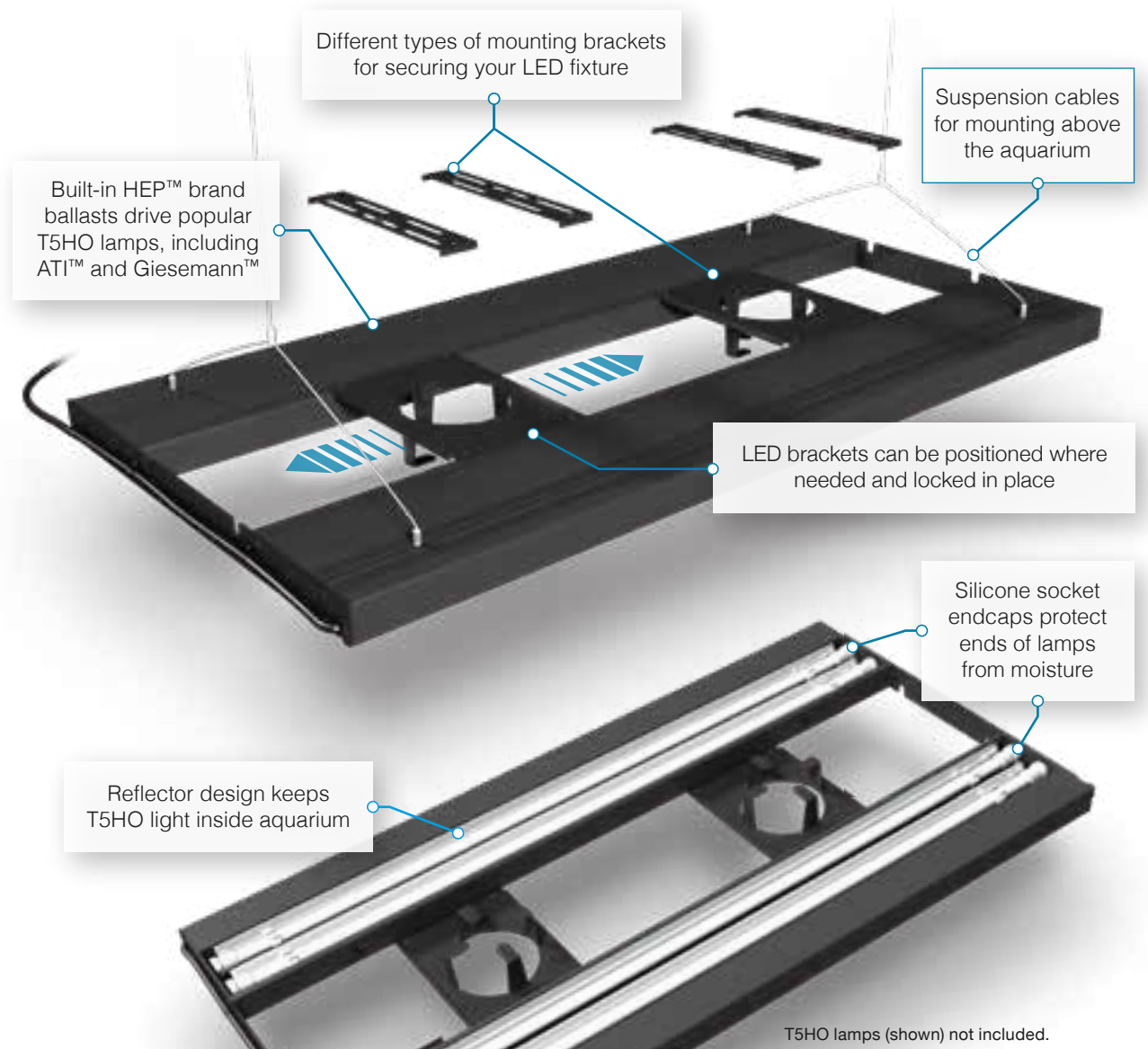




## T5HO Hybrid FIXTURES



Combine the **LED FIXTURE OF YOUR CHOICE** with the **T5HO HYBRID FIXTURE** for optimal aquarium lighting



Customer Support  
**Call 1-888-548-3480**  
[customersupport@aquaticlife.com](mailto:customersupport@aquaticlife.com)

For more information on this product and for a complete list of other quality Aquatic Life products visit [www.AquaticLife.com](http://www.AquaticLife.com)

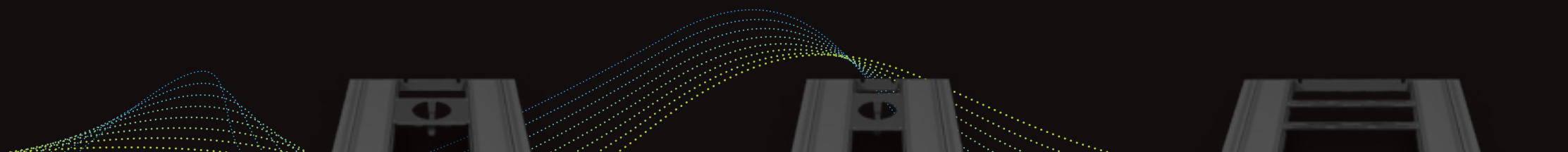
EcoTech Radion, Kessil A160, Kessil 360, AI Hydra, AI Prime, Aqua Illumination, Cetus 2, HEP, ATI and Gieseemann trademarks are properties of their respective owners.

**#aquaticlifeusa**  
**#t5hybrid**

© Copyright AquaticLife Rev 08/18

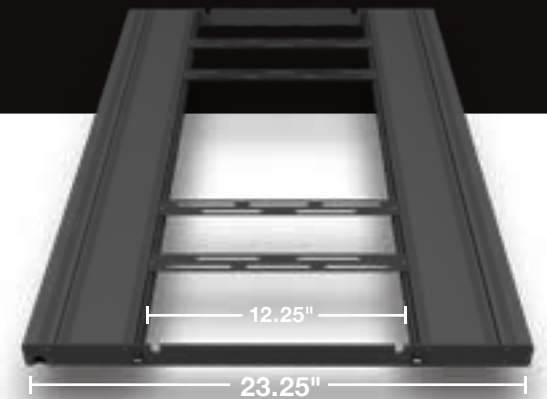
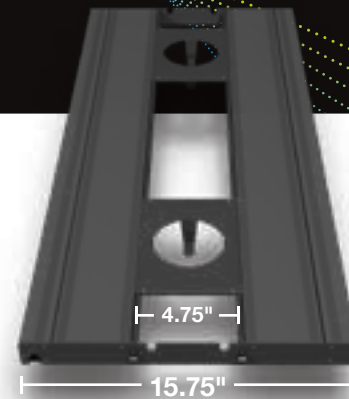
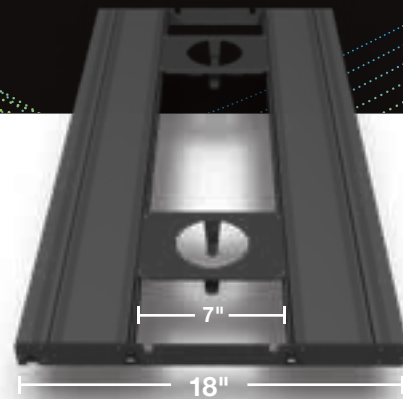
BRINGING THE OCEAN TO YOU,  
WHEREVER YOU MAY BE®

Available in 24", 36", 48" and 61" models



The **T5HO Hybrid Fixtures** are available in **four lengths** and are 18" wide. The width is **ideal for aquariums** that are **18"-24"** front-to-back. The **61" model** is designed for use over a **six foot aquarium**.

Included brackets will accommodate: **Aqua Illumination Hydra 26 & Hydra 52™**, **EcoTech Radion XR15w & XR30w™**, **Kessil A360 & AP700™** & **HM Electronics Cetus 2™** pendant.



### Included Components for T5HO Hybrid Fixtures

*Each fixture requires assembly & includes all screws & cable management clips. T5HO lamps not included.*

Model	420504 24"	420505 36"	420506 48"	420522 61"
<b>Component Quantity</b>				
<b>T5HO 2-Lamp Fixture Housing</b>	2	2	2	2
<b>18" End Plate (pair)</b> Item# 470535 - Black	1	1	1	1
<b>18" LED Bracket (pair)</b> Item# 470531 - Black	1	2	3	4
<b>16"/18" LED Bracket (4" round opening)</b> Item# 470532 - Black <i>Ideal for mounting the Kessil A360™ &amp; HME Cetus 2™</i>	1	2	3	4
<b>Suspension Hardware</b> Item# 470281	1	1	1	1

You add the <b>four T5HO lamps</b> of your choice	24" lamps 24W	36" lamps 39W	48" lamps 54W	60" lamps 80W
---	------------------	------------------	------------------	------------------

### Customize for **Narrow Tanks**

Optional components allow you to **REDUCE** the fixture width to 15.75"  
**Ideal for aquariums 16"-18" wide**

**16" End Plate (pair)**  
Item# 470534 - Black

**16" LED Bracket (pair)**  
Item# 470537 - Black  
**Ideal for mounting the AI Prime™**

**16"/18" LED Bracket (4" round opening)**  
Item# 470532 - Black  
**Ideal for mounting the Kessil A360™**

**16"/18" LED Bracket (2.5" round opening)**  
Item# 470533 - Black  
**Ideal for mounting the Kessil A160™ & HME Cetus 2™**

**16" Décor Endcaps (pair)**  
Item# 470554 - Black

### Customize for **Wide Tanks**

Optional components allow you to **EXPAND** the fixture width to 23.25"  
**Ideal for aquariums 24"-36" wide**

**24" End Plate (pair)**  
Item# 470536 - Black

**24" LED Bracket (pair)**  
Item# 470538 - Black  
**Ideal for mounting the EcoTech Radion XR30w™ or the AI Hydra 52™ perpendicular to the T5HO fixtures**

**24" Décor Endcaps (pair)**  
Item# 470556 - Black



### Add Décor Endcaps to Conceal Power Cords!

<b>16" Décor Endcaps (pair)</b> Item# 470554	<b>18" Décor Endcaps (pair)</b> Item# 470555	<b>24" Décor Endcaps (pair)</b> Item# 470556
---	---	---

<b>Helpful Hints</b>	Round LED brackets can be used for 16" or 18" wide setup by rotating bracket 90°	Place LED fixtures at the ends of the 61" fixture to allow light to reach the ends of a six foot aquarium	Universal HEP ballasts work with 100-277 volts/ 50-60 Hz.	Use optional Aquatic Life fixture hangers (Item# 370547) to suspend the Hybrid fixture
----------------------	--	---	---	--