

## T5HO G2 Hybrid Fixtures - Installation, Operation & Maintenance Guide

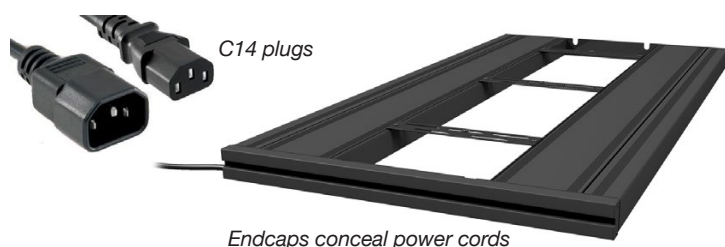
G2 Black: 420616, 420617, 420618, 420619

G2 White: 420558, 420559, 420560, 420561



### Thank you for purchasing an Aquatic Life T5HO G2 Hybrid Fixture.

When maintained properly, this unit will provide you with years of service. Your Generation 2 Hybrid fixture includes the decorative endcaps to conceal the power cords on both sides of the fixture. In addition, the power cord now uses a C14 type connector, making it easy to switch the type of power outlet plug or extend the length of the cord.



The HEP® brand ballasts work with 100-277 V, 50-60 Hz electric and use end-of-life protection to prevent bad lamps from lighting.

We test each fixture ballast prior to shipping the fixture.

**If lamps do not work in your fixture, refer to the troubleshooting section of this guide.**



**IMPORTANT!**



Please do not return this product to place of purchase  
For technical assistance or warranty issues, contact  
AquaticLife at 1-888-548-3480 or 1-818-768-6943  
or email [customersupport@aquaticlife.com](mailto:customersupport@aquaticlife.com)

#### Contents

	24"	36"	48"	61"
<b>Black Models:</b>	<b>420616</b>	<b>420617</b>	<b>420618</b>	<b>420619</b>
<b>White Models:</b>	<b>420558</b>	<b>420559</b>	<b>420560</b>	<b>420561</b>
Two Lamp Fixture Housing with 2.4M cord & C14 plug	2	2	2	2
Power Cord, 40cm with electric outlet plug	2	2	2	2
Metal Endplate	2	2	2	2
Endplate Screws	10	10	10	10
18" Decor Endcaps	2	2	2	2
Rectangular LED Bracket	2	4	6	8
Decor Endcap Screws	8	8	8	8
Bracket Screws	6	10	14	18
Suspension Hardware	2	2	2	2

#### Tools Recommended for Installation

Phillips Screwdriver

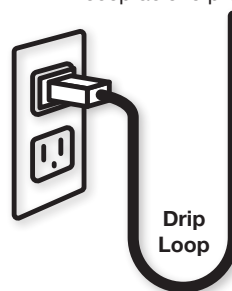


**WARNING:** Please read carefully before proceeding with installation. Your failure to follow any attached instructions and operating parameters may lead to the product's failure.

#### A) READ AND FOLLOW ALL SAFETY INSTRUCTIONS.

B) **DANGER** – To avoid possible electric shock, special care should be taken since water is employed in the use of aquarium equipment. For each of the following situations, do not attempt repairs by yourself; return the appliance to an authorized service facility for service or discard the appliance:

- 1) If the appliance falls into the water, **DON'T** reach for it! First unplug it and then retrieve it. If electrical components of the appliance get wet, unplug the appliance immediately. (Non-immersible equipment only)
- 2) If the appliance shows any sign of abnormal water leakage, immediately unplug it from the power source. (Immersion equipment only)
- 3) Carefully examine the appliance after installation. It should not be plugged in if there is water on parts not intended to be wet.
- 4) Do not operate any appliance if it has a damaged cord or plug, or if it is malfunctioning or has been dropped or damaged in any manner.
- 5) To avoid the possibility of the appliance plug or receptacle getting wet, position aquarium stand and tank to one side of a wall-mounted receptacle to prevent water from dripping onto the receptacle



or plug. A "drip loop," shown in the figure to the left, should be arranged by the user for each cord connecting an aquarium appliance to a receptacle. The "drip loop" is that part of the cord below the level of the receptacle, or the connector if an extension cord is used, to prevent water traveling along the cord and coming in contact with the receptacle. If the plug or receptacle does get wet, **DON'T** unplug the cord. Disconnect the fuse or circuit breaker that supplies power to the appliance. Then, unplug and examine for presence of water in the receptacle.

- C) Close supervision is necessary when any appliance is used by or near children.
- D) To avoid injury, do not contact moving parts or hot parts such as heaters, reflectors, lamp bulbs, and the like.
- E) Always unplug an appliance from an outlet when not in use, before putting on or taking off parts, and before cleaning. Never yank the cord to pull the plug from outlet. Grasp the plug and pull to disconnect.
- F) Do not use an appliance for other than intended use. The use of attachments not recommended or sold by the appliance manufacturer may cause an unsafe condition.
- G) Do not install or store the appliance where it will be exposed to the weather or to temperatures below freezing.
- H) Make sure an appliance mounted on a tank is securely installed before operating it.
- I) Read and observe all the important notices on the appliance.
- J) If an extension cord is necessary, a cord with a proper rating should be used. A cord rated for less amperes or watts than the appliance rating may overheat. Care should be taken to arrange the cord so that it will not be tripped over or pulled.
- K) For added safety, the appliance must be plugged into a receptacle controlled by a GFCI (ground fault interrupter) circuit breaker. The device must be properly connected to a grounded three-prong receptacle.
- L) This appliance is intended **FOR HOUSEHOLD USE ONLY**.
- M) **SAVE THESE INSTRUCTIONS.**

## T5HO G2 Hybrid Fixtures - Installation, Operation & Maintenance Guide

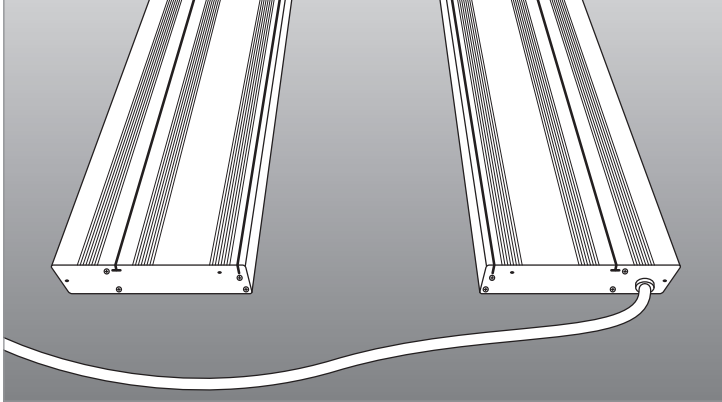
G2 Black: 420616, 420617, 420618, 420619

G2 White: 420558, 420559, 420560, 420561

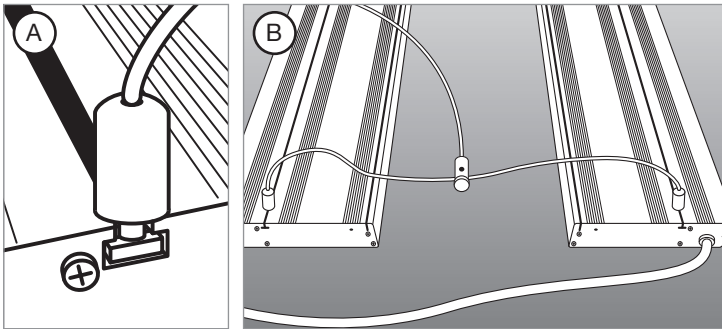


### FIXTURE ASSEMBLY

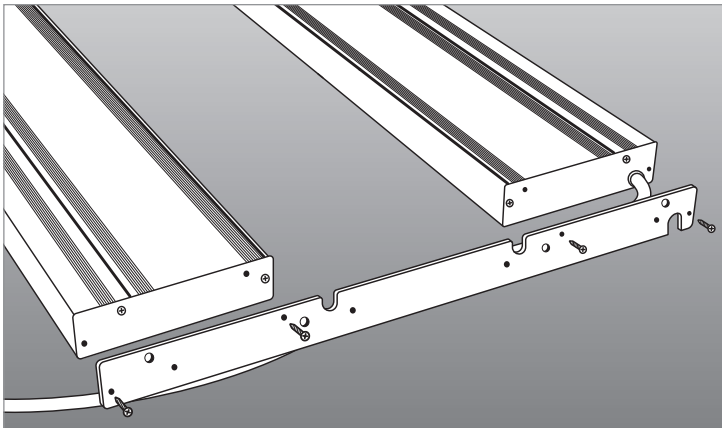
**Step 1** – Lay the two fixtures on a surface that won't scratch the finish. Power cords should be positioned on opposite sides and the power cords should be closest to the outside of the fixture as pictured.



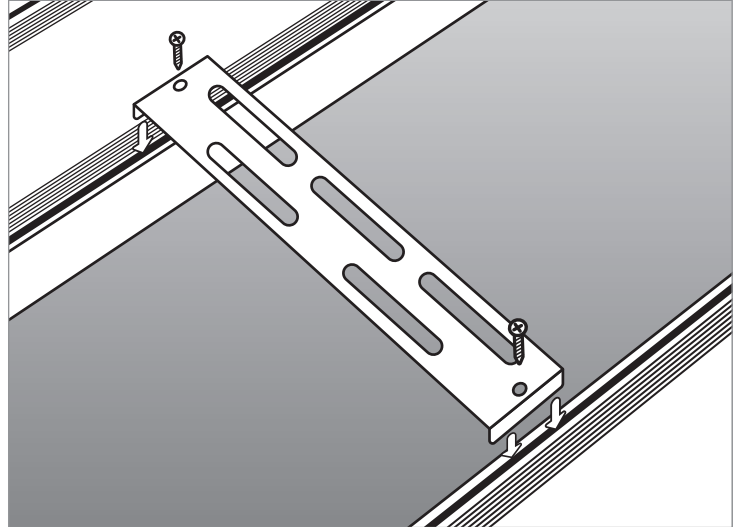
**Step 2** – Slide the suspension hardware into the channels on each fixture.



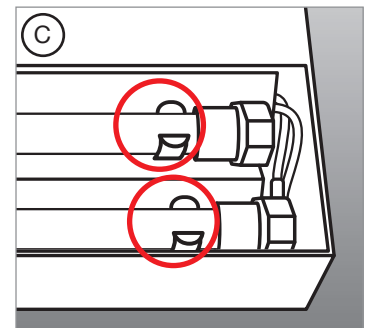
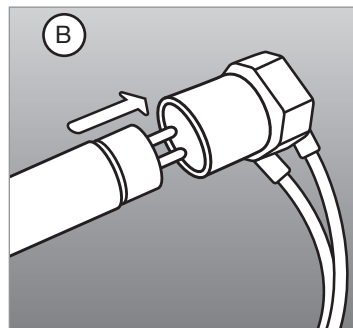
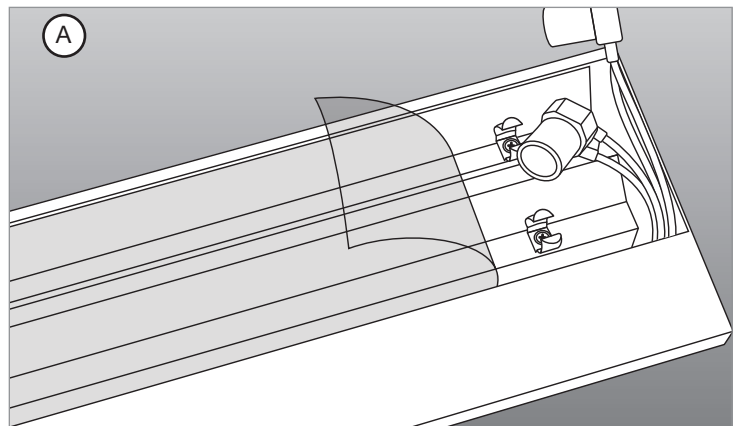
**Step 3** – Attach the metal endplate to each side of the fixture using the longest screws. The metal endplates have a cutout to go around the power cord on each side of the fixture. The endplates also have additional holes that are larger and designed to go over the screws pre-installed on the ends of the fixture housings.



**Step 4** – Install the bracket needed to mount your LED fixture between the two T5HO fixture housings. The brackets will rest in the channels on the fixture housings and are then secured in place with the shortest screws.



**Step 5** – Remove the reflector protective film and install the T5HO Lamps of your choice into the silicone endcaps. Secure the lamps with the clip at the end of each lamp.



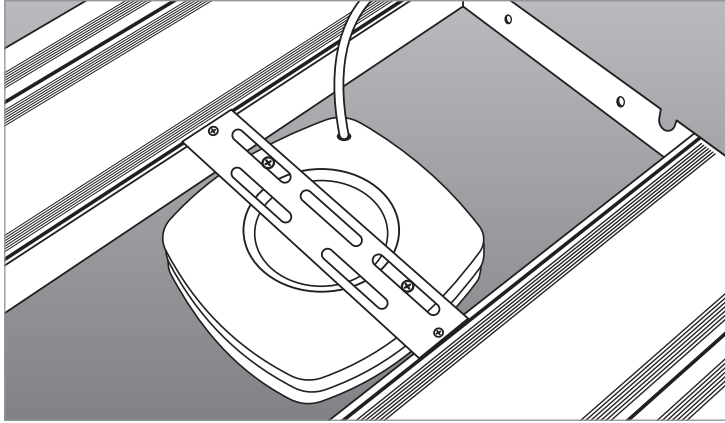
## T5HO G2 Hybrid Fixtures - Installation, Operation & Maintenance Guide

G2 Black: 420616, 420617, 420618, 420619

G2 White: 420558, 420559, 420560, 420561

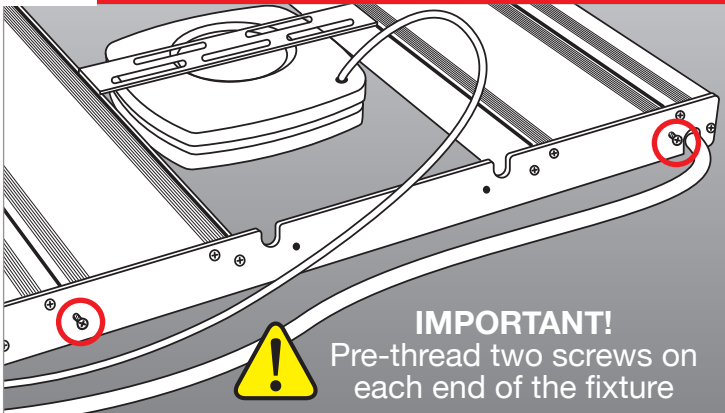


**Step 6** – Install your LED fixture onto one or several of the LED brackets. The rectangular bracket has multiple slots where a screw can pass through to secure the LED fixture.

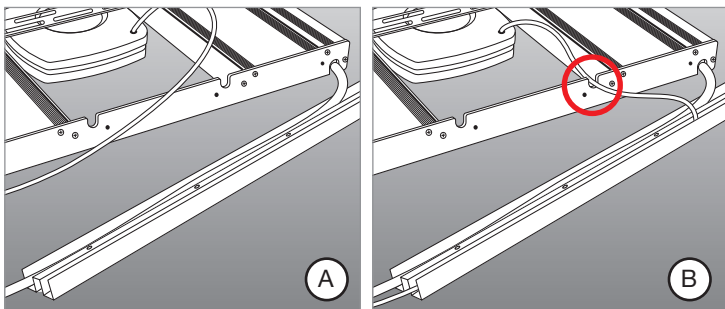


**Step 7**

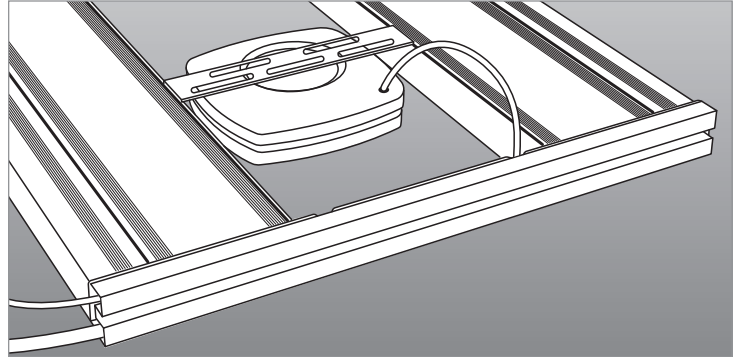
**IMPORTANT:** Before installing the Decor Endcap, thread each of the outer sheet metal screws into the holes in the new metal endplate. When the screws are halfway into the hole, remove them for next step.



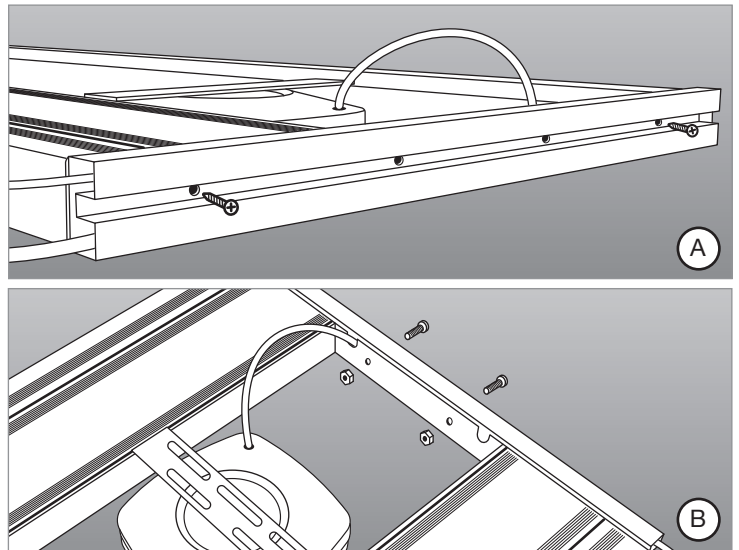
**Step 8** – Place the fixture power cord in the lower channel and the LED cords in the upper channel of the decor endcap. The LED cords will route through the “U” cutouts on top of the endplate.



**Step 9** – Position the decor endcap over the four open holes on the new endplate.



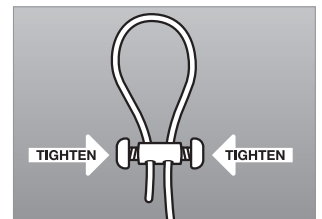
**Step 10** – Using the metal (pointed) screws, attach the endcap using the two outer holes. Place the non-pointed screws in the two middle holes and secure with nuts.



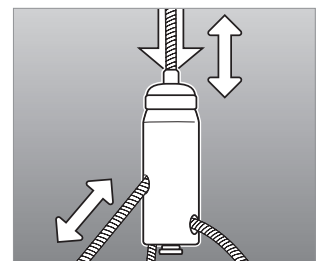
**Step 11** – Repeat steps for other end of fixture.

**Step 12** – Create a loop at the top of the cables and secure the cable by tightening the screws.

Suspend the fixture safely above the aquarium.



**Step 13** – To loosen the wire pulled through the adjustment hardware, press the small button that is positioned around the wire at the top of the hardware. Gently pull down on the adjustment hardware until the fixture is back to where originally measured.



## T5HO G2 Hybrid Fixtures - Installation, Operation & Maintenance Guide

G2 Black: 420616, 420617, 420618, 420619

G2 White: 420558, 420559, 420560, 420561



### TROUBLESHOOTING

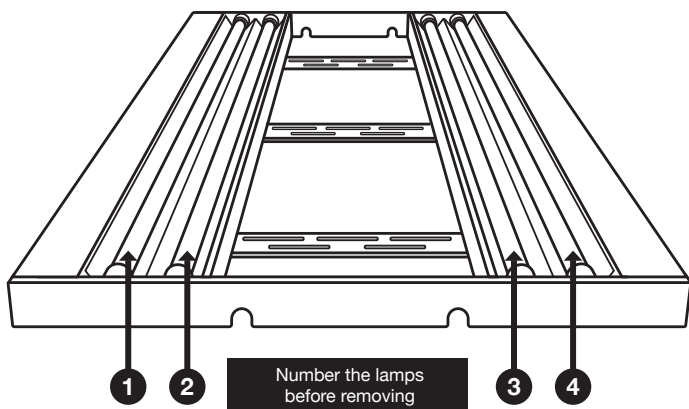
**PROBLEM:** One side of the Hybrid Fixture is not working.

**99.9% of the time when one side of the Hybrid fixture is not working, it is a lamp issue.** Even new lamps can be prone to not working.

The HEP® brand ballasts used in the Hybrid fixtures include an end-of-life protection feature. This means if one of the lamps isn't firing properly, it will stop the ballast from working. This feature prevents the lamp from overheating and possibly causing a fire.

#### FOLLOW THESE STEPS IF ONE FIXTURE IS NOT WORKING:

- 1) Unplug both sides of the Hybrid fixture and turn it over so you can see the lamps.
- 2) Number the silver ends of the lamps with a permanent marker (1, 2, 3, 4).



- 3) Plug in both sides of the Hybrid fixture and make a note of which number lamps are not working.
- 4) Unplug the two fixtures swap the lamps between the working side with the non-working side. Make sure to move them as a pair.

**NOTE: It is important to unplug the fixture to reset the end-of-life protection in the ballast.**

- 5) Plug in the fixture that was not working. It should now be working.

The ballasts used in the Hybrid fixture are a "Series" type, meaning that if one lamp is bad, both lamps will not work in the fixture.

You can now try different combinations of the numbered (1, 2, 3, 4) lamps to determine which lamp(s) is bad.

All HEP ballasts are tested in every fixture prior to boxing and shipping. If you need additional support, please contact Customer Service at [customersupport@aquaticlife.com](mailto:customersupport@aquaticlife.com)

### UNIT MAINTENANCE

Turn off the power to the T5HO Fixture and LED Fixtures and unplug the fixtures. Wipe the housing with a clean moist/semi dry cloth to remove dust, salt and other debris that may build-up on the fixture.

### PRODUCT REGISTRATION

Thank you for purchasing an Aquatic Life product - we know you'll enjoy it!

#### BENEFITS OF REGISTRATION:

##### Confirmation of Ownership

Provides a record in the event you need to contact us about your product in the future.

##### Your Safety

Allows us to contact you with important product notifications.

##### Improved Product Support

Helps us continue to tailor our products and services to meet your needs.

#### Register Online at [www.aquaticlife.com](http://www.aquaticlife.com)

Lifetime Products is committed to reducing our carbon footprint and we appreciate your time in registering electronically.

### LIMITED WARRANTY

Aquatic Life warrants that this product (excluding lamps and media) shall be free from defective electrical components and leaks or cracks due to defects in materials or workmanship for a period of twelve (12) months from the date of purchase. If a defect is shown, Aquatic Life will, at Aquatic Life's sole discretion, either repair or replace the product without charge. No cash refunds will be made. This warranty is provided solely to the original consumer purchaser of the product and may not be transferred or assigned.

This warranty does not apply to damage resulting from accident, misuse, abuse, lack of reasonable care, failure to follow safety and installation instructions, use of the product with non-standard electrical service, or any other defect not resulting from defects in the electrical components of the product or defects in materials or workmanship. This warranty will not be effective unless and until the Aquatic Life product is shown to have been used in accordance with the safety and installation instructions accompanying the product.

THIS CONSTITUTES AQUATIC LIFE'S ENTIRE WARRANTY AND AQUATIC LIFE MAKES NO OTHER WARRANTIES, WHETHER EXPRESS OR IMPLIED, WITH RESPECT TO THE PRODUCT. AQUATIC LIFE, LLC SPECIFICALLY DISCLAIMS ANY AND ALL IMPLIED WARRANTIES, INCLUDING, WITHOUT LIMITATION, WARRANTIES OF MERCHANTABILITY AND FITNESS FOR A PARTICULAR PURPOSE. IF AQUATIC LIFE, LLC CANNOT LAW FULLY DISCLAIM IMPLIED WARRANTIES UNDER THIS LIMITED WARRANTY, ALL SUCH WARRANTIES, INCLUDING WARRANTIES OF MERCHANTABILITY AND FITNESS FOR A PARTICULAR PURPOSE ARE LIMITED IN DURATION TO THE DURATION OF THIS WARRANTY. AQUATIC LIFE IS NOT RESPONSIBLE FOR DIRECT, SPECIAL, INCIDENTAL OR CONSEQUENTIAL DAMAGES RESULTING FROM ANY BREACH OF WARRANTY OR CONDITION, OR UNDER ANY OTHER LEGAL THEORY. AQUATIC LIFE EXPRESSLY DISCLAIMS ALL ALLEGED DAMAGES FOR LOSS OF MARINE LIFE, PERSONAL INJURY, AND/OR PROPERTY DAMAGE.

Some states and provinces do not allow the exclusion or limitation of incidental or consequential damages or exclusions or limitations on the duration of implied warranties or conditions, so the above limitations or exclusions may not apply to you. This warranty gives you specific legal rights, and you may also have other rights that vary by state or province.

Aquatic Life shall not have any obligations under this warranty unless the owner notifies Aquatic Life in writing of any alleged defect(s) within 30 days of discovery of the defect(s). Any notice to Aquatic Life must be delivered by United States or electronic mail to the following address:

**Aquatic Life | 9710 Klingerman St. | S El Monte, CA | 91733**

**Email: [customersupport@aquaticlife.com](mailto:customersupport@aquaticlife.com)**

Aquatic Life & HEP are trademarks of their respective owners.

© Lifetime Products LLC

Patented