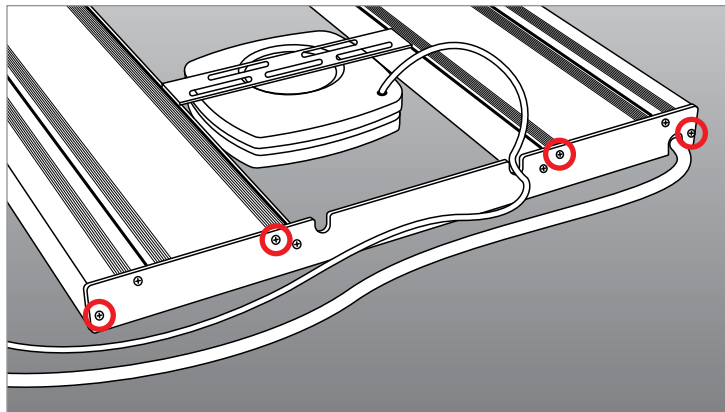


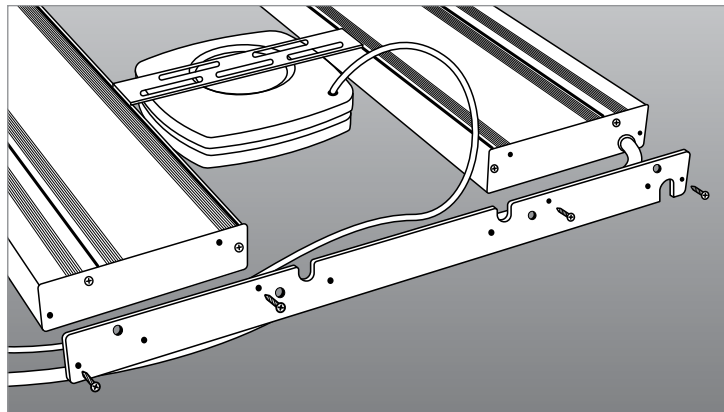
# T5HO Hybrid Fixtures Décor Endcap Installation Guide

Item#	Description
470554	16" Décor Endcap (Pair) BLK
470555	18" Décor Endcap (Pair) BLK
470556	24" Décor Endcap (Pair) BLK

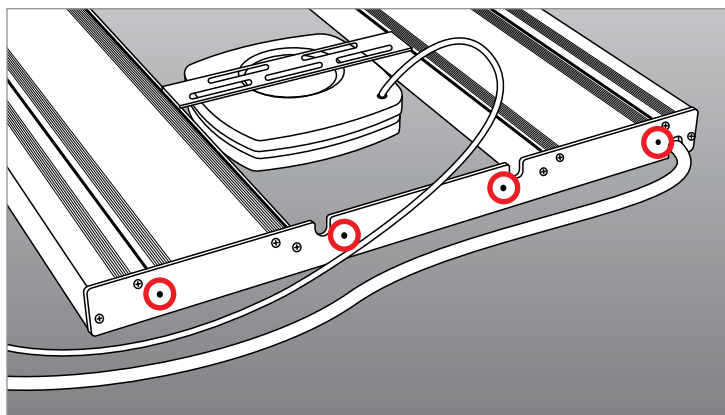
WATCH THE VIDEO  
<http://qrs.ly/4z75nup>



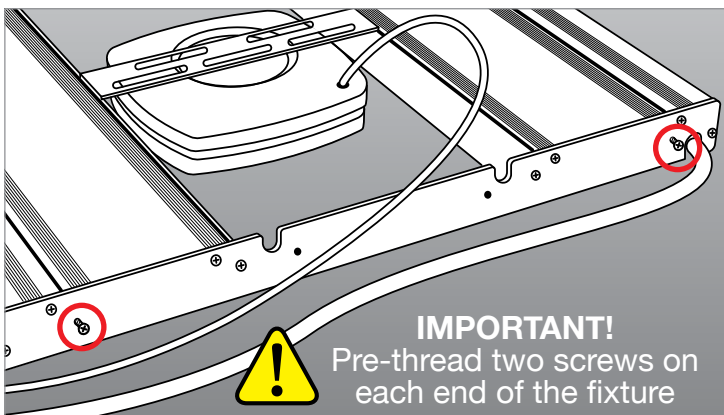
**1** Remove four Philips screws to remove the original endplate.



**2** Install the new endplate using the same four screws that were removed.

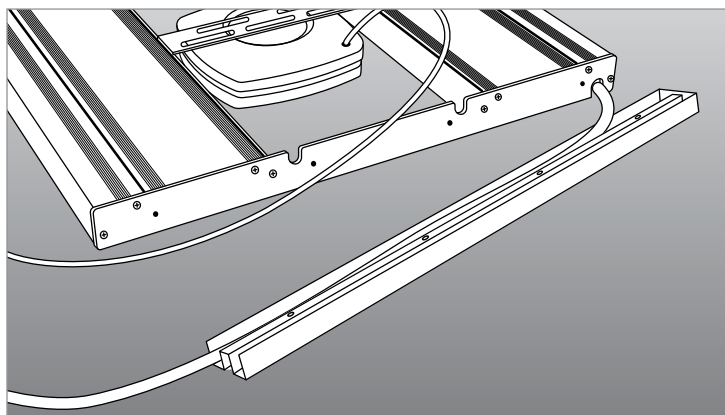


**3** The new endplate has four additional holes. The two outer holes will accommodate the sheet metal screws. The two inner holes will use the screws with nuts.

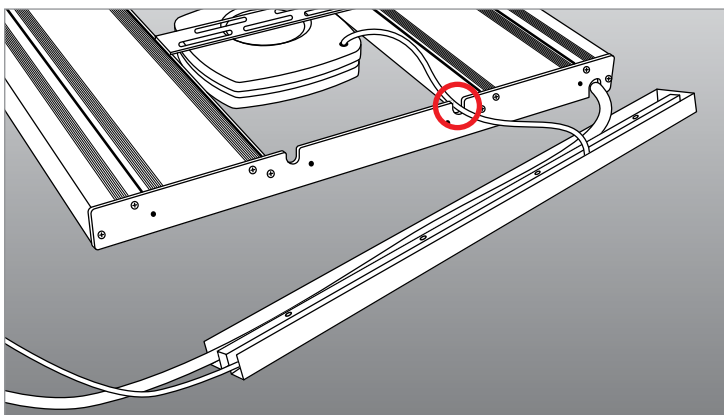


**IMPORTANT!**  
Pre-thread two screws on each end of the fixture

**4** **IMPORTANT:** Before installing the Décor Endcap, thread each of the outer sheet metal screws into the holes in the new metal endplate. When the screws are halfway into the hole, remove them for next step.



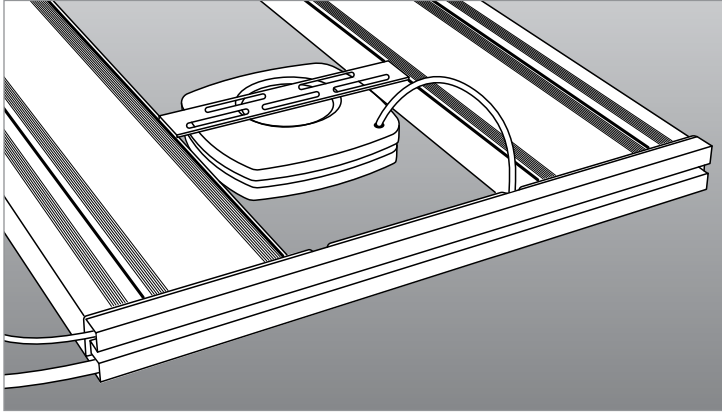
**5** Place the fixture power cord in the lower channel and the LED cords in the upper channel. The LED cords will route through the "U" cutouts on top of the endplate..



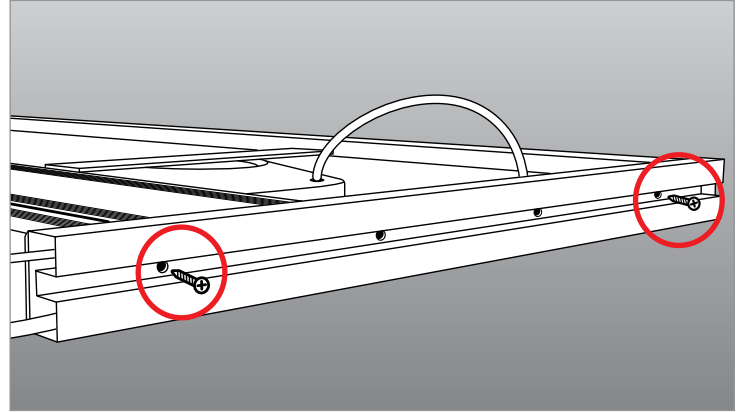
T5HO Hybrid Fixtures  
**Décor Endcap Installation Guide**

Item#	Description
470554	16" Décor Endcap (Pair) BLK
470555	18" Décor Endcap (Pair) BLK
470556	24" Décor Endcap (Pair) BLK

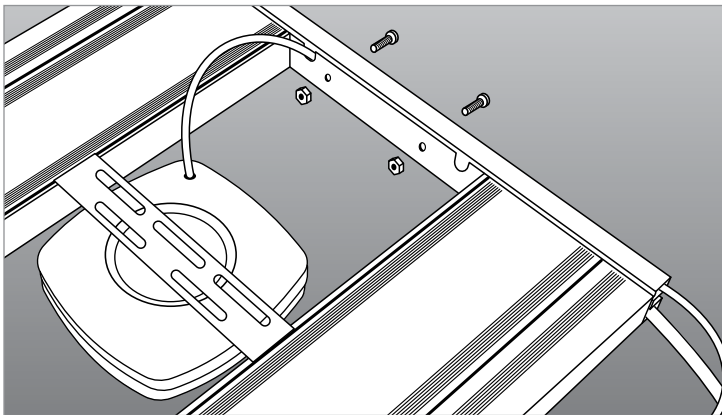
**WATCH THE VIDEO**  
<http://qrs.ly/4z75nup>



**6** Position the décor endcap over the four open holes on the new endplate.



**7** Using the metal (pointed) screws, attach the endcap using the two outer holes. These are the holes that were pre-threaded in step 4.



**8** Place the non-pointed screws in the two middle holes and secure with nuts.

**9** Repeat steps for other end of fixture.