

# Floating Suspension Kit

Installation, Operation & Maintenance Guide

Model# 370627 (Black) & 370628 (White)



Thank you for purchasing the Aquatic Life Floating Suspension hardware for your aquarium light fixture.

When maintained properly, this hardware will provide you with years of service.

This hardware is designed to mount on the wall behind your aquarium and make it easy to hang your light fixture over the aquarium. Compatible light fixtures include the Aquatic Life Hybrid, G2 Hybrid and DX18 models. Other fixtures may be compatible, but please check compatibility prior to installation.

Contents	Qty.
Cantilever Wall Brackets (A)	2
Suspension Cables with Threaded Ends (B)	2
Fixture to Bracket Connectors (C)	2
Wire Cable Screw Clamps (D)	2
Wire Cable Management Slides (E)	4
Level (F)	1
Mounting Screws (G)	6
Bracket Extension (H)	2
Bracket Extension Screws (I)	4
Instruction Guide	1

### Tools Recommended for Installation

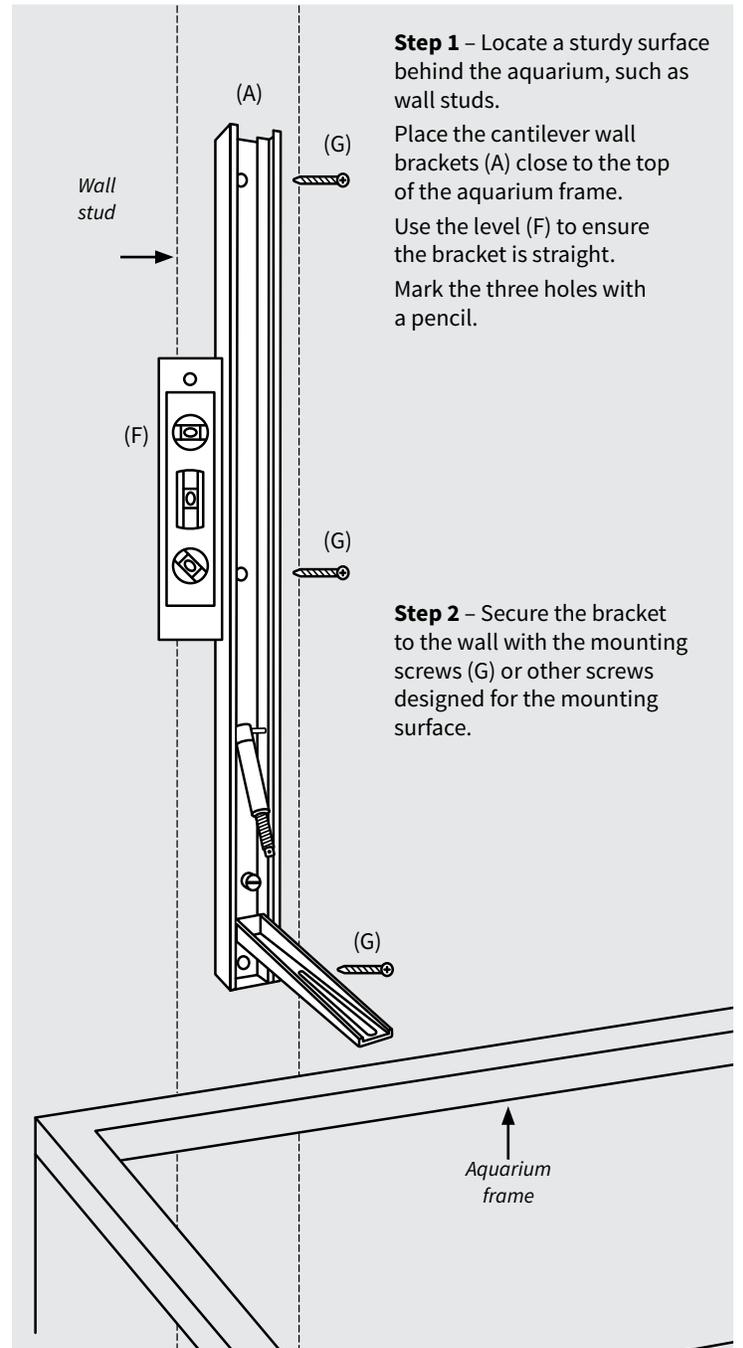
Phillips Screwdriver	Flathead Screwdriver
Pencil	Drill

**IMPORTANT!**

Each Cantilever Wall Bracket is rated to hold 12 lbs. One pair of brackets can safely suspend a 24 lb. light fixture. Total your Hybrid and LED fixture weight to determine how many brackets are required for your installation.

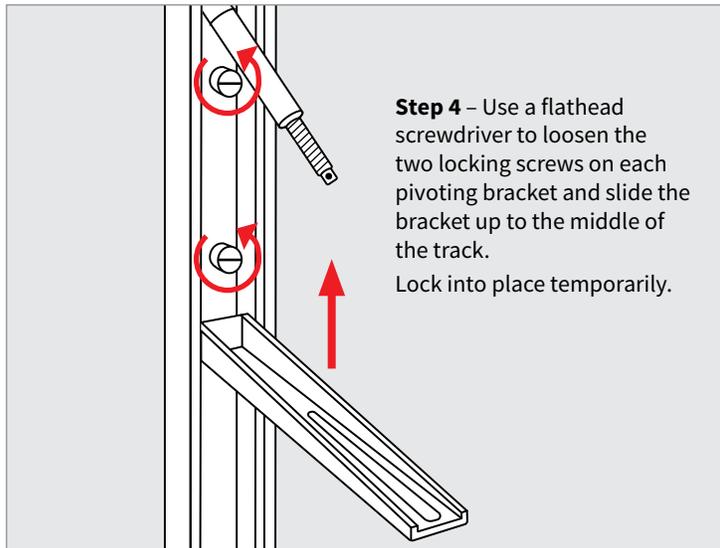
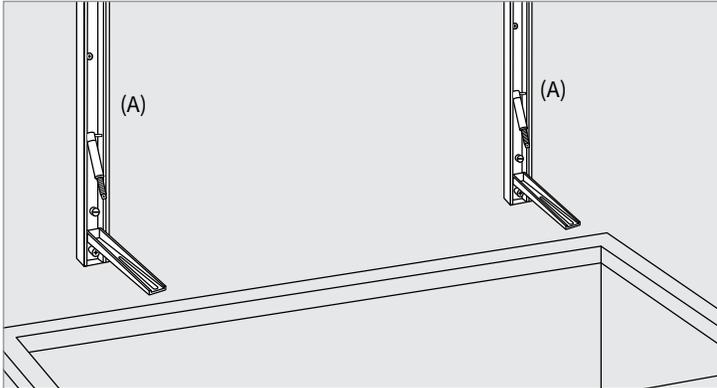
The Floating Suspension is NOT designed to turn your light fixture into a shelf. NEVER lean on or place items on top of a suspended fixture. Do not allow pets to jump onto or sit on the fixture.

### FLOATING SUSPENSION INSTALLATION

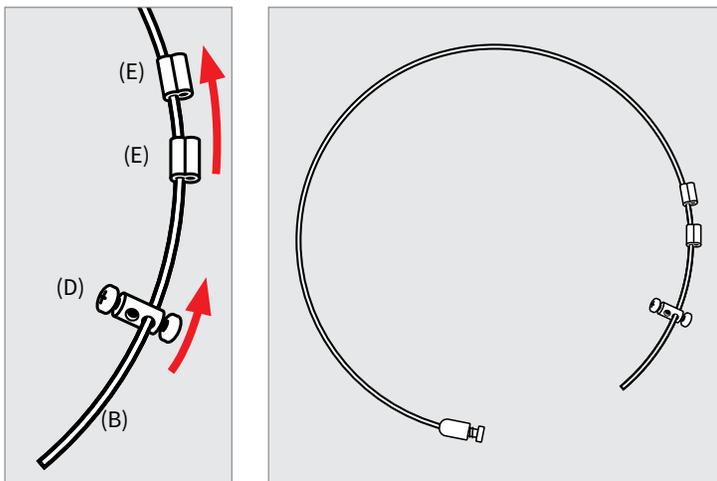


## INSTALLATION (cont.)

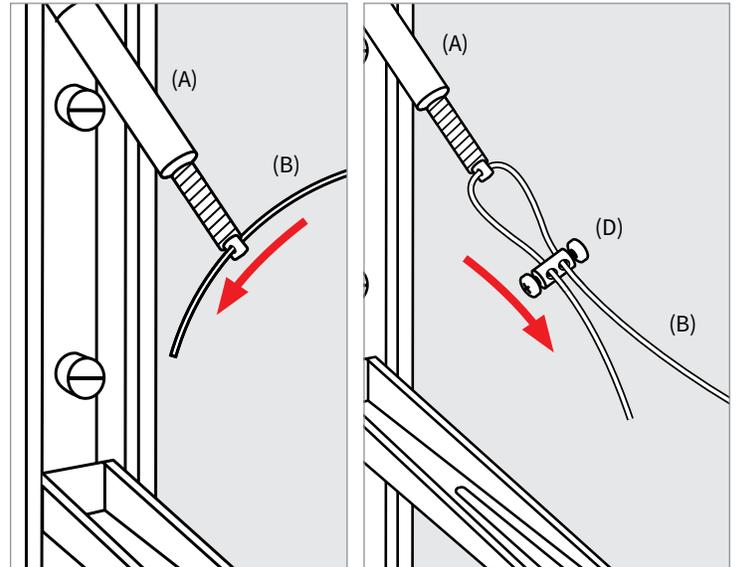
**Step 3** – Repeat steps 1 & 2 to mount the second bracket on the other side of the aquarium.



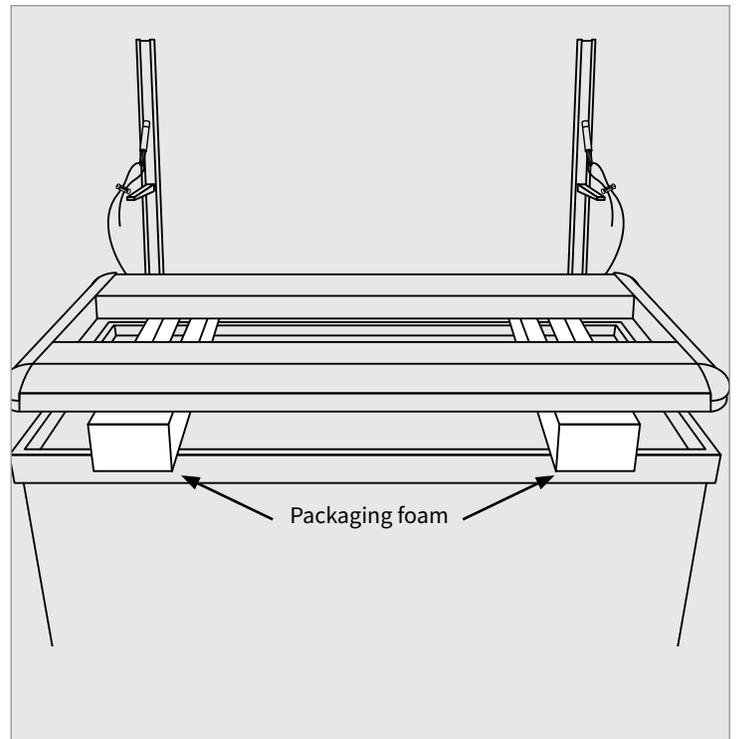
**Step 5** – Thread two wire cable management slides (E) followed by one wire cable screw clamp (D) onto each suspension cable (B).



**Step 6** – Thread each suspension cable (B) through the eyelet of pivoting arm on the cantilever wall bracket (A), then through the wire screw clamp (D) to form a loop. Tighten the screws to hold the cable in place. Make sure there is plenty of slack in the cable.

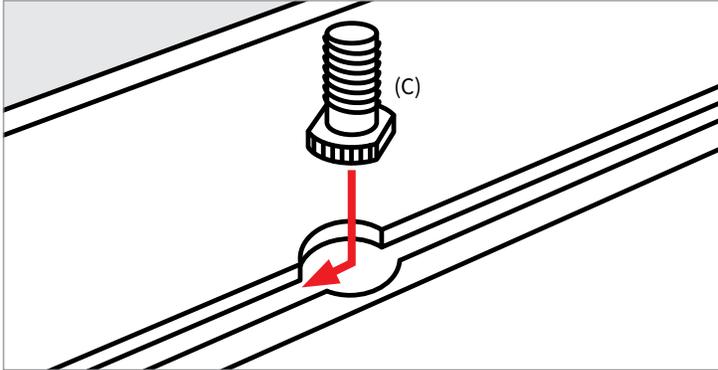


**Step 7** – Place two pieces of the light fixture packaging foam on top of the aquarium frame and use those to support the fixture over the aquarium.

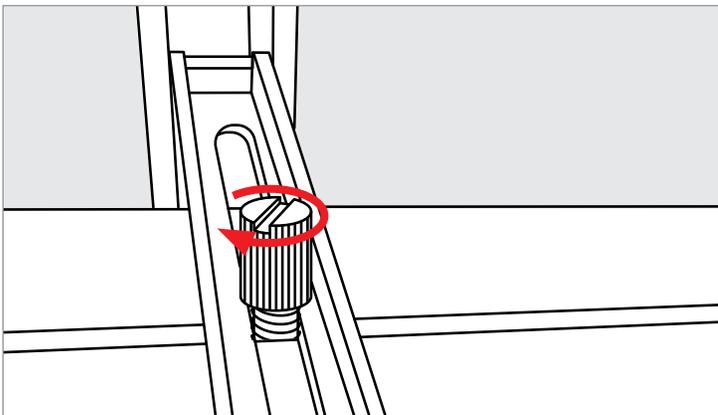
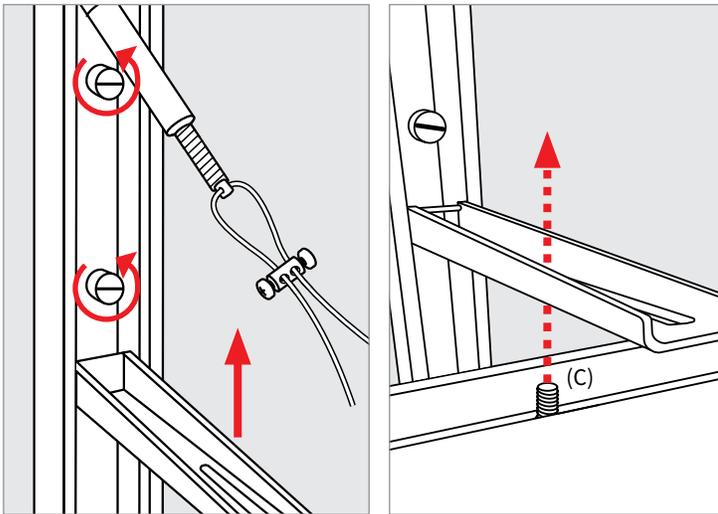


## INSTALLATION (cont.)

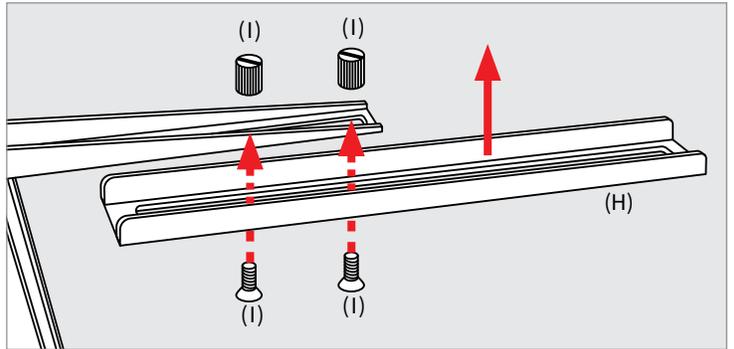
**Step 8** – Remove the screw from each fixture to bracket connector (C) and slide it into the channel closest to the brackets.



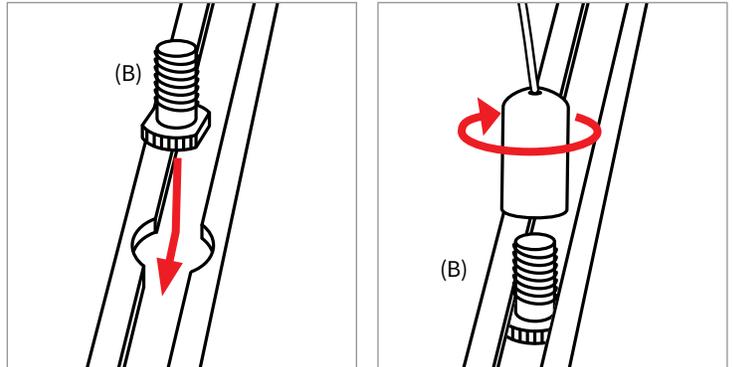
**Step 9** – Loosen the two locking screws on each pivoting bracket with a flathead screwdriver and slide the bracket to the top of the fixture. Center the fixture over the aquarium and place the bracket over the screw. Reconnect the fixture to bracket connector using the flathead screwdriver.



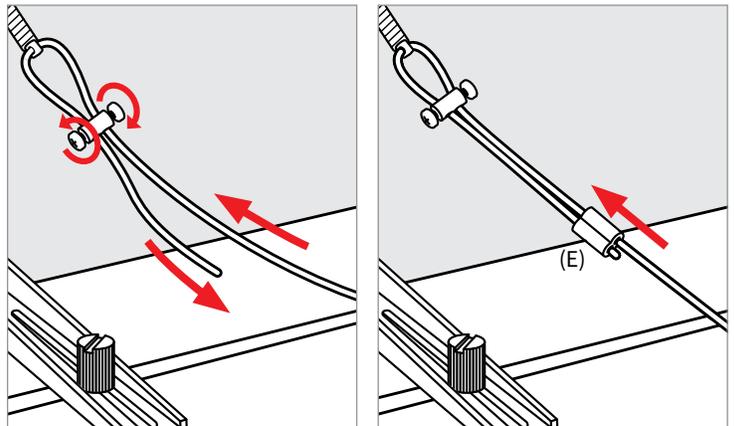
**NOTE:** Use the extension brackets to position the fixture 4.25 to 8.5 inches off the wall.  
Attach Extension Bracket (H) to the pivoting bracket using the included screws (I). Position the fixture over the aquarium where desired and tighten screws.



**Step 10** – Remove the screws from the end of the suspension cables and slide the screws through the channels closest to the front of the fixture. Attach each suspension cable to the screw.

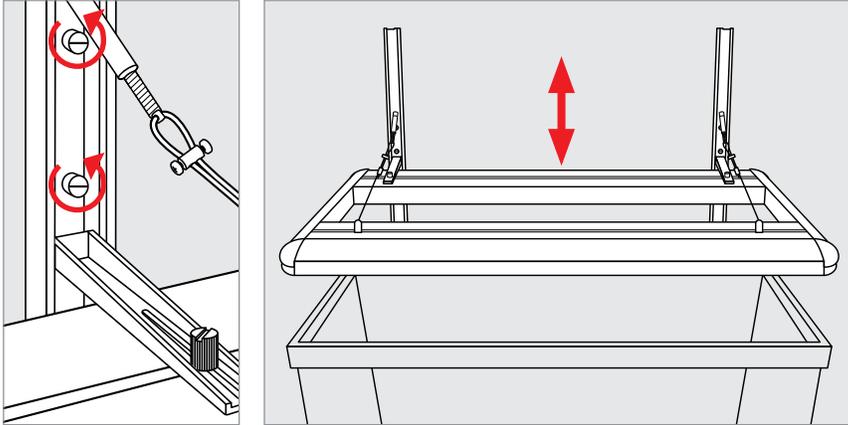


**Step 11** – Loosen the screws on the wire screw clamp with a Phillips screwdriver, and pull the cable tight. Tighten the screws and position the wire cable management slides (E) so they hold the excess cable neatly in place.



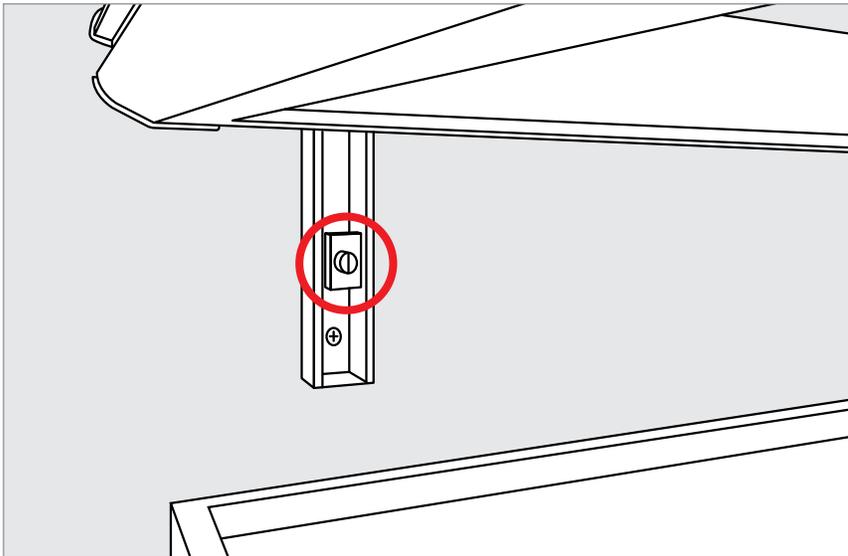
## OPERATION

To adjust the height of the fixture over the aquarium, loosen the two screws on each bracket with the flathead screwdriver. Raise or lower the fixture as needed and secure by tightening the screws.



**NOTE:** The Cantilever Wall Brackets are designed to hold the weight of the fixture. The Suspension Cables are designed for additional support.

A safety stop is included with each wall bracket. The safety stop is designed to catch the fixture if it is not properly secured. This will prevent the fixture from ever contacting the top of the aquarium.



**TIP:** Use the level to also make sure the fixture is level over the aquarium.

## UNIT MAINTENANCE

Wipe the Floating Suspension hardware with a clean moist/semi dry cloth to remove dust, salt and other debris that may build-up on the hardware.

## PRODUCT REGISTRATION

Register Online at [www.aquaticlife.com](http://www.aquaticlife.com)

## CUSTOMER SUPPORT

[customersupport@aquaticlife.com](mailto:customersupport@aquaticlife.com)

## LIMITED WARRANTY

Aquatic Life warrants that this product shall be free from defective components due to defects in materials or workmanship for a period of twelve (12) months from the date of purchase. If a defect is shown, Aquatic Life will, at Aquatic Life's sole discretion, either repair or replace the product without charge. No cash refunds will be made. This warranty is provided solely to the original consumer purchaser of the product and may not be transferred or assigned.

This warranty does not apply to damage resulting from accident, misuse, abuse, lack of reasonable care, failure to follow safety and installation instructions, use of the product with non-standard electrical service, or any other defect not resulting from defects in the electrical components of the product or defects in materials or workmanship. This warranty will not be effective unless and until the Aquatic Life product is shown to have been used in accordance with the safety and installation instructions accompanying the product.

THIS CONSTITUTES AQUATIC LIFE'S ENTIRE WARRANTY AND AQUATIC LIFE MAKES NO OTHER WARRANTIES, WHETHER EXPRESS OR IMPLIED, WITH RESPECT TO THE PRODUCT. AQUATIC LIFE, LLC SPECIFICALLY DISCLAIMS ANY AND ALL IMPLIED WARRANTIES, INCLUDING, WITHOUT LIMITATION, WARRANTIES OF MERCHANTABILITY AND FITNESS FOR A PARTICULAR PURPOSE. IF AQUATIC LIFE, LLC CANNOT LAW FULLY DISCLAIM IMPLIED WARRANTIES UNDER THIS LIMITED WARRANTY, ALL SUCH WARRANTIES, INCLUDING WARRANTIES OF MERCHANTABILITY AND FITNESS FOR A PARTICULAR PURPOSE ARE LIMITED IN DURATION TO THE DURATION OF THIS WARRANTY. AQUATIC LIFE IS NOT RESPONSIBLE FOR DIRECT, SPECIAL, INCIDENTAL OR CONSEQUENTIAL DAMAGES RESULTING FROM ANY BREACH OF WARRANTY OR CONDITION, OR UNDER ANY OTHER LEGAL THEORY. AQUATIC LIFE EXPRESSLY DISCLAIMS ALL ALLEGED DAMAGES FOR LOSS OF MARINE LIFE, PERSONAL INJURY, AND/OR PROPERTY DAMAGE.

Some states and provinces do not allow the exclusion or limitation of incidental or consequential damages or exclusions or limitations on the duration of implied warranties or conditions, so the above limitations or exclusions may not apply to you. This warranty gives you specific legal rights, and you may also have other rights that vary by state or province.

Aquatic Life shall not have any obligations under this warranty unless the owner notifies Aquatic Life in writing of any alleged defect(s) within 30 days of discovery of the defect(s). Any notice to Aquatic Life must be delivered by United States or electronic mail to the following address:

Aquatic Life | 9710 Klingerman St. | S El Monte, CA | 91733  
Email: [customersupport@aquaticlife.com](mailto:customersupport@aquaticlife.com)

Aquatic Life is a registered trademark of Lifetime Products LLC.