

INSTALLATION & MAINTENANCE GUIDE

EXPANDABLE LED LIGHT FIXTURES

Item #	Product Description
420243	Light 24 IN 9.6W 460nm Expandable
420245	Light 36 IN 15W 460nm Expandable
420247	Light 48 IN 21.6W 460nm Expandable
420244	Light 24 IN 9.6W 10K/460nm Expandable
420246	Light 36 IN 15W 10K/460nm Expandable
420248	Light 48 IN 21.6W 10K/460nm Expandable



TABLE OF CONTENTS



This symbol indicates “**WARNINGS**” that are essential in order to protect against injury to people or damage to equipment.



This symbol indicates “**NOTES**” that are specific instructions on how to operate, control, adjust or maintain the units.



This symbol indicates “**TIPS**” that are intended to offer helpful advice for a better user experience.

Safety Instructions	3
Warnings	3
Grounding	3
Parts & Specifications	4
Parts Diagram	4
Product Specifications	4
Installation	5
Packaging	5
Aquarium Frame Mounts	5
Multiple Fixtures	6
Power	6
Suspension System	7
Maintenance	9
Product Registration & Warranty	10

Thank you for purchasing an AquaticLife™ Light Fixture for use with your aquarium!

We know you value quality and innovation and will be pleased with this product's performance.

We encourage you to take a few minutes to become familiar with this manual and note items that apply to your particular model. For additional information, please visit www.aquaticlife.com.

Your purchase includes a coupon on the side of the box. Save Life Rewards™ point coupons from Aquatic Life products and redeem them for free merchandise at www.aquaticlife.com. This is our way of saying thank you for your loyalty.



Copyright © Aquatic Life, LLC
All rights reserved.

No part of this document may be reproduced, stored in a retrieval system, or transmitted in any form or by any means without the prior written consent of Aquatic Life, LLC.

Aquatic Life, LLC
Commerce, CA 90040
Toll-Free US only: (888) 548-3480
Outside the US: 1-818-768-6943
customersupport@aquaticlife.com

Check us out on...

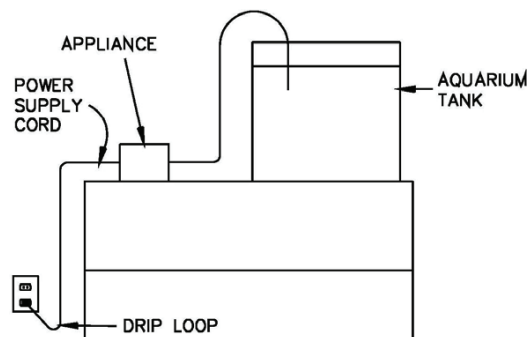




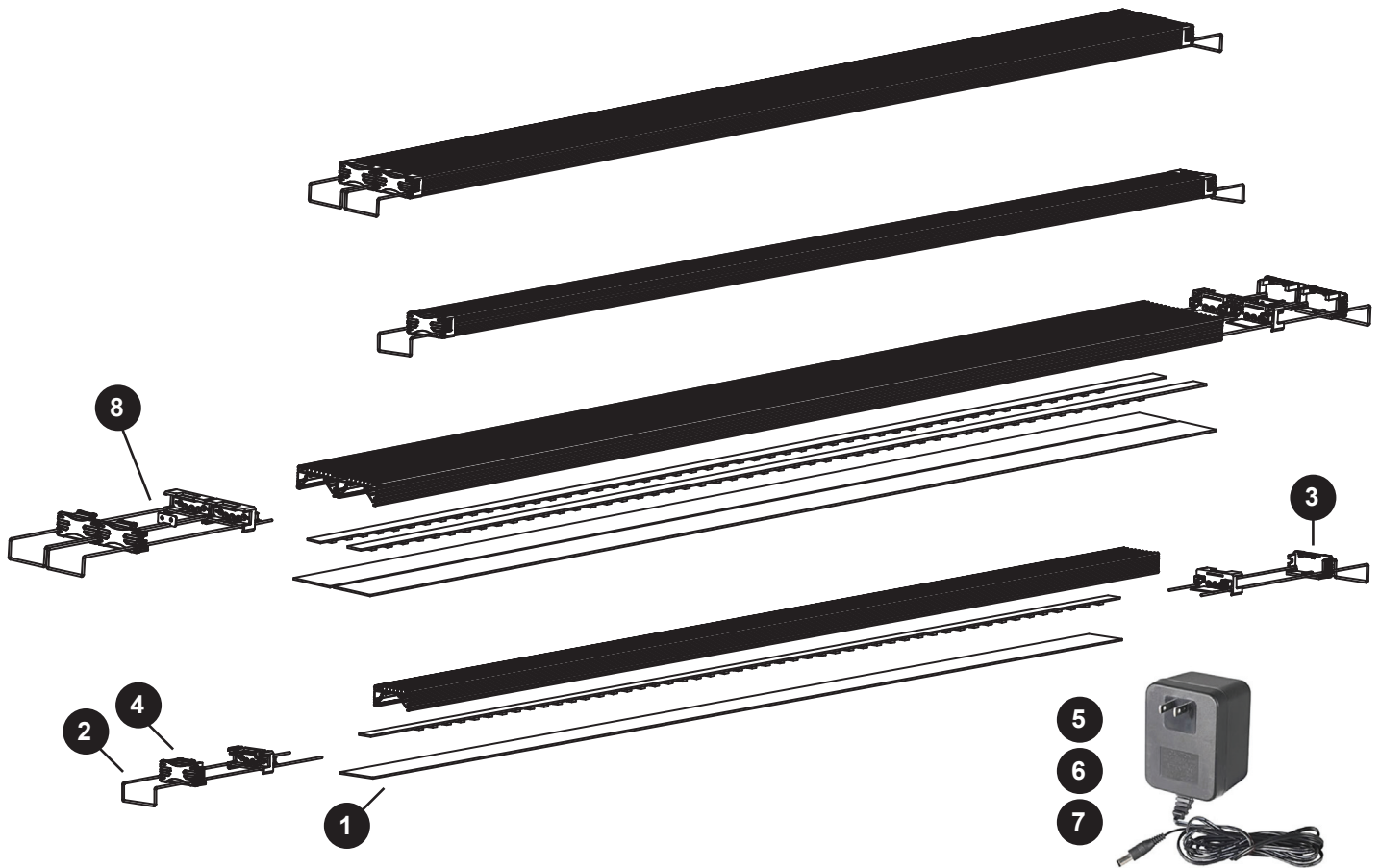
WARNING

TO GUARD AGAINST INJURY, BASIC PRECAUTIONS SHOULD BE OBSERVED, INCLUDING THE FOLLOWING:

- A) **READ AND FOLLOW ALL SAFETY INSTRUCTIONS.**
- B) **DANGER** – To avoid possible electric shock, special care should be taken since water is employed in the use of aquarium equipment. For each of the following situations, do not attempt repairs by yourself; return the appliance to an authorized service facility for service or discard the appliance:
- 1) If the appliance falls into the water, DON'T reach for it! First unplug it and then retrieve it. If electrical components of the appliance get wet, unplug the appliance immediately. (Non-immersible equipment only)
 - 2) If the appliance shows any sign of abnormal water leakage, immediately unplug it from the power source. (Immersible equipment only)
 - 3) Carefully examine the appliance after installation. It should not be plugged in if there is water on parts not intended to be wet.
 - 4) Do not operate any appliance if it has a damaged cord or plug, or if it is malfunctioning or has been dropped or damaged in any manner.
 - 5) To avoid the possibility of the appliance plug or receptacle getting wet, position aquarium stand and tank to one side of a wall-mounted receptacle to prevent water from dripping onto the receptacle or plug. A "drip loop," shown in the figure below, should be arranged by the user for each cord connecting an aquarium appliance to a receptacle. The "drip loop" is that part of the cord below the level of the receptacle, or the connector if an extension cord is used, to prevent water traveling along the cord and coming in contact with the receptacle. If the plug or receptacle does get wet, DON'T unplug the cord. Disconnect the fuse or circuit breaker that supplies power to the appliance. Then, unplug and examine for presence of water in the receptacle.
- C) Close supervision is necessary when any appliance is used by or near children.
- D) To avoid injury, do not contact moving parts or hot parts such as heaters, reflectors, lamp bulbs, and the like.
- E) Always unplug an appliance from an outlet when not in use, before putting on or taking off parts, and before cleaning. Never yank the cord to pull the plug from outlet. Grasp the plug and pull to disconnect.
- F) Do not use an appliance for other than intended use. The use of attachments not recommended or sold by the appliance manufacturer may cause an unsafe condition.
- G) Do not install or store the appliance where it will be exposed to the weather or to temperatures below freezing.
- H) Make sure an appliance mounted on a tank is securely installed before operating it.
- I) Read and observe all the important notices on the appliance.
- J) If an extension cord is necessary, a cord with a proper rating should be used. A cord rated for less amperes or watts than the appliance rating may overheat. Care should be taken to arrange the cord so that it will not be tripped over or pulled.
- K) For added safety, the appliance must be plugged into a receptacle controlled by a GFCI (ground fault interrupter) circuit breaker. The device must be properly connected to a grounded three-prong receptacle.
- L) This appliance is intended FOR HOUSEHOLD USE ONLY.
- M) This Light Fixture is required to be used over a covered aquarium. A glass top or protective barrier is required to minimize the fixture's exposure to water.
- N) **SAVE THESE INSTRUCTIONS**



PARTS DIAGRAM



Parts List

	24 in	36 in	48 in
① Lens Cover Acrylic Exp LED	9000450	9000451	9000452
② Aquarium Frame Mounts Exp LED (2 PK)	9000453	9000453	9000453
③ End Plate Exp LED (power cord side)	9000454	9000454	9000454
④ End Plate Exp LED (suspension clip side)	9000455	9000455	9000455
⑤ Transformer 12V Fixture 9.6W	9000456	n/a	n/a
⑥ Transformer 12V Fixture 15W	n/a	9000457	n/a
⑦ Transformer 12V Fixture 21.6W	n/a	n/a	9000458
⑧ Link Hardware Exp LED (4 bars, 8 screws)	9000459	9000459	9000459

Product Specifications

	24 in	36 in	48 in
Rated Voltage:	120 Volt AC		
Rated Cycle:	60Hz		
Power Cord	2 Meters		
Dimensions without Aquarium Frame Mounts: (L x W x H)	22.8 x 1.4 x 0.7 in 579 x 3.6 x 1.8 cm	34.7 x 1.4 x 0.7 in 88.1 x 3.6 x 1.8 cm	46.5 x 1.4 x 0.7 in 1181 x 3.6 x 1.8 cm



NOTE: Tools only required for installation of two or more fixtures
Philips #2 Screwdriver

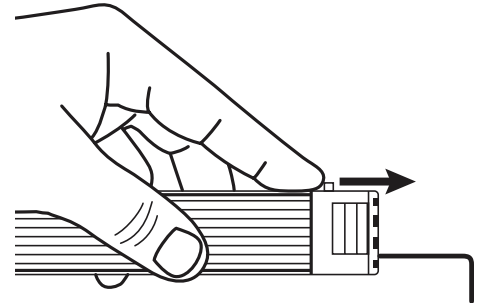


TIP: Use a large towel under the fixture while removing the shipping materials to avoid scratching the fixture.

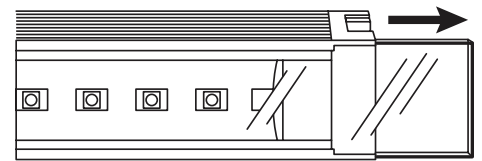
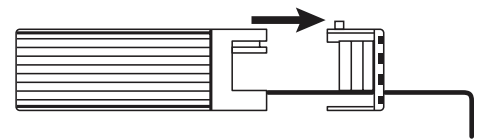
PACKAGING

The Aquatic Life LED Light Fixture is shipped completely assembled; however, the Acrylic Lens Covers protective film will need to be removed prior to operation. Place the light fixture on a surface that will not mar or scratch the fixture.

- 1) Remove the non powered End Plate from the fixture (including Aquarium Frame Mounts).



- 2) After the End Plate is removed, pull the Lens Cover from the fixture.

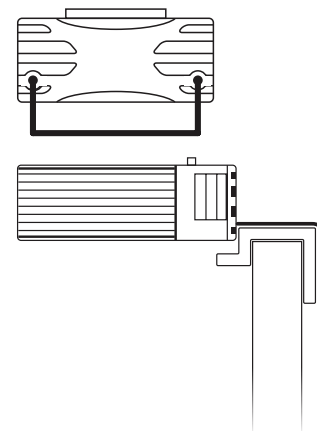


- 3) Acrylic scratches easily and your new fixture includes a plastic film on the Acrylic Lens Cover to protect it during shipping. Peel the protective film off both sides of the Acrylic Lens Cover.



AQUARIUM FRAME MOUNTS

- 1) The Aquarium Frame Mounts can be adjusted by pulling the Aquarium Frame Mounts out of the ends of the fixture. We suggest a maximum of 1" on each end of the fixture.
- 2) The Aquarium Frame Mounts should be adjusted so that the end of the Frame Mount rests over the edge of the aquarium.
- 3) The power cord should be positioned toward the back of the aquarium.



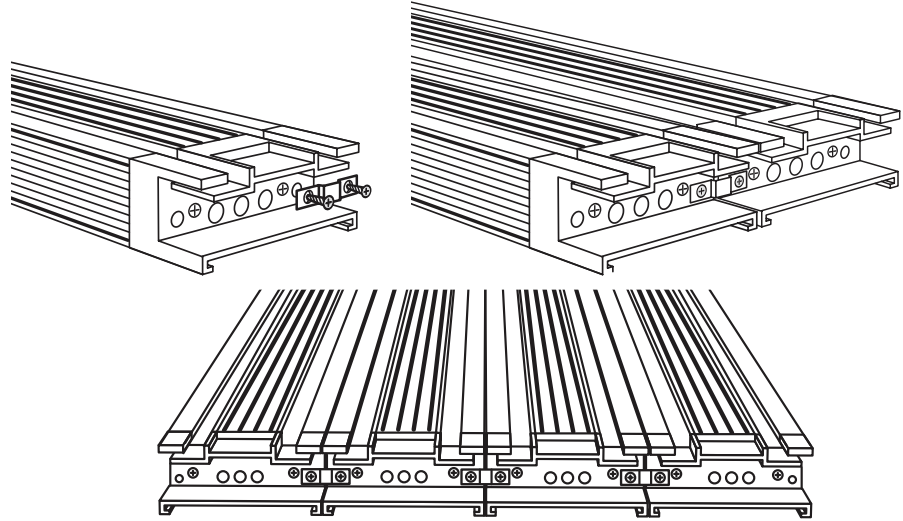
LED LIGHT FIXTURES INSTALLATION

MULTIPLE FIXTURES

Tools required for installation:
Phillips #2 Screwdriver



NOTE: Prior to connecting multiple light fixtures, remove all packaging materials from the fixtures. Also remove the Aquarium Frame Mounts.



NOTE: Make sure to route the power cord through the hole in the End Plate.



NOTE: The removable tab on the plastic End Plate(s) will need to be removed to route the power cords through the End Plate(s).



NOTE: The Aquatic Life LED Fixture can have up to four fixtures connected together. If connecting four fixtures, refer to the previous instructions to connect the third or fourth fixture.

The Aquatic Life LED Fixture is able to attach to another Aquatic Life LED Fixture. Up to four LED Light Fixtures can be connected together to form a four strip fixture.

- 1) Remove the left and right End Plates from both fixtures.
- 2) Insert the small screws supplied in the left side of the clip and attach to the left fixture.
- 3) Align the attached clip with the right fixture and insert the screw to secure right fixture.
- 4) Repeat steps on the other end of the fixture.
- 5) After Metal Clips are connecting both fixtures (up to four), place the End Plates (non power side) on the fixtures.
- 6) When connecting multiple fixtures together the removable tab on the power cord End Plates will need to be removed to allow the power cords to be routed through the ends of the fixtures.

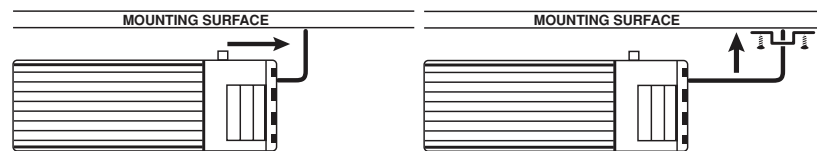


- 7) When End Plates are installed, the Aquarium Frame Mounts can be installed back on the fixture.

POWER

The Aquatic Life LED Light Fixture is equipped with a single power cord. Connect the power cord into a grounded outlet (GFCI). Rock the switch to turn on the light fixture. (Multiple power cords are equipped when connecting multiple fixtures together.)

OPTIONAL SURFACE MOUNTING



- 1) Remove the Aquarium Frame Mounts from the fixture, flip and insert them so that the Wire Frame Mount is facing the top of the fixture.
- 2) Place the included clip over the Wire Frame Mount and secure the clip to the mounting surface using the larger supplied screws.
- 3) Attach the other side of the Wire Frame Mount of the fixture.

LED LIGHT FIXTURES INSTALLATION



NOTE: You can not suspend a single fixture.



WARNING

Suspension hardware should be mounted into a secure surface only. Do not mount hardware directly into drywall/gypsum board or any similar material. Mounting hardware **MUST** be attached with the J hooks and into wood supports that can handle 75 lbs or more.

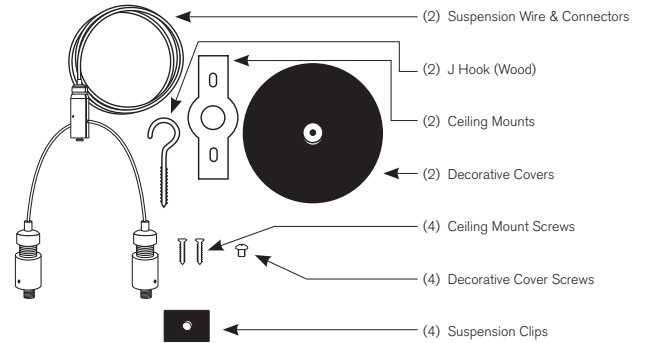


TIP: Aquatic Life recommends the use of a stud finder to locate an appropriate wood support.

SUSPENSION SYSTEM (Optional Accessory, Item # 420147)

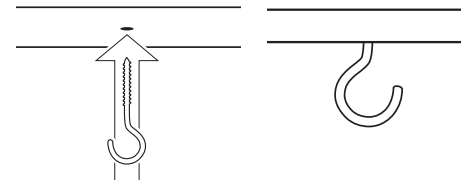
The Aquatic Life LED Fixture can be hung from overhead supports with the optional suspension hardware. The fixture is equipped with Mounting Points on the housing for easy connection.

PARTS LIST



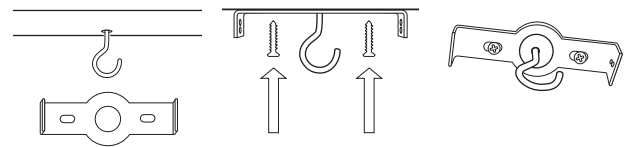
J HOOK

Locate a wood support structure above the aquarium, determine the location for the attachment of the J Hooks and secure the J Hook into the wood.



CEILING MOUNT

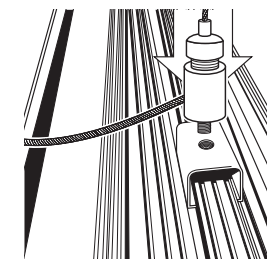
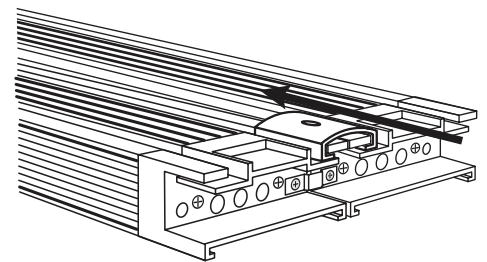
Position the Ceiling Mount over the J Hook and center the J Hook in the center of the Ceiling Mount hole. Use the two Ceiling Mount Screws to secure to surface.



FIXTURE ATTACHMENT

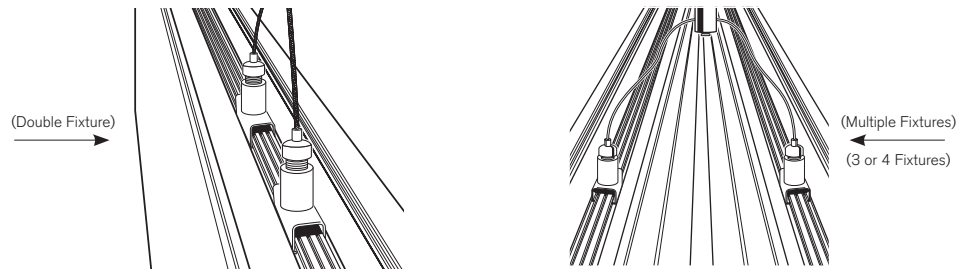
Remove the left End Plate (non power cord side) from the two outside fixtures, and slide two Suspension Clips onto each outside fixture.

Insert one of the two fixture connectors from the suspension wire into the vacant opening on the Suspension Clip. Slide the Suspension Clip to the desired position on the fixture and screw in the connector by turning the connector clockwise. Repeat for the second, third or fourth fixture. Secure the opposite suspension hardware to the fixtures in the same manner.



NOTE: The Suspension Clip will not slide once the connectors are screwed into the clip

FIXTURE ATTACHMENT (CONTINUED)



WARNING: It is extremely important to make sure the anchor is tight and cannot move, this is the part that keeps the light secure to the ceiling.



NOTE: Slide the Decorative Cover down the wire until it meets the top of the Adjustment Hardware above the fixture.

FIXTURE PLACEMENT AND ADJUSTMENT

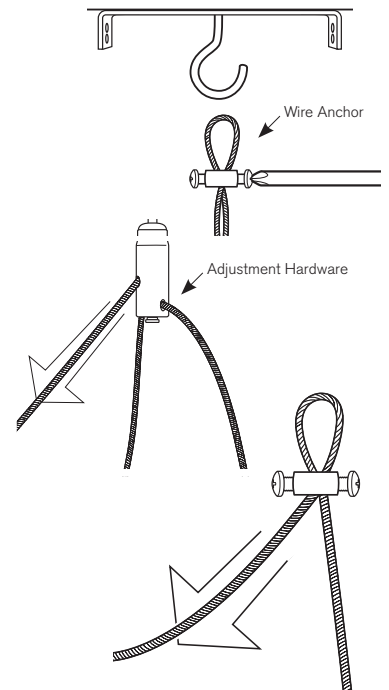
To adjust the height of the fixture above the aquarium, first make sure the wire anchor is tight to the wire and that there is a loop that can be placed over the J Hook in the ceiling.

Place the loop of wire onto the J Hook and allow the wire to suspend from the hook.

Pull any excess wire through the Adjustment Hardware located above the fixture. Level the fixture and measure the amount of extra wire pulled through the Adjustment Hardware. You will need the measurement for the next step in installation.

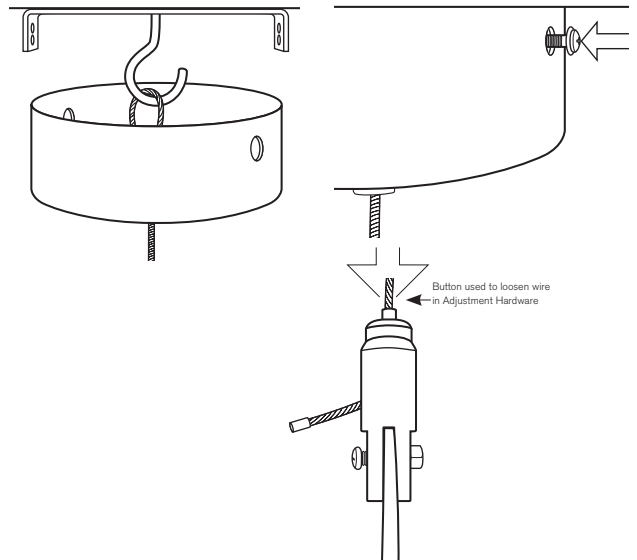
Remove the suspension wires from the J Hooks. Loosen the two screws located in the Wire Anchor so that the wire can slide freely in the anchor. The amount of *extra* wire pulled through the Adjustment Hardware should now be pulled through the wire anchor.

After the *extra* wire is pulled through the Wire Anchor, secure the two screws in the anchor. Place the loop in the suspension wire back over the J Hooks in the ceiling.



DECORATIVE COVER

Pull the Decorative Cover up and over the Ceiling Mount and attach the two Decorative Cover Screws into the side opening. Secure the Cover.



To loosen the wire pulled through the Adjustment Hardware, press the small button that is positioned around the wire at the top of the hardware. Gently pull down on the Adjustment Hardware until the fixture is back to where originally measured.

HOUSING

Unplug the LED Light Fixture and wipe the housing with a clean moist/semi dry cloth to remove dust, salt and other debris that may have built-up on the fixture.



WARNING: The fixture is not waterproof. Do not spray or submerge the fixture.

LENS COVER

Wipe the Acrylic Lens Cover with fresh water or an acrylic cleaner to maintain peak light transmission. If the Lens Cover is allowed to become dirty, it will reduce the amount of light that is emitted into the aquarium.



TIP: Keep the Acrylic Lens Cover and Glass Cover over the aquarium clean to allow maximum light penetration into the aquarium.

REGISTERING YOUR PRODUCT(S) WITH AQUATIC LIFE

Please register your product online at www.aquaticlife.com within 15 days from the date of purchase. Some Aquatic Life products will include a Serial Number. To validate your warranty, the Serial Number must be included for appropriate products.

Product Serial Numbers

Serial Numbers DO NOT contain the letters "UL", "CUL", "CSA", "EN" or "CE". These letters refer to a US, Canadian and European Standards for that product. If you need help locating the Serial Number for your product, please visit our website at www.aquaticlife.com or call Aquatic Life at 1-888-548-3480.

LIMITED WARRANTY

Aquatic Life, LLC warrants that this Light Fixture shall be free from defective electrical components and leaks or cracks due to defects in materials or workmanship for a period of twelve (12) months from the date of purchase. If a defect is shown, Aquatic Life, LLC will, at Aquatic Life's sole discretion, either repair or replace the product without charge. No cash refunds will be made. This warranty is provided solely to the original consumer purchaser of the product and may not be transferred or assigned.

This warranty does not apply to damage resulting from accident, misuse, abuse, lack of reasonable care, failure to follow safety and installation instructions, use of the product with non-standard electrical service, or any other defect not resulting from defects in the electrical components of the product or defects in materials or workmanship. This warranty will not be effective unless and until the Aquatic Life product is shown to have been used in accordance with the safety and installation instructions accompanying the product.

THIS CONSTITUTES AQUATIC LIFE'S ENTIRE WARRANTY AND AQUATIC LIFE MAKES NO OTHER WARRANTIES, WHETHER EXPRESS OR IMPLIED, WITH RESPECT TO THE PRODUCT. AQUATIC LIFE, LLC SPECIFICALLY DISCLAIMS ANY AND ALL IMPLIED WARRANTIES, INCLUDING, WITHOUT LIMITATION, WARRANTIES OF MERCHANTABILITY AND FITNESS FOR A PARTICULAR PURPOSE. IF AQUATIC LIFE, LLC CANNOT LAWFULLY DISCLAIM IMPLIED WARRANTIES UNDER THIS LIMITED WARRANTY, ALL SUCH WARRANTIES, INCLUDING WARRANTIES OF MERCHANTABILITY AND FITNESS FOR A PARTICULAR PURPOSE ARE LIMITED IN DURATION TO THE DURATION OF THIS WARRANTY.

AQUATIC LIFE IS NOT RESPONSIBLE FOR DIRECT, SPECIAL, INCIDENTAL OR CONSEQUENTIAL DAMAGES RESULTING FROM ANY BREACH OF WARRANTY OR CONDITION, OR UNDER ANY OTHER LEGAL THEORY. AQUATIC LIFE, LLC EXPRESSLY DISCLAIMS ALL ALLEGED DAMAGES FOR LOSS OF MARINE LIFE, PERSONAL INJURY, AND/OR PROPERTY DAMAGE.

Some states and provinces do not allow the exclusion or limitation of incidental or consequential damages or exclusions or limitations on the duration of implied warranties or conditions, so the above limitations or exclusions may not apply to you. This warranty gives you specific legal rights, and you may also have other rights that vary by state or province.

Aquatic Life, LLC shall not have any obligations under this warranty unless the owner notifies Aquatic Life, LLC in writing of any alleged defect(s) within 30 days of discovery of the defect(s). Any notice to Aquatic Life, LLC must be delivered by United States or electronic mail to the following address:

U.S. Mail
Aquatic Life, LLC
2416 W. Victory Blvd, #136
Burbank, CA 91506

Electronic Mail: customersupport@aquaticlife.com

Aquatic Life, LLC shall be allowed a reasonable period of time to investigate any warranty claim and to perform any testing Aquatic Life, LLC deems necessary to determine the cause of the defect. This warranty shall be interpreted under the laws of the State of California.



Bringing the Ocean to You, Wherever You May Be
and Life Rewards are trademarks of
Aquatic Life LLC
Commerce, CA 90040
www.aquaticlife.com

© Copyright Aquatic Life LLC

P/N 9000462 REV 07/11