

INSTALLATION & MAINTENANCE GUIDE

EXPANDABLE 0.5W LED FRESHWATER LIGHT FIXTURES

Item #	Product Description
420269	Light 20 IN 0.5W X 8W Freshwater
420270	Light 24 IN 0.5W X 9.6W Freshwater
420271	Light 30 IN 0.5W X 12W Freshwater
420272	Light 36 IN 0.5W X 15W Freshwater



WELCOME!

Thank you for purchasing an AquaticLife™ Light Fixture for use with your aquarium!

We know you value quality and innovation and will be pleased with this product's performance.

We encourage you to take a few minutes to become familiar with this manual and note items that apply to your particular model. Select parts and accessories can be purchased direct from Aquatic Life for customizing your fixture.

For additional information, please visit www.aquaticlife.com.

Your purchase includes a coupon on the side of the box.

Save Life Rewards™ point coupons from Aquatic Life products and redeem them for free merchandise at www.aquaticlife.com. This is our way of saying thank you for your loyalty.

TABLE OF CONTENTS



This symbol indicates “**WARNINGS**” that are essential in order to protect against injury to people or damage to equipment.



This symbol indicates “**NOTES**” that are specific instructions on how to operate, control, adjust or maintain the units.



This symbol indicates “**TIPS**” that are intended to offer helpful advice for a better user experience.

Safety Instructions	3
Warnings	3
Parts & Specifications	4
Parts Diagram	4
Product Specifications	4
Installation	5
Aquarium Frame Mounts	5
Multiple Fixtures	5
Power	6
Suspension System	6
Maintenance	8
Product Registration & Warranty	9



Copyright © Aquatic Life, LLC
All rights reserved.

No part of this document may be reproduced, stored in a retrieval system, or transmitted in any form or by any means without the prior written consent of Aquatic Life, LLC.

Aquatic Life, LLC

Commerce, CA 90040

Toll-Free US only: (888) 548-3480

Outside the US: 1-818-768-6943

customersupport@aquaticlife.com

Check us out on...



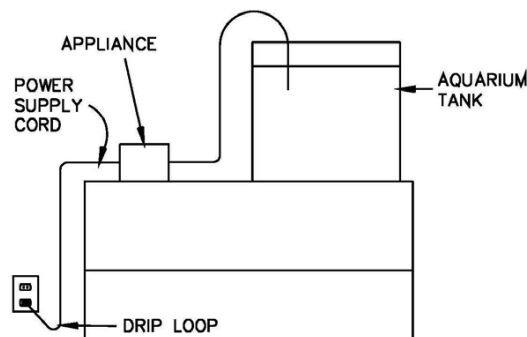
SAFETY INSTRUCTIONS



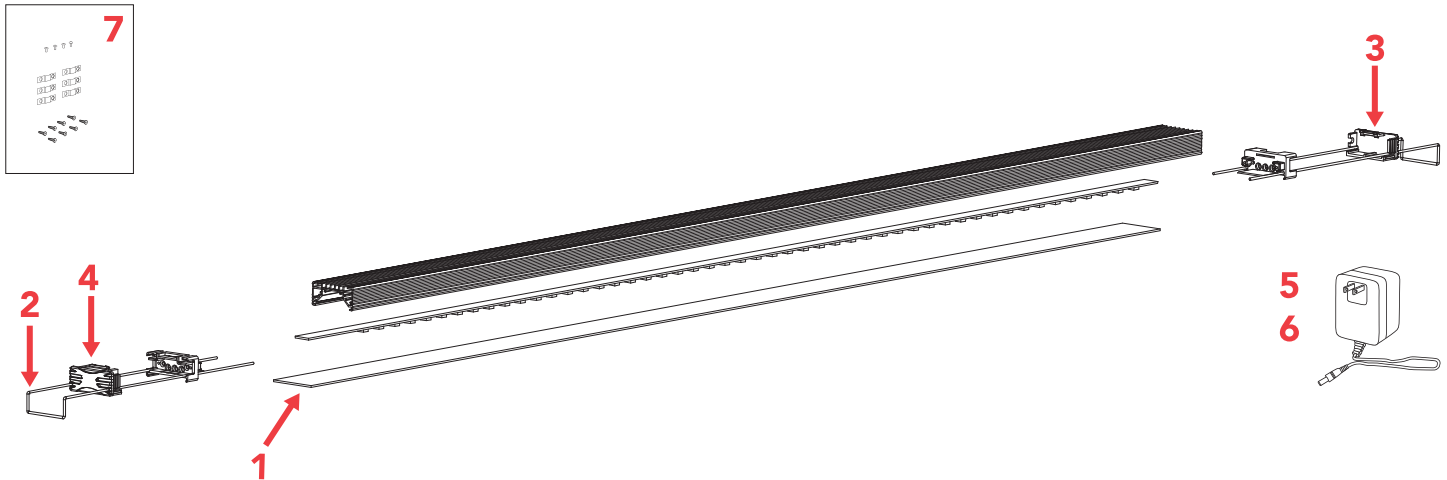
WARNING

TO GUARD AGAINST INJURY, BASIC PRECAUTIONS SHOULD BE OBSERVED, INCLUDING THE FOLLOWING:

- A) **READ AND FOLLOW ALL SAFETY INSTRUCTIONS.**
- B) **DANGER** – To avoid possible electric shock, special care should be taken since water is employed in the use of aquarium equipment. For each of the following situations, do not attempt repairs by yourself; return the appliance to an authorized service facility for service or discard the appliance:
- 1) If the appliance falls into the water, DON'T reach for it! First unplug it and then retrieve it. If electrical components of the appliance get wet, unplug the appliance immediately. (Non-immersible equipment only)
 - 2) If the appliance shows any sign of abnormal water leakage, immediately unplug it from the power source. (Immersible equipment only)
 - 3) Carefully examine the appliance after installation. It should not be plugged in if there is water on parts not intended to be wet.
 - 4) Do not operate any appliance if it has a damaged cord or plug, or if it is malfunctioning or has been dropped or damaged in any manner.
 - 5) To avoid the possibility of the appliance plug or receptacle getting wet, position the aquarium stand and tank to one side of a wall-mounted receptacle to prevent water from dripping onto the receptacle or plug. A "drip loop," shown in the figure below, should be arranged by the user for each cord connecting an aquarium appliance to a receptacle. The "drip loop" is that part of the cord below the level of the receptacle, or the connector if an extension cord is used, to prevent water traveling along the cord and coming in contact with the receptacle. If the plug or receptacle does get wet, DON'T unplug the cord. Disconnect the fuse or circuit breaker that supplies power to the appliance. Then, unplug and examine for presence of water in the receptacle.
- C) Close supervision is necessary when any appliance is used by or near children.
- D) To avoid injury, do not contact moving parts or hot parts such as heaters, reflectors, lamp bulbs, and the like.
- E) Always unplug an appliance from an outlet when not in use, before putting on or taking off parts, and before cleaning. Never yank the cord to pull the plug from outlet. Grasp the plug and pull to disconnect.
- F) Do not use an appliance for other than intended use. The use of attachments not recommended or sold by the appliance manufacturer may cause an unsafe condition.
- G) Do not install or store the appliance where it will be exposed to the weather or to temperatures below freezing.
- H) Make sure an appliance mounted on a tank is securely installed before operating it.
- I) Read and observe all the important notices on the appliance.
- J) If an extension cord is necessary, a cord with a proper rating should be used. A cord rated for less amperes or watts than the appliance rating may overheat. Care should be taken to arrange the cord so that it will not be tripped over or pulled.
- K) For added safety, the appliance must be plugged into a receptacle controlled by a GFCI (ground fault interrupter) circuit breaker. The device must be properly connected to a grounded three-prong receptacle.
- L) This appliance is intended FOR HOUSEHOLD USE ONLY.
- M) This Light Fixture is required to be used over a covered aquarium. A glass top or protective barrier is required to minimize the fixture's exposure to water.
- N) **SAVE THESE INSTRUCTIONS**



PARTS DIAGRAM



Parts List

	20 in (420269)	24 in (420270)	30 in (420271)	36 in (420272)
① Lens Cover Acrylic Exp LED	9000540	9000450	9000541	9000451
② Aquarium Frame Mounts Exp LED (2 PK)	9000453	9000453	9000453	9000453
③ End Plate Exp LED (power cord side)	9000454	9000454	9000454	9000454
④ End Plate Exp LED (suspension clip side)	9000455	9000455	9000455	9000455
⑤ Transformer 12V Fixture 9.6W	9000456	9000456	n/a	n/a
⑥ Transformer 12V Fixture 15W	n/a	n/a	9000457	9000457
⑦ Link Hardware Exp LED (4 bars, 8 screws)	9000459	9000459	9000459	9000459
Suspension Hardware (Optional)	420147	420147	420147	420147

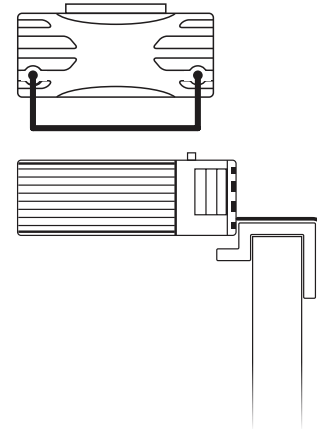
Product Specifications

	20 in (420269)	24 in (420270)	30 in (420271)	36 in (420272)
Rated Voltage:	120 Volt AC			
Rated Cycle:	60Hz			
Power Cord	2 Meters			
Dimensions without Aquarium Frame Mounts: (L x W x H)	18.8 x 1.4 x 0.7 in 47.8 x 3.6 x 1.8 cm	22.8 x 1.4 x 0.7 in 57.9 x 3.6 x 1.8 cm	28.8 x 1.4 x 0.7 in 73.2 x 3.6 x 1.8 cm	34.7 x 1.4 x 0.7 in 88.1 x 3.6 x 1.8 cm

LED LIGHT FIXTURES INSTALLATION

AQUARIUM FRAME MOUNTS

- 1) The Aquarium Frame Mounts can be adjusted by pulling the Aquarium Frame Mounts out of the ends of the fixture. We suggest a maximum of 1" on each end of the fixture.
- 2) The Aquarium Frame Mounts should be adjusted so that the end of the Frame Mount rests over the edge of the aquarium.
- 3) The power cord should be positioned toward the back of the aquarium.

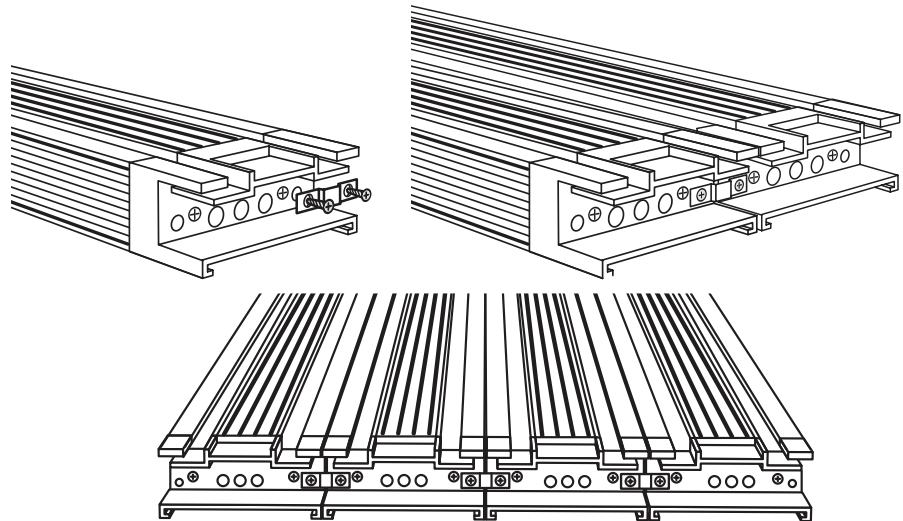


TIP: Use a large towel under the fixture during installation to avoid scratching the fixture.

Tools required for installation:
Phillips #1 Screwdriver



MULTIPLE FIXTURES



NOTE: Make sure to route the power cord through the hole in the End Plate.



NOTE: The removable tab on the plastic End Plate(s) will need to be removed to route the power cords through the End Plate(s).



NOTE: The Aquatic Life 0.5W LED Fixture can have up to four fixtures connected together. If connecting four fixtures, refer to the previous instructions to connect the third or fourth fixture.

The Aquatic Life 0.5W LED Fixture is able to attach to another Aquatic Life 0.5W LED Fixture. Up to four 0.5W LED Light Fixtures can be connected together to form a four strip fixture.

- 1) Remove the left and right End Plates from both fixtures.
- 2) Insert the small screws supplied in the left side of the clip and attach to the left fixture.
- 3) Align the attached clip with the right fixture and insert the screw to secure the right fixture.
- 4) Repeat steps on the other end of the fixture.
- 5) After the Metal Clips are connecting both fixtures (up to four), place the End Plates (non power side) on the fixtures.
- 6) When connecting multiple fixtures together the removable tab on the power cord End Plates will need to be removed to allow the power cords to be routed through the ends of the fixtures.



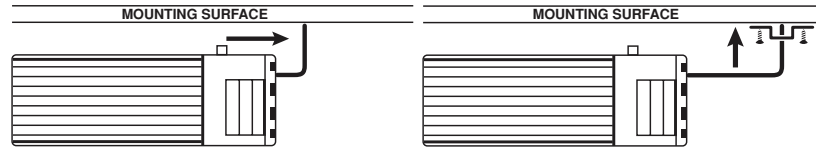
- 7) When the End Plates are installed, the Aquarium Frame Mounts can be installed back on the fixture.

LED LIGHT FIXTURES INSTALLATION

POWER

The Aquatic Life 0.5W LED Light Fixture is equipped with a single power cord. Connect the power cord into a grounded outlet (GFCI). Rock the switch to turn on the light fixture. (Multiple power cords are equipped when connecting multiple fixtures together.)

OPTIONAL SURFACE MOUNTING

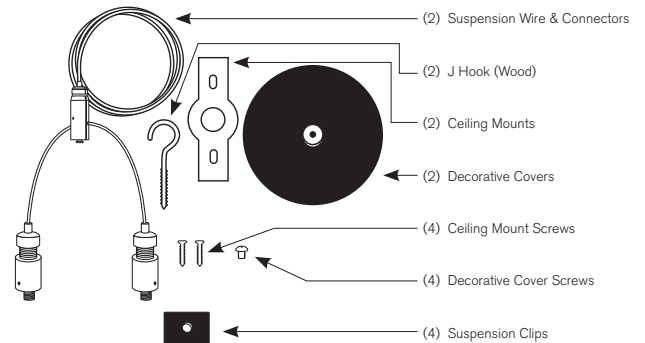


- 1) Remove the Aquarium Frame Mounts from the fixture, flip and insert them into the fixture so that the Wire Frame Mounts are facing the top of the fixture.
- 2) Place the included clip over the Wire Frame Mount and secure the clip to the mounting surface using the larger supplied screws.
- 3) Attach the Wire Frame Mount on the other end of the fixture, to the mounting surface.

SUSPENSION SYSTEM (Optional Accessory, Item # 420147)

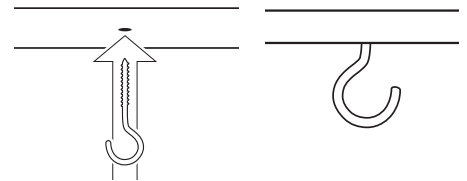
The Aquatic Life 0.5W LED Fixture can be hung from overhead supports with the optional suspension hardware. The fixture is equipped with Mounting Points on the housing for easy installation.

PARTS LIST



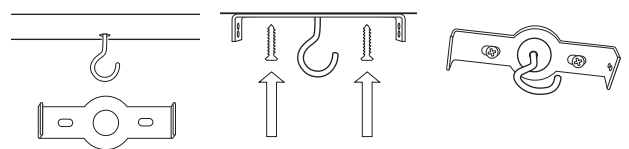
J HOOK

Locate a wood support structure above the aquarium, determine the location for the attachment of the J Hooks and secure the J Hook into the wood.



CEILING MOUNT

Position the Ceiling Mount over the J Hook and center the J Hook in the center of the Ceiling Mount hole. Use the two Ceiling Mount Screws to secure to surface.



NOTE: You cannot suspend a single fixture.



WARNING
Suspension hardware should be mounted into a secure surface only. Do not mount hardware directly into drywall/gypsum board or any similar material. Mounting hardware **MUST** be attached with the J hooks and into wood supports that can handle 75 lbs or more.

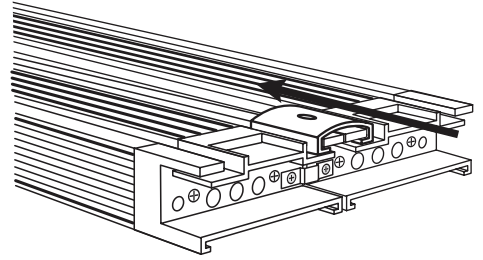


TIP: Aquatic Life recommends the use of a stud finder to locate an appropriate wood support.

LED LIGHT FIXTURES INSTALLATION

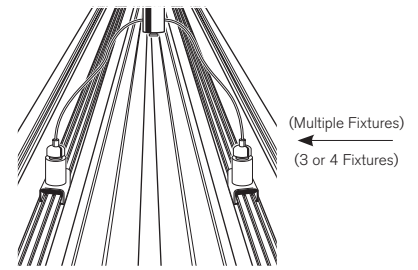
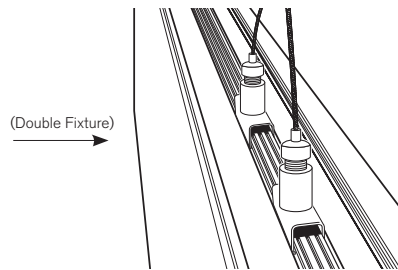
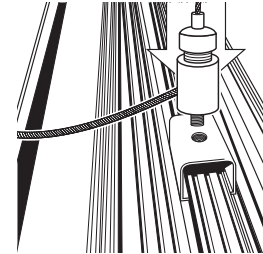
SUSPENSION SYSTEM

Remove the left End Plate (non power cord side) from the two fixtures, and slide two Suspension Clips onto each outside fixture.



NOTE: The Suspension Clip will not slide once the connectors are screwed into the clip.

Insert one of the two fixture connectors from the suspension wire into the vacant opening on the Suspension Clip. Slide the Suspension Clip to the desired position on the fixture and screw in the connector by turning the connector clockwise. Repeat for the second, third or fourth fixture. Secure the opposite suspension hardware to the fixtures in the same manner.



FIXTURE PLACEMENT AND ADJUSTMENT



WARNING: It is extremely important to make sure the anchor is tight and cannot move, this is the part that keeps the light secure to the ceiling.

To adjust the height of the fixture above the aquarium, first make sure the Wire Anchor is tight to the wire and that there is a loop that can be placed over the J Hook in the ceiling.

Place the loop of wire onto the J Hook and allow the wire to suspend from the hook.

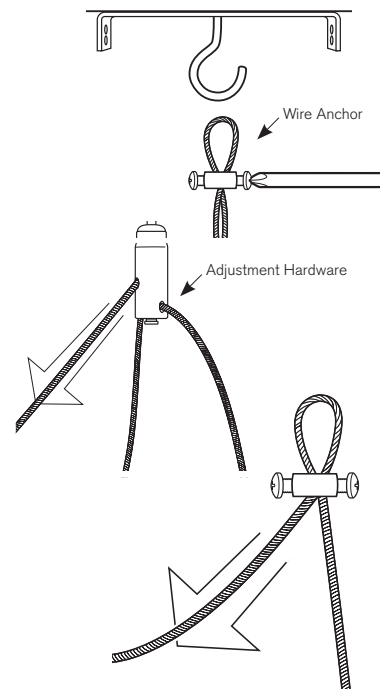


NOTE: Slide the Decorative Cover down the wire until it meets the top of the Adjustment Hardware above the fixture.

Pull any excess wire through the Adjustment Hardware located above the fixture. Level the fixture and measure the amount of extra wire pulled through the Adjustment Hardware. You will need the measurement for the next step in installation.

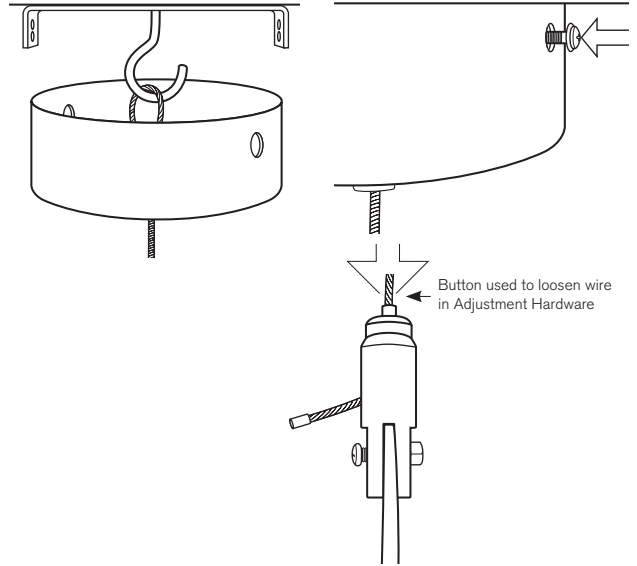
Remove the suspension wires from the J Hooks. Loosen the two screws located in the Wire Anchor so that the wire can slide freely in the anchor. The amount of *extra* wire pulled through the Adjustment Hardware should now be pulled through the wire anchor.

After the *extra* wire is pulled through the Wire Anchor, secure the two screws in the anchor. Place the loop in the suspension wire back over the J Hooks in the ceiling.



DECORATIVE COVER

Pull the Decorative Cover up and over the Ceiling Mount and attach the two Decorative Cover Screws into the side opening. Secure the Cover.



To loosen the wire pulled through the Adjustment Hardware, press the small button that is positioned around the wire at the top of the hardware. Gently pull down on the Adjustment Hardware until the fixture is back to where originally measured.

MAINTENANCE



WARNING: The fixture is not waterproof. Do not spray or submerge the fixture.

HOUSING

Unplug the LED 0.5W Light Fixture and wipe the housing with a clean moist/semi dry cloth to remove dust, salt and other debris that may have built-up on the fixture.



TIP: Keep the Acrylic Lens Cover and Glass Cover over the aquarium clean to allow maximum light penetration into the aquarium.

LENS COVER

Wipe the Acrylic Lens Cover with fresh water or an acrylic cleaner to maintain peak light transmission. If the Lens Cover is allowed to become dirty, it will reduce the amount of light that is emitted into the aquarium.

REGISTERING YOUR PRODUCT(S) WITH AQUATIC LIFE

Please register your product online at www.aquaticlife.com within 15 days from the date of purchase. To validate your warranty, the Serial Number must be included with the registration. The serial number is located on the Power Cord Tag of your fixture and on the outside of the box. If you need help locating the serial number or your product, please visit our website at www.aquaticlife.com or call Aquatic Life at 1-888-548-3480.

Benefits Of Registration:

- *Confirmation of Ownership* Provides a record in the event you need to contact us about your product in the future.
- *Your Safety* Allows us to contact you with important product notifications.
- *Improved Product Support* Helps us continue to tailor our products and services to meet your needs.

LIMITED WARRANTY

Aquatic Life, LLC warrants that this Light Fixture shall be free from defective electrical components and leaks or cracks due to defects in materials or workmanship for a period of twelve (12) months from the date of purchase. If a defect is shown, Aquatic Life, LLC will, at Aquatic Life's sole discretion, either repair or replace the product without charge. No cash refunds will be made. This warranty is provided solely to the original consumer purchaser of the product and may not be transferred or assigned.

This warranty does not apply to damage resulting from accident, misuse, abuse, lack of reasonable care, failure to follow safety and installation instructions, use of the product with non-standard electrical service, or any other defect not resulting from defects in the electrical components of the product or defects in materials or workmanship. This warranty will not be effective unless and until the Aquatic Life product is shown to have been used in accordance with the safety and installation instructions accompanying the product.

THIS CONSTITUTES AQUATIC LIFE'S ENTIRE WARRANTY AND AQUATIC LIFE MAKES NO OTHER WARRANTIES, WHETHER EXPRESS OR IMPLIED, WITH RESPECT TO THE PRODUCT. AQUATIC LIFE, LLC SPECIFICALLY DISCLAIMS ANY AND ALL IMPLIED WARRANTIES, INCLUDING, WITHOUT LIMITATION, WARRANTIES OF MERCHANTABILITY AND FITNESS FOR A PARTICULAR PURPOSE. IF AQUATIC LIFE, LLC CANNOT LAWFULLY DISCLAIM IMPLIED WARRANTIES UNDER THIS LIMITED WARRANTY, ALL SUCH WARRANTIES, INCLUDING WARRANTIES OF MERCHANTABILITY AND FITNESS FOR A PARTICULAR PURPOSE ARE LIMITED IN DURATION TO THE DURATION OF THIS WARRANTY.

AQUATIC LIFE IS NOT RESPONSIBLE FOR DIRECT, SPECIAL, INCIDENTAL OR CONSEQUENTIAL DAMAGES RESULTING FROM ANY BREACH OF WARRANTY OR CONDITION, OR UNDER ANY OTHER LEGAL THEORY. AQUATIC LIFE, LLC EXPRESSLY DISCLAIMS ALL ALLEGED DAMAGES FOR LOSS OF MARINE LIFE, PERSONAL INJURY, AND/OR PROPERTY DAMAGE.

Some states and provinces do not allow the exclusion or limitation of incidental or consequential damages or exclusions or limitations on the duration of implied warranties or conditions, so the above limitations or exclusions may not apply to you. This warranty gives you specific legal rights, and you may also have other rights that vary by state or province.

Aquatic Life, LLC shall not have any obligations under this warranty unless the owner notifies Aquatic Life, LLC in writing of any alleged defect(s) within 30 days of discovery of the defect(s). Any notice to Aquatic Life, LLC must be delivered by United States or electronic mail to the following address:

U.S. Mail
Aquatic Life, LLC
2416 W. Victory Blvd, #136
Burbank, CA 91506

Electronic Mail: customersupport@aquaticlife.com

Aquatic Life, LLC shall be allowed a reasonable period of time to investigate any warranty claim and to perform any testing Aquatic Life, LLC deems necessary to determine the cause of the defect. This warranty shall be interpreted under the laws of the State of California.



BRINGING THE OCEAN TO YOU,
WHEREVER YOU MAY BE.™

Bringing the Ocean to You, Wherever You May Be
and Life Rewards are trademarks of
Aquatic Life LLC
Commerce, CA 90040
www.aquaticlife.com

© Copyright Aquatic Life LLC

P/N 9000538 REV 02/12