

# 1600L SUBMERSIBLE PUMP

## DESCRIPTION

1,600 LPH Submersible High Head Utility Pump

## UPC #

810957010218

## APPEARANCE

- Black Semi-Gloss Finish
- Blue Pump Base and Back Plate
- Black Rubber Feet

## ELECTRICAL & OPERATING REQUIREMENTS

- Rated Voltage: 120 Volt AC
- Rated Cycle: 60 HZ
- Power Factor: 0.73
- Safety Approval Rating: cUL
- Power Cord Length: 2 Meters (6.5 FT)
- Flow Rate @ Pump Discharge: 1,600 LPH (423 GPH)
- Maximum Pumping Height: 2.9 Meters (9.5 FT)
- Discharge Size: 1/2 IN MPT
- Intake Size: 1/2 IN FPT

## SIZE & WEIGHT

### DISPLAY PACKAGING

- 9.3 x 5.6 x 5.9"
- 23.62 x 14.22 x 14.98 cm
- 4.6 lbs / 2.09 kg

### PRODUCT

- 6.9 x 3.2 x 4.5"
- 17.52 x 8.12 x 11.43 cm
- 3.65 lbs / 1.65 kg

## PACKAGING

### DISPLAY BOX

- Corrugated, 4-color

## WARRANTY & PRODUCT REGISTRATION

- 2 Year Limited Warranty
- Product registration at [www.aquaticlife.com](http://www.aquaticlife.com) only



1600L SUBMERSIBLE PUMP



Power cord exits the top of the pump for easier sump placement



Standard pipe threads for easy installation



Intake cover design allows for pump operation in low-water level conditions

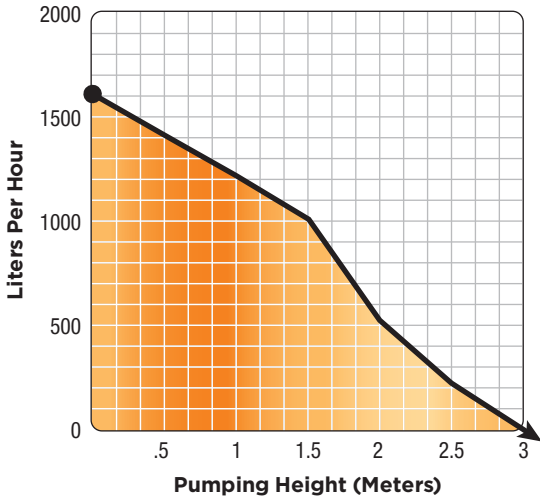
## FEATURES

- Heavy-duty utility pump features built-in thermal protection to ensure long life and safe operation
- Pump intake design promotes efficient operation in low water installations
- Power cord exits the top of the pump for easy routing of cord out of the sump
- Ceramic impeller shaft is ideal for use in marine environments
- Lower power factor design means more energy efficiency

## CONTENTS

- (1) Pump
- (1) Intake Shield
- (1) Base with rubber feet (4)
- (1) Users Guide

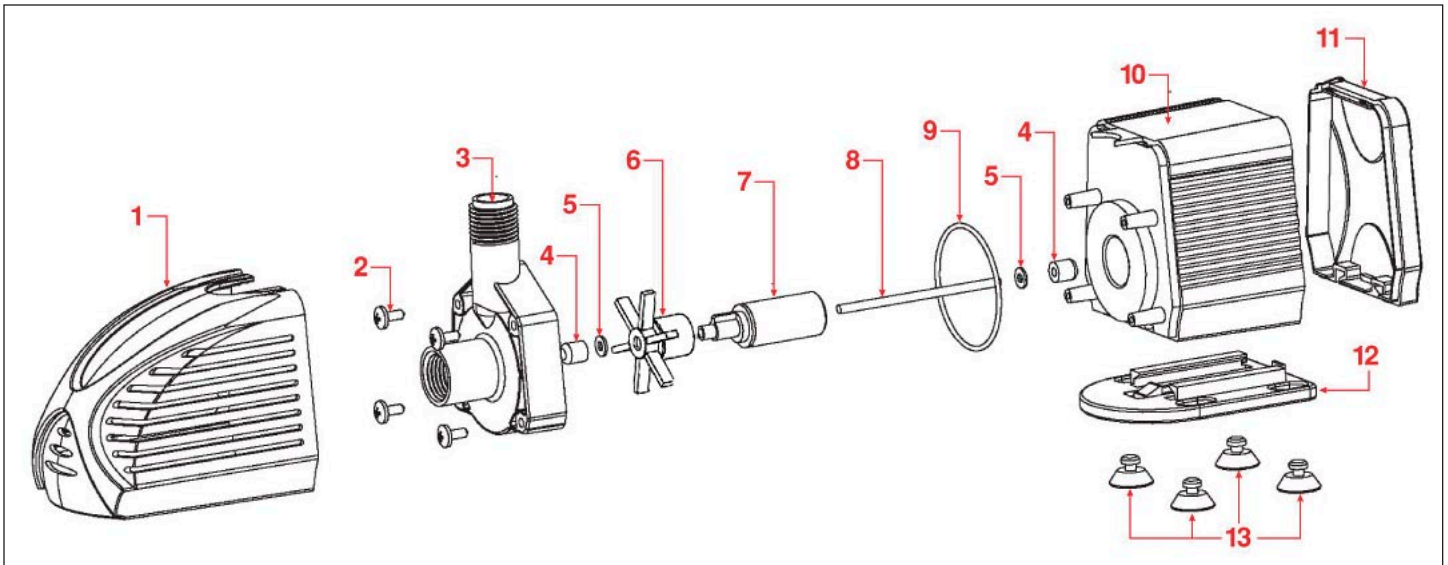
**Flow Rate Chart**



**Flow Rate at Height**

	Liters	Gallons
0 m	1,600	423
0.5 m	1,413	373
1.0 m	1,254	331
1.5 m	1,048	277
2.0 m	524	138
2.5 m	205	54

**Parts Diagram**



1600L SUBMERSIBLE PUMP		
DIAGRAM NUMBER	ITEM NUMBER	PART DESCRIPTION
1	470077	Intake Cover
2	470096	Screws
3	470079	Impeller Cover
4, 5, 6, 7	BLUE #470061	Impeller
8	470097	Impeller Shaft
9	470094	O-Ring

DIAGRAM NUMBER	ITEM NUMBER	PART DESCRIPTION
10	N/A	Pump
11	N/A	Black Plate
12	470081	Pump Base
13	470083	Base Feet