

**Thank you for purchasing an Aquatic Life Carbon Plus Canister Filter.**

When maintained properly, this unit will provide you with years of service.



## OVERVIEW

This canister filter contains the Carbon Plus cartridge that will remove Chloramines and Chlorine from tap water. It is important that water flows in on the left side and out on the right side for proper operation.

Each end includes pre-installed 1/4" Press Fittings for easy tubing connection.

## OPERATING GUIDELINES

The maximum incoming water pressure for the unit is 80 PSI. If the pressure is more than 80 PSI, a pressure regulator is required.

Do not allow the canister to be exposed to direct sunlight as this can affect the canister integrity.

For technical assistance or warranty issues, contact Aquatic Life at [customersupport@aquaticlife.com](mailto:customersupport@aquaticlife.com)

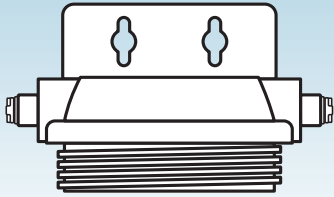


**WARNING:** Please read carefully before proceeding with installation. Your failure to follow any attached instructions and operating parameters may lead to the product's failure.

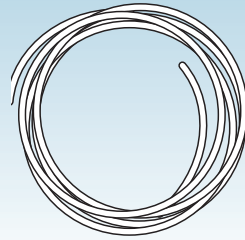


Installation Instructions

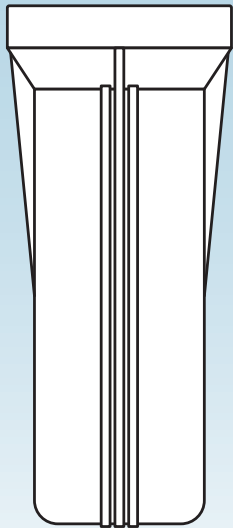
Contents



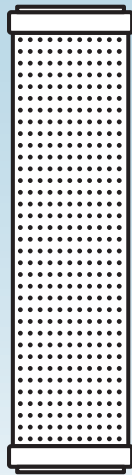
Bracket & Housing



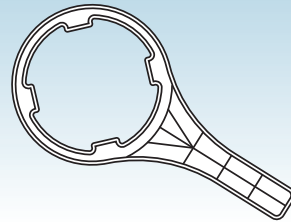
Tubing 1/4" x 10'



Canister



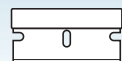
Carbon Plus Cartridge



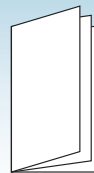
Canister Wrench



Collar Tool

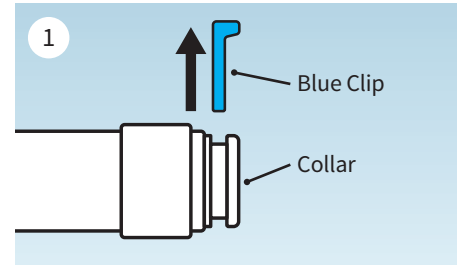


Razor Blade

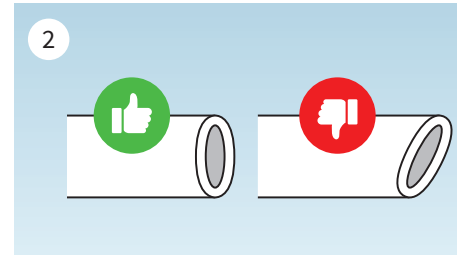


Installation, Operation & Maintenance Guide

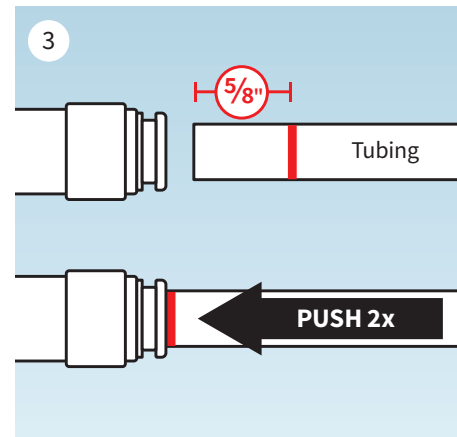
USING THE PRESS FITTINGS



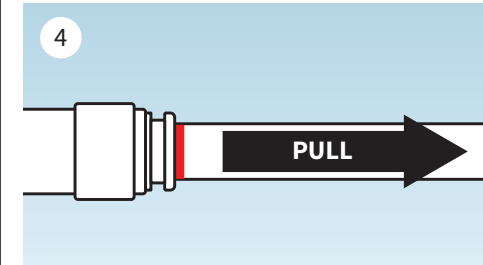
Remove the blue clip from the press fitting.



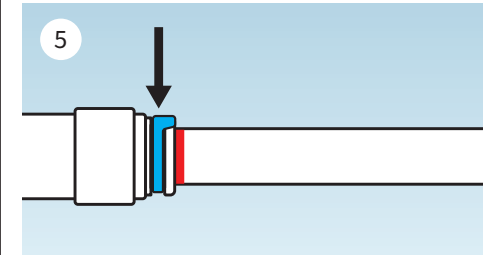
Cut tubing evenly and not at an angle.



Mark the tubing 5/8" from the cut end. Push the tubing into the fitting. You will hit the first stop. The tubing is still not secured properly. Push the tubing a second time until it reaches the 5/8" mark.



Pull back on the tubing to ensure it is secure.



Replace the blue clip back onto the fitting.

**NOTE:** To remove a piece of tubing, remove the blue clip, then press down and hold the collar while pulling out tubing.

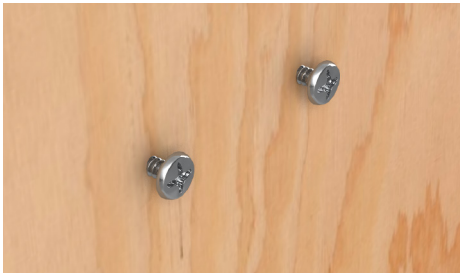
**NOTE:** Pinched tubing will not seal properly. Cut the tubing with the included razor blade to prevent pinching. It is important that the tubing is inserted a full 5/8" into the press fitting to avoid leaking.

**How to Use Press Fittings**

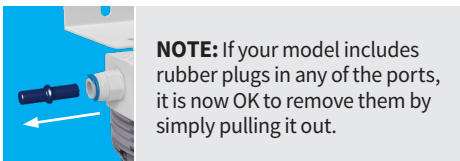
**MOUNTING THE UNIT**

The Aquatic Life clear canister unit is designed to be mounted to a secure surface using the metal bracket. This will allow for easy cartridge replacement.

**Step 1** - Use screws designed for the type of surface that the canister unit will hang on. Leave the screws extending about 1/8" from the surface.



**Step 2** - Hang the metal bracket on the screws. Tighten the screws to secure unit.



**NOTE:** If your model includes rubber plugs in any of the ports, it is now OK to remove them by simply pulling it out.

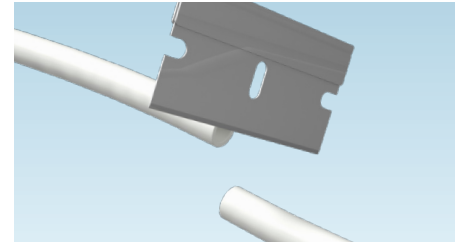
**APPLICATIONS**

Use this canister filter to remove both Chloramines and Chlorine from tap water.

OPERATING PARAMETERS	
Operating Temperature	Min. 39° F (4°C) Max. 100°F (38°C)
Working Pressure	Min. 35 psi Max. 80 psi
<p><b>Chloramine Reduction</b> 3,000 gallons @ 0.5 GPM 3 ppm Chloramine &gt; 98% Reduction</p>	
<p><b>Chlorine Reduction</b> 30,000 gallons @ 0.5 GPM 2 ppm Chlorine &gt; 99% Reduction</p>	

**CUTTING TUBING**

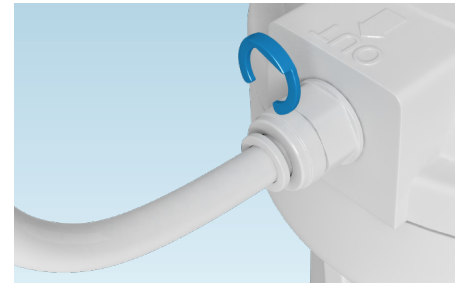
Use the included razor blade to ensure clean, even cuts of tubing. Never cut tubing with scissors, as they will pinch the tubing and may cause leaks.



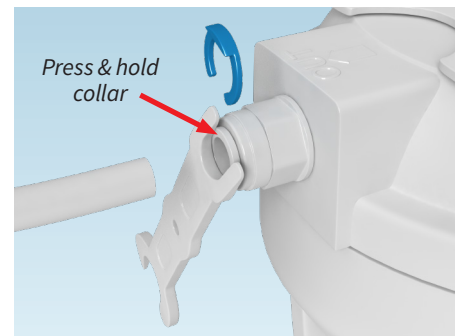
**REMOVING TUBING**

Use the included collar tool to assist when pressing down on the locking collars.

**Step 1** - Remove blue clip

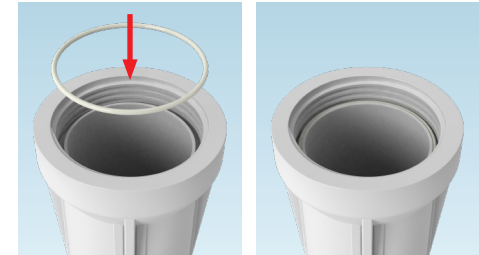


**Step 2** - Use collar tool to press & hold collar while pulling out tubing.

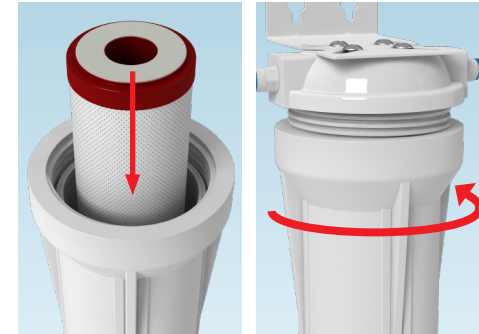


**INSTALLING THE CANISTER**

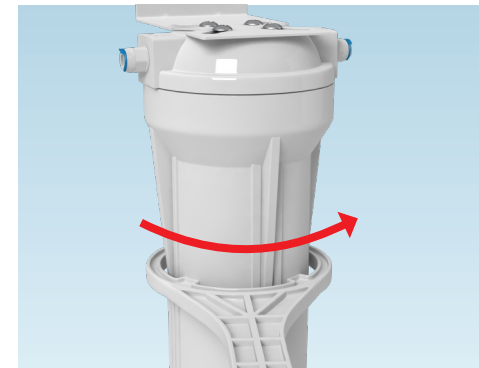
**Step 1** - Ensure the o-ring is seated properly inside the canister.



**Step 2** - Remove the clear wrap from the cartridge and place into the canister. Thread canister onto housing.

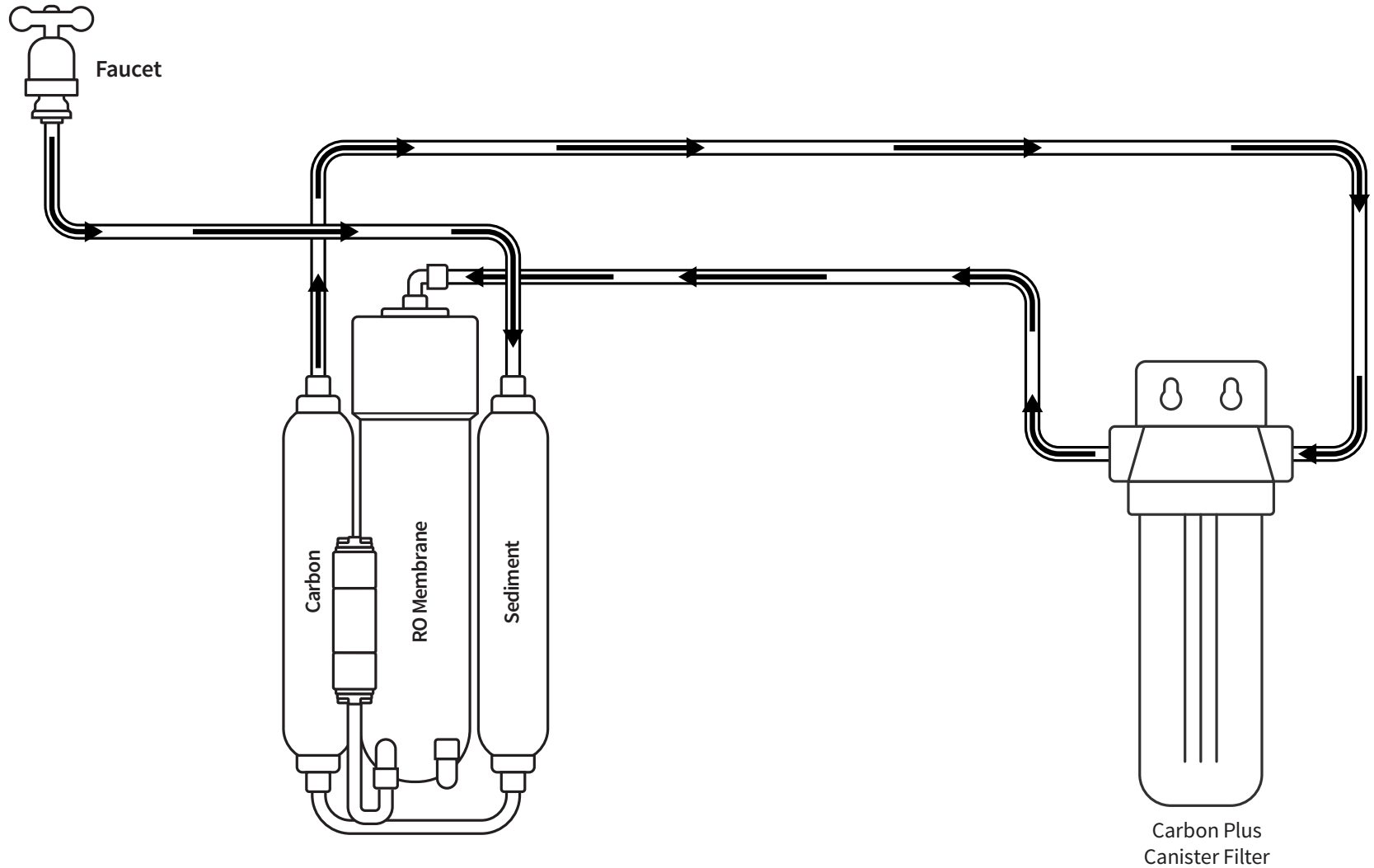


**Step 3** - Use the included canister wrench to tighten 1/8 to 1/4 of a turn to finish tightening. **DO NOT OVER-TIGHTEN.**



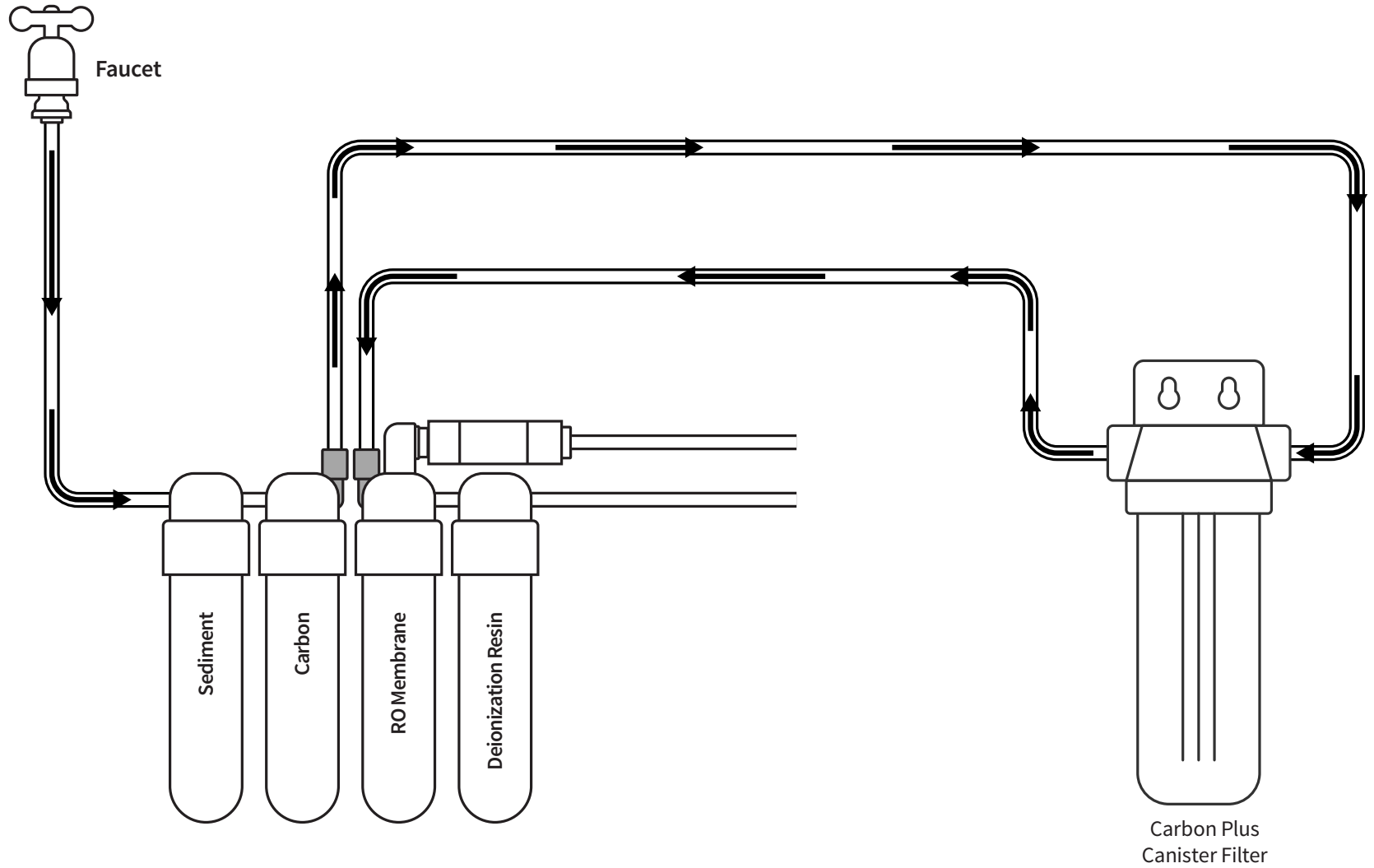
Installation  
**A**

REMOVING  
CHLORAMINES  
& CHLORINE  
FROM TAP WATER  
USING THE  
RO BUDDIE



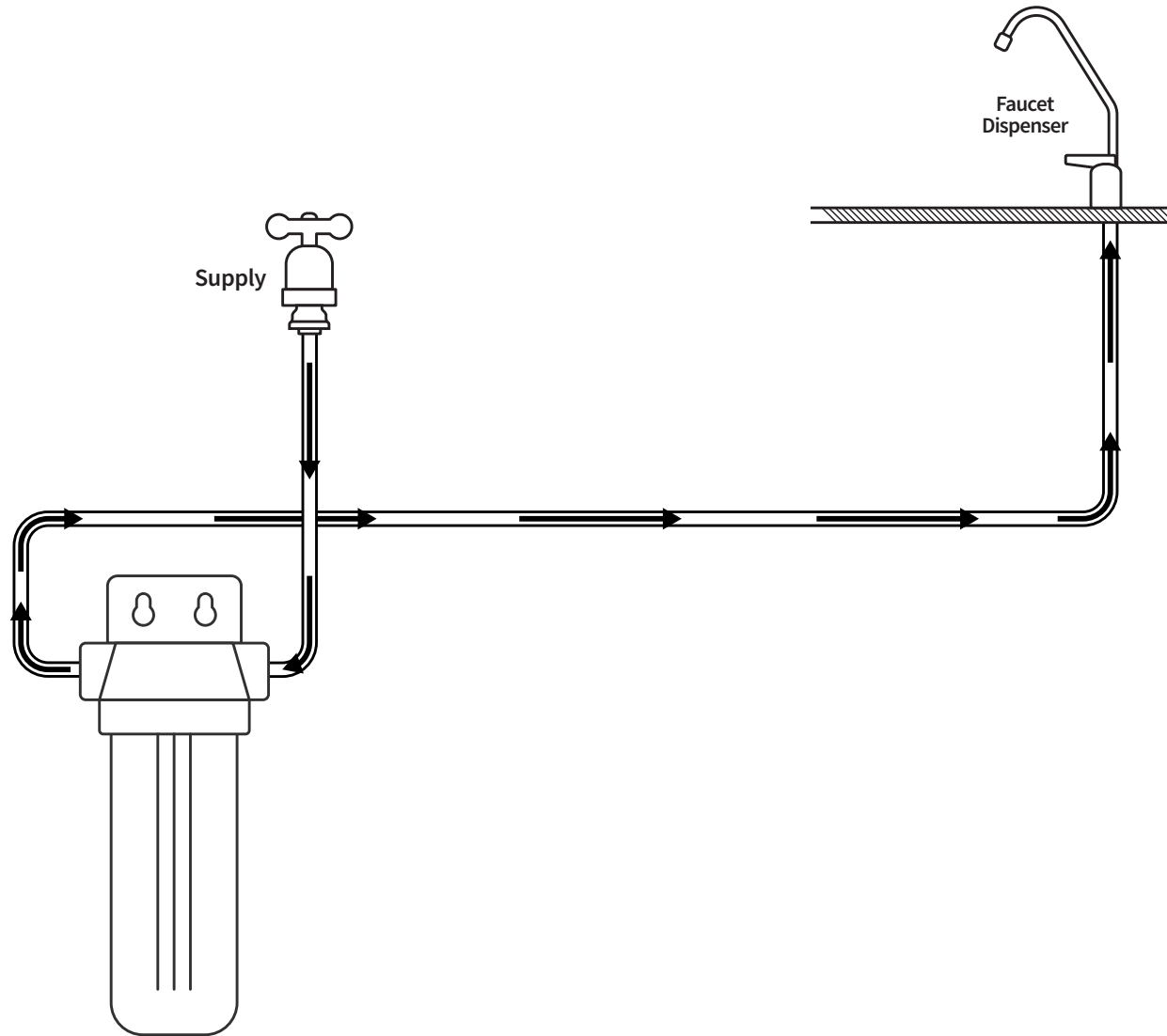
Installation  
**B**

REMOVING  
CHLORAMINES  
& CHLORINE  
FROM TAP WATER  
USING THE  
TWIST-IN RO/DI UNIT



Installation  
**C**

**REMOVING  
CHLORAMINES  
& CHLORINE  
FROM TAP WATER  
PRIOR TO  
A FAUCET DISPENSER**



### OPERATION & CONSIDERATIONS

- Water supply operating pressure greater than 80 PSI requires a pressure regulator.
- With initial operation, check for leaks. If a leak is observed, verify that the tubing is pushed into the press fitting far enough to seal the tubing against the o-ring and that the canisters and caps are sealed properly with their o-rings.
- Many of the components in this unit are plastic and subject to damage by ultraviolet light.
- Never store or operate the unit in direct sunlight or other bright lights.
- Do not store or operate the unit in temperatures above 100°F.
- Do not store or operate the unit in freezing temperatures.
- Do not leave the unit unattended while connected to a water supply.

### LIMITED WARRANTY

Lifetime Products LLC warrants that this Carbon Plus Canister Filter shall be free from defective components and leaks or cracks due to defects in materials or workmanship for a period of one (1) year from the date of purchase. If a defect is shown, Lifetime Products LLC will, at Lifetime Product's sole discretion, either repair or replace the product without charge. No cash refunds will be made. This warranty is provided solely to the original consumer purchaser of the product and may not be transferred or assigned. If Lifetime Products chooses to replace the equipment, Lifetime Products may replace it with reconditioned equipment. Parts used in repairing or replacing the equipment will be warranted for 90 days from the date the equipment is returned to you or the remainder of the original warranty period, whichever is longer.

This warranty does not apply to damage resulting from accident, misuse, abuse, lack of reasonable care, failure to follow safety and installation instructions. This warranty does not include the Carbon Plus cartridge.

This warranty will be void if defects occur due to failure to observe the following conditions:

- Incoming water to the canister cannot exceed 100°F.
- Incoming water pressure cannot exceed 80 PSI.
- Do not use outdoors or in a location that is subjected to direct sunlight or freezing.

This warranty will not be effective unless and until the Aquatic Life product is shown to have been used in accordance with the installation and maintenance instructions accompanying the product.

THIS CONSTITUTES LIFETIME PRODUCTS ENTIRE WARRANTY AND LIFETIME PRODUCTS MAKES NO OTHER WARRANTIES, WHETHER EXPRESS OR IMPLIED, WITH RESPECT TO THE PRODUCT. LIFETIME PRODUCTS, LLC SPECIFICALLY DISCLAIMS ANY AND ALL IMPLIED WARRANTIES, INCLUDING, WITHOUT LIMITATION, WARRANTIES OF MERCHANTABILITY AND FITNESS FOR A PARTICULAR PURPOSE. IF LIFETIME PRODUCTS, LLC CANNOT LAWFULLY DISCLAIM IMPLIED WARRANTIES UNDER THIS LIMITED WARRANTY, ALL SUCH WARRANTIES, INCLUDING WARRANTIES OF MERCHANTABILITY AND FITNESS FOR A PARTICULAR PURPOSE ARE LIMITED IN DURATION TO THE DURATION OF THIS WARRANTY.

LIFETIME PRODUCTS IS NOT RESPONSIBLE FOR DIRECT, SPECIAL, INCIDENTAL OR CONSEQUENTIAL DAMAGES RESULTING FROM ANY BREACH OF WARRANTY OR CONDITION, OR UNDER ANY OTHER LEGAL THEORY. LIFETIME PRODUCTS, LLC EXPRESSLY DISCLAIMS ALL ALLEGED DAMAGES FOR LOSS OF MARINE LIFE, PERSONAL INJURY, AND/OR PROPERTY DAMAGE.

Some states and provinces do not allow the exclusion or limitation of incidental or consequential damages or exclusions or limitations on the duration of implied warranties or conditions, so the above limitations or exclusions may not apply to you. This warranty gives you specific legal rights, and you may also have other rights that vary by state or province.

Lifetime Products, LLC shall not have any obligations under this warranty unless the owner notifies Lifetime Products, LLC in writing of any alleged defect(s) within 30 days of discovery of the defect(s).

Any notice to Lifetime Products, LLC must be delivered by United States or electronic mail to the following address: U.S. Mail: Lifetime Products, LLC, 9710 Klingerman St., S. El Monte, CA 91733 or electronic mail: [customersupport@aquaticlife.com](mailto:customersupport@aquaticlife.com). Lifetime Products shall be allowed a reasonable period of time to investigate any warranty claim and to perform any testing Lifetime Products deems necessary to determine the cause of the defect. This warranty shall be interpreted under the laws of the State of California.

**Lifetime Products, LLC**  
9710 Klingerman St. | S. El Monte, CA 91733  
[customersupport@aquaticlife.com](mailto:customersupport@aquaticlife.com)  
[www.aquaticlife.com](http://www.aquaticlife.com)