

OVERVIEW

The Aquatic Life Mini Skimmer 115 mixes air with water from your salt water tank to produce micro-bubbles. As the bubbles rise to the top of the housing, protein collects on the bubbles' membranes. Once the bubbles reach the top of the housing they "pop" and disperse the protein they were carrying onto the bubbles below. This process continues until the membrane is thick enough to be pushed up the Collection Cup Chamber and into the Collection Cup.

After the initial 14 day break-in period, the main variable for how many bubbles make it to the Collection Cup is the amount of protein in the water. Since the amount of protein in the water fluctuates, the amount of bubbles that survive the journey will also vary.

For technical assistance or warranty issues,
contact Aquatic Life at
customersupport@aquaticlife.com





WARNING:

Failure to follow any attached instructions and operating parameters will lead to the product's failure and will void your warranty.



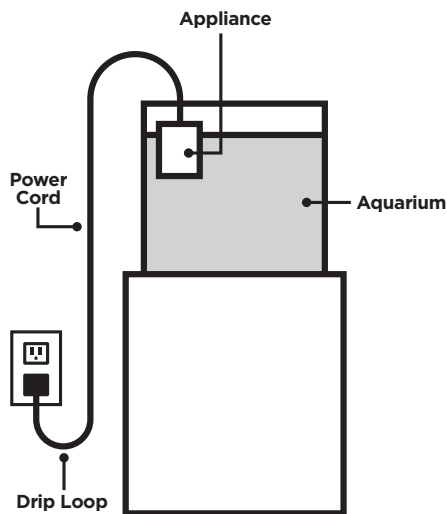
WARNING:

To guard against injury, observe all listed safety precautions.

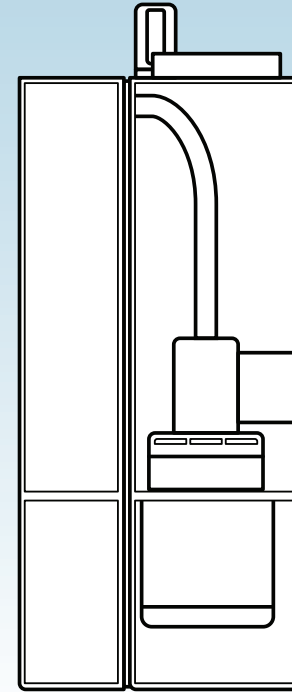
A) READ AND FOLLOW ALL SAFETY INSTRUCTIONS.

B) DANGER – To avoid possible electric shock, special care should be taken since water is employed in the use of aquarium equipment. For each of the following situations, do not attempt repairs by yourself; return the appliance to an authorized service facility for service or discard the appliance:

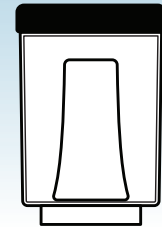
- 1) If the appliance falls into the water, **DON'T** reach for it! First unplug it and then retrieve it. If electrical components of the appliance get wet, unplug the appliance immediately.
(Non-immersible equipment only)
- 2) If the appliance shows any sign of abnormal water leakage, immediately unplug it from the power source.
(Immersible equipment only)
- 3) Carefully examine the appliance after installation. It should not be plugged in if there is water on parts not intended to be wet.
- 4) Do not operate any appliance if it has a damaged cord or plug, or if it is malfunctioning or has been dropped or damaged in any manner.
- 5) To avoid the possibility of the appliance plug or receptacle getting wet, position aquarium stand and tank to one side of a wall-mounted receptacle to prevent water from dripping onto the receptacle or plug. A **drip loop**, shown in the figure to the left, should be arranged by the user for each cord connecting an aquarium appliance to a receptacle. The drip loop is that part of the cord below the level of the receptacle, or the connector if an extension cord is used, to prevent water traveling along the cord and coming in contact with the receptacle. If the plug or receptacle does get wet, **DON'T** unplug the cord. Disconnect the fuse or circuit breaker that supplies power to the appliance. Then, unplug and examine for presence of water in the receptacle.



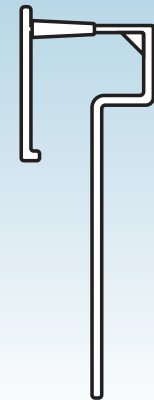
Contents



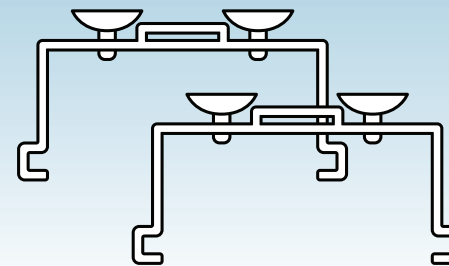
Main Housing



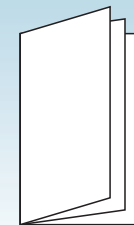
Collection Cup & Cap



Hang-on Bracket

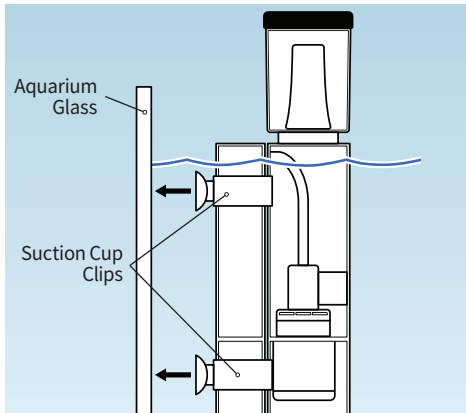


Suction Cup Mounting Clips (2)



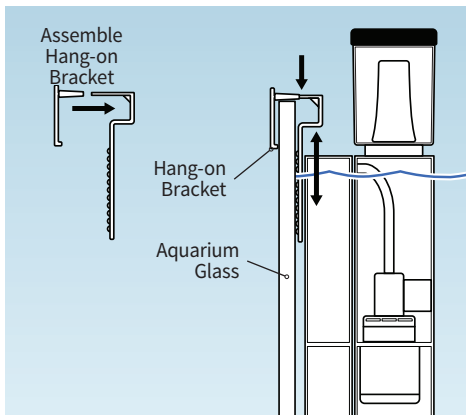
Installation, Operation & Maintenance Guide

BECOMING FAMILIAR WITH YOUR MINI-SKIMMER



MOUNTING OPTION 1 - Suction Cups Clips

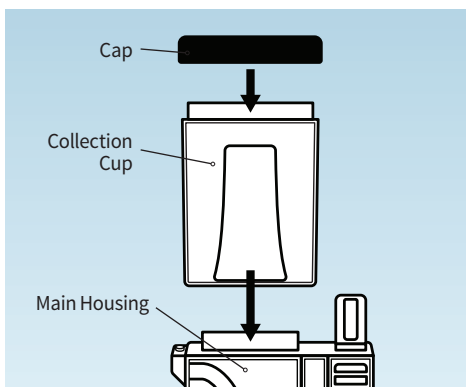
The suction cup mounting clips are mounted and ready for installation in the aquarium or filtration area. The suction cups allow the Mini-Skimmer to be positioned almost anywhere inside the aquarium.



MOUNTING OPTION 2 - Hang-on Bracket

Slide the mounting lock onto the mounting bracket and then slide the assembled bracket into the top mounting clip on the Mini-Skimmer.

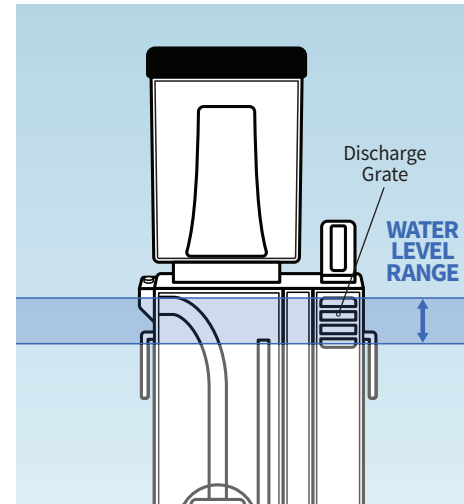
Adjust the height to best position the skimmer.



COLLECTION CUP

Install the collection cup on the top of the skimmer. The fit is meant to be tight to help seal the cup with the Mini-Skimmer housing. Hold the skimmer while attaching the cup to prevent changing its mounting position.

POSITIONING YOUR MINI-SKIMMER



SKIMMER POSITIONING

Position the skimmer so that the water level is within the Discharge Grate located on the right side of the Mini-Skimmer.

DO YOU SEE YOUR SKIMMER:

- Producing clear skimmate?
- Overflowing the collection cup?
- Producing excess bubbles in the aquarium?

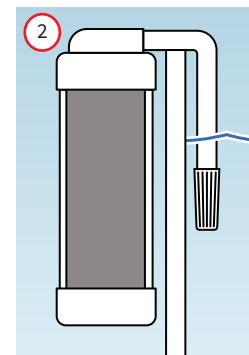
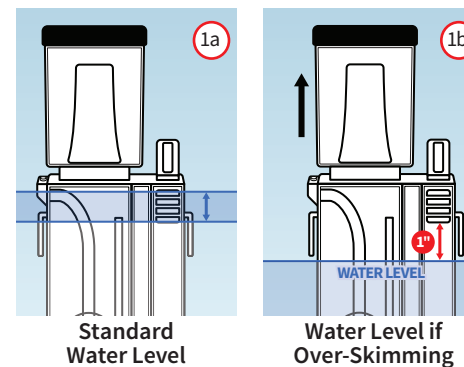
If you answered **YES** to one or more of the above, then you likely have something in the water causing the bubbles to stay intact longer than normal.

To better understand, think of adding soap to water. Before adding soap, bubbles will break quickly and easily. After soap is added, the bubbles stay formed in the water for longer.

The situation with the skimmer is like soap added to water.

To help remove the material causing excess bubble production:

- Raise the skimmer height in the aquarium to slow the water flow through the skimmer. (Figures 1a & 1b)
- Turn the unit off for a few days and use a **carbon canister filter** to remove the foreign material. There are many canister filters available and some can hang on the aquarium. (Figure 2)



IMPORTANT:

Do not add the skimmed water in the collection cup back into the aquarium. This will cause the skimmer to continue over-producing bubbles.

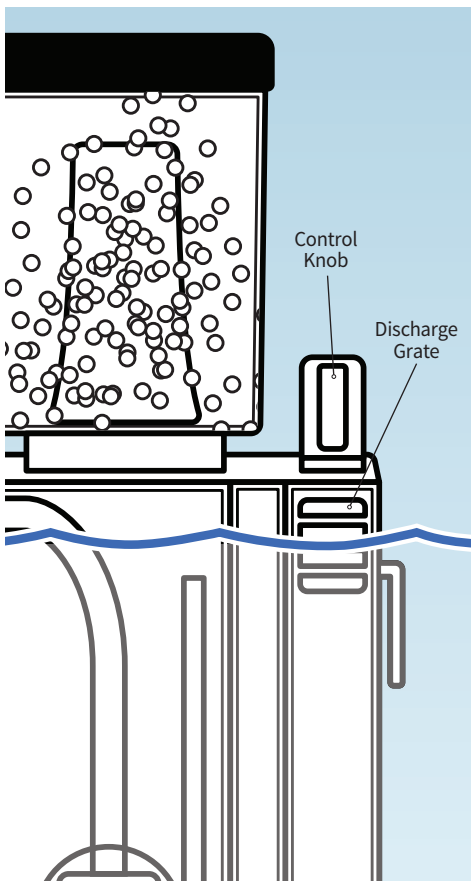
Make note of new items in the aquarium that cause the skimmer to over-produce or overflow. Fish foods, additives and filtration media can cause skimmers to over-produce.

ADJUSTING BUBBLE COLUMN & MAINTENANCE

CONTROL KNOB ADJUSTMENT

Adjusting the control knob on the skimmer will open & close the Discharge Grate, helping to raise and lower the bubble column.

- More **OPEN** Grate = **LOWER** Bubble Column
- More **CLOSED** Grate = **HIGHER** Bubble Column



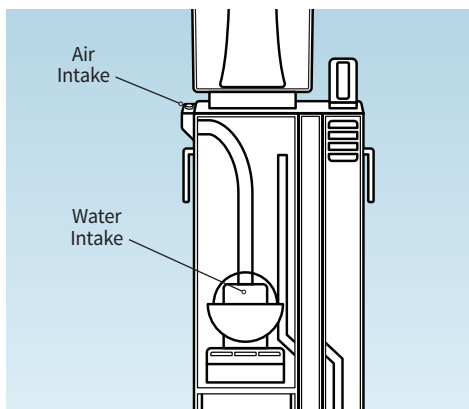
MAINTENANCE



IMPORTANT:
Unplug the Mini-Skimmer prior to performing any maintenance.

WATER INTAKE Every three months or as needed

Inspect the Water Intake and clear any obstructions that would impede water flow. If water conditions are abnormal and there is more detritus, debris or suspended material in the water you may need more frequent maintenance.



HOUSING & COLLECTION CUP Every three months or as needed

To clean the Skimmer, remove the Collection Cup and Mounting Clips to open the Housing. Wipe the inside & outside of the Housing and Collection Cup with a clean, moist cloth to remove salt and debris.

The Housing and Collection Cup can be soaked in **1:1 Vinegar/Water solution** to help remove calcium build-up.

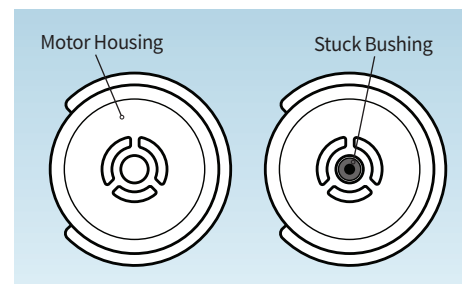
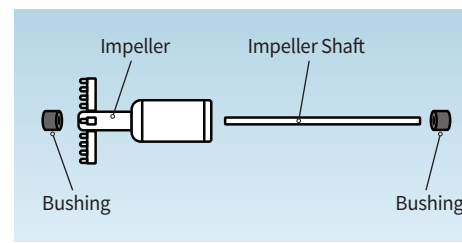
MAINTENANCE & TROUBLESHOOTING

IMPELLER & MOTOR ASSEMBLY Every three months

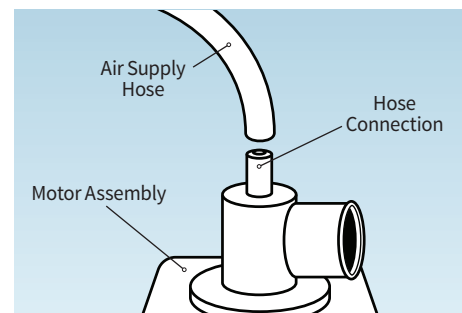
Open the housing to gain access to the Motor Assembly.

Disassemble the Impeller/Motor Assembly and clean the Impeller Parts and Motor with a toothbrush and **1:1 Vinegar/Water solution**.

Be careful not to lose the black Impeller Shaft Bushings. They will occasionally stick in the motor or housing during disassembly.



Complete cleaning by making sure the Air Supply Hose & Connection are free of debris.



TROUBLE SHOOTING

Water Level

- The water level for the skimmer should remain stable and not change. If there are water level changes, you will notice that the skimmer's bubble level will also change. **A stable, fixed water line is crucial.**
- The initial water level for the Mini-Skimmer should be somewhere between the middle to bottom of the Discharge Grate. If the skimmer is submerged further you may find that the skimmer is not as easy to control.
- The skimmer Water Intake must be below the water line and the top of the Venturi tube (Air Intake) must be above the water line.

Microbubbles

Common reasons why skimmers may release microbubbles outside of the skimmer:

- Is this the first skimmer used on the aquarium? Most skimmers require a break-in period. Raising the skimmer about an inch out of the aquarium will help slow the bubble rise in the collection cup. As the skimmer (material collected in the collection cup) is concentrated and the bubbles in the skimmer lessen, you can lower the skimmer to the proper height.
- Some fish food & additives can cause the skimmers to over-produce and start to overflow the collection cup. First, take note of what food/additive is causing this reaction. Second, raise the skimmer out of the water about an inch until the skimmer returns to normal.

USA WARRANTY

Aquatic Life warrants this product only when purchased and used in the United States and is not responsible for products outside the USA. Aquatic Life warrants that this product shall be free from defective electrical components and leaks or cracks due to defects in materials or workmanship for a period of twelve (12) months from the date of purchase.

If a defect is shown, Aquatic Life will, at Aquatic Life's sole discretion, either repair or replace the product without charge. No cash refunds will be made. This warranty is provided solely to the original consumer purchaser of the product and may not be transferred or assigned.

This warranty does not apply to damage resulting from accident, misuse, abuse, lack of reasonable care, failure to follow safety and installation instructions, use of the product with non-standard electrical service, or any other defect not resulting from defects in the electrical components of the product or defects in materials or workmanship. This warranty will not be effective unless and until the Aquatic Life product is shown to have been used in accordance with the safety and installation instructions accompanying the product.

THIS CONSTITUTES AQUATIC LIFE'S ENTIRE WARRANTY AND AQUATIC LIFE MAKES NO OTHER WARRANTIES, WHETHER EXPRESS OR IMPLIED, WITH RESPECT TO THE PRODUCT. AQUATIC LIFE SPECIFICALLY DISCLAIMS ANY AND ALL IMPLIED WARRANTIES, INCLUDING, WITHOUT LIMITATION, WARRANTIES OF MERCHANTABILITY AND FITNESS FOR A PARTICULAR PURPOSE. IF AQUATIC LIFE CANNOT LAWFULLY DISCLAIM IMPLIED WARRANTIES UNDER THIS LIMITED WARRANTY, ALL SUCH WARRANTIES, INCLUDING WARRANTIES OF MERCHANTABILITY AND FITNESS FOR A PARTICULAR PURPOSE ARE LIMITED IN DURATION TO THE DURATION OF THIS WARRANTY. AQUATIC LIFE IS NOT RESPONSIBLE FOR DIRECT, SPECIAL, INCIDENTAL OR CONSEQUENTIAL DAMAGES RESULTING FROM ANY BREACH OF WARRANTY OR CONDITION, OR UNDER ANY OTHER LEGAL THEORY. AQUATIC LIFE EXPRESSLY DISCLAIMS ALL ALLEGED DAMAGES FOR LOSS OF MARINE LIFE, PERSONAL INJURY, AND/OR PROPERTY DAMAGE.

Some states and provinces do not allow the exclusion or limitation of incidental or consequential damages or exclusions or limitations on the duration of implied warranties or conditions, so the prior limitations or exclusions may not apply to you. This warranty gives you specific legal rights, and you may also have other rights that vary by state or province.

Aquatic Life shall not have any obligations under this warranty unless the owner notifies Aquatic Life in writing of any alleged defect(s) within 30 days of discovery of the defect(s). Any notice to Aquatic Life must be delivered by United States or electronic mail to the following address:

Lifetime Products, LLC
9710 Klingerman St. | S. El Monte, CA 91733

CustomerSupport@aquaticlife.com
www.aquaticlife.com