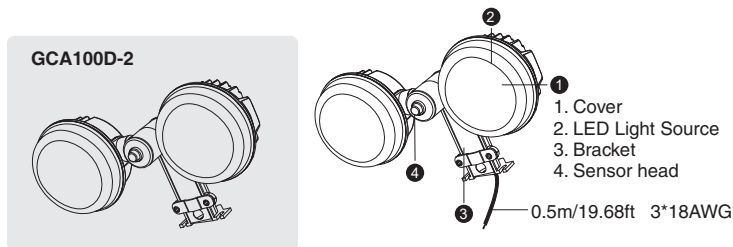


# LED DUSK TO DAWN BARN LIGHT

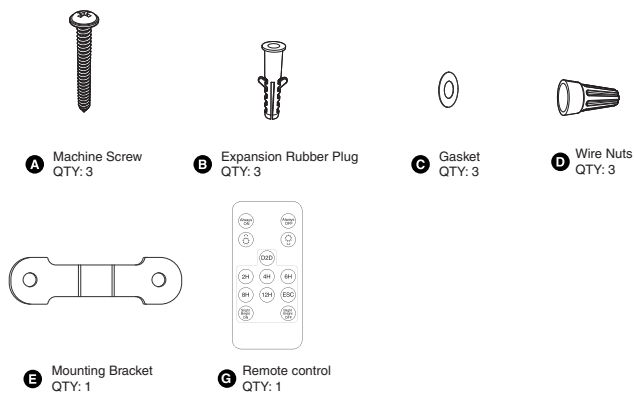
Product Manual

MODEL: GCA100D-2

## COMPONENTS AND STRUCTURE



## PARTS LIST



2



## SPECIFICATIONS

LED BARN LIGHT	
Model	GCA100D-2
Input Voltage	120-277V ~50/60Hz
Input Current	0.83A
Rated Power	100W
Luminous Flux	10000lm
CCT	6500K
CRI	≥80
Power Factor	≥0.5
L <sub>70B50</sub> lifetime	30000hours L <sub>70B50</sub> @ 25°
Beam Angle	120°
t <sub>a</sub>	-20-40°C/-4°F-104°F
Luminaire Location	SUITABLE FOR WET LOCATIONS
Dimensions (LxHxW)	398x158x240 mm / 15.67x6.22x9.45 in
Weight	1.48 kg / 3.26 lb

3



## OPERATION INSTRUCTIONS

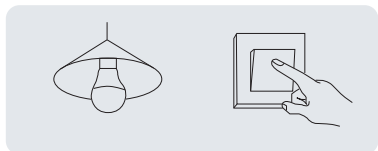
### Note:

#### 1. If you buy a Lamp

Lamp and remote control are bound one-to-one (one remote can only control one light.)

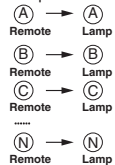
If the remote can't control lamp, please try to Re-pair:

- Turn the wall switch on and off 3 times.
- Lamp flashes, point the remote control at the lamp and press "Always-ON" 5s.
- Lamp stop flashing. Successfully pairing and control normally.



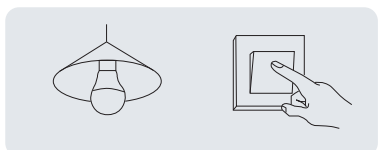
#### 2. If you buy two or more Lamps

Lamp and remote control are bound one-to-one (one remote can only control one light.)



If the remote can't control lamp, please try to Re-pair:

- Turn the wall switch on and off 3 times.
- Lamp flashes, point the remote control at the lamp and press "Always-ON" 5s.
- Lamp stop flashing. Successfully pairing and control normally.



4



## OPERATION INSTRUCTIONS

### 1. Remove the insulation sheet before using the remote control.

**2. ON/OFF**  
Always-On/Off Mode  
Control the security light always On or Off.

**3. Brightness Adjustment**  
In the always-on mode and light sensing mode, the light can adjust brightness into 100%, 85%, 70%, 50%, 40% separately.

**4. D2D-Dusk To Dawn Mode**  
The light will turn on at 100% brightness at night, and automatically turn off in the morning.

**(1) Timer in D2D**  
In D2D mode, the light can turn on a few hours then turns off, it can be set to 2H, 4H, 6H, 8H, 12H.  
**For example:** The light turns on at 8:00 PM, and you want the light to turn off automatically after 4 hours, you can set it as follows.  
First press the D2D, light will flash to enter the light-sensing mode, then press 4H button, the light flashes once, the timing set successfully. The light will automatically off after 4 hours of light, once this setting is started, the light will be cycled on and off after 4H per day.



**(2) ESC**  
Press ESC once to cancel the timing function, and the light flashes three times means that the cancellation is successful.

**(3) Slight bright mode**  
**Slight Bright ON:** start slight bright mode (this mode can only be set after the light-sensing timer function is activated), the light flashes once means it set successfully.  
**For example:** The light is on at 8:00 PM, and you want the light be in slight bright and always on after 4 hours, you can set it as follows.  
First press the D2D, light will flash to enter the light-sensing mode, then press 4H button, the light flashes once, the timing is set successfully. Then press Slight Bright ON to start the slight bright mode. The light will automatically enters the slight bright (20% brightness) mode until dawn after 4 hours normal lighting. Once this setting is activated, the light will cycle for 4 hours normal lighting every day and then enter the slight bright mode.



**Slight Bright off**  
Cancel slight bright mode

5



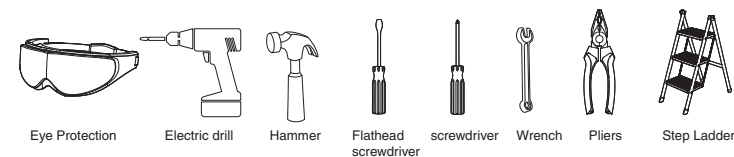
## PREPARATION

### NOTE:

Before beginning assembly of product, make sure all parts are present. Compare parts with parts list. If any part is missing or damaged, do not attempt to assemble the product. Estimated Assembly Time: 30-60 minutes.

Product appearance may vary from image shown.

### TOOLS REQUIRED (not included)



### WARNING:

**THIS PRODUCT MUST BE INSTALLED IN ACCORDANCE WITH THE APPLICABLE INSTALLATION CODE BY A PERSON FAMILIAR WITH THE CONSTRUCTION AND OPERATION OF THE PRODUCT AND THE HAZARDS INVOLVED.**

### CAUTION:

**PLEASE MAKE SURE YOUR WALL SWITCH AND POWER AT MAIN CIRCUIT BREAKER BOTH ARE OFF.**

**IF IN DOUBT ABOUT ELECTRICAL INSTALLATION, CONSULT A LICENSED ELECTRICIAN.**

6



## PREPARATION

### RISK OF SHOCK:

BEFORE BEGINNING INSTALLATION, TURN OFF ELECTRICITY AT THE CIRCUIT BREAKER BOX OR THE MAIN FUSE BOX.

### NOTE:

BE SURE TO USE WIRE NUTS/CONNECTORS RATED FOR THE CORRECT GAUGE AND NUMBER OF WIRES USED.

MAKE SURE THERE ARE NO EXPOSED WIRE BUNDLES OUTSIDE THE WIRE NUT/CONNECTOR (IF APPLICABLE).

BE CAREFUL NOT TO DAMAGE OR CUT THE WIRE INSULATION (COVERING) DURING INSTALLATION. DO NOT LET THE WIRES TOUCH ANY SHARP EDGES.

### WARNING:

DO NOT CONNECT THIS LIGHT FIXTURE TO AN UNGROUNDED ELECTRICAL SYSTEM. ATTACH GROUND FIXTURE WIRE TO EITHER GREEN GROUND SCREW ON MOUNTING PLATE OR THE GROUND WIRE IN THE OUTLET BOX.

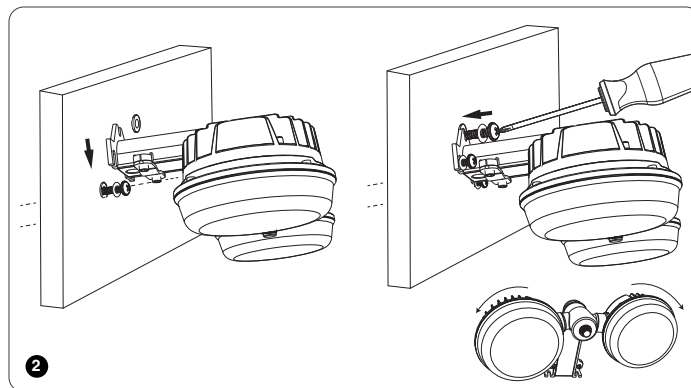
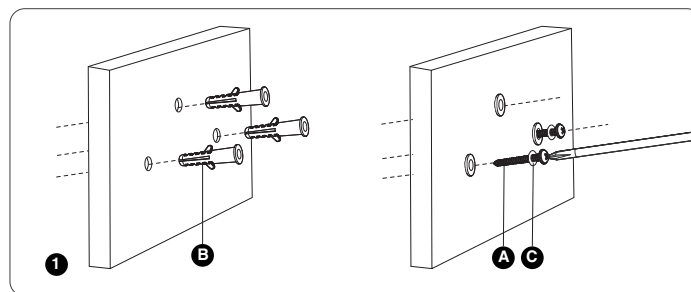
INSTALLING THIS LIGHT IN AN UNGROUNDED ELECTRICAL SYSTEM MAY CAUSE THE METAL PARTS OF THE LIGHT TO CARRY CURRENT IF ANY WIRES OR WIRE CONNECTIONS ARE DAMAGED OR LOOSE. IN THIS CASE, ANYONE WHO TOUCHES THE LIGHT WILL RECEIVE AN ELECTRIC SHOCK, RESULTING IN INJURY OR DEATH.

7



## INSTALLATION STEPS

### Installation Method I



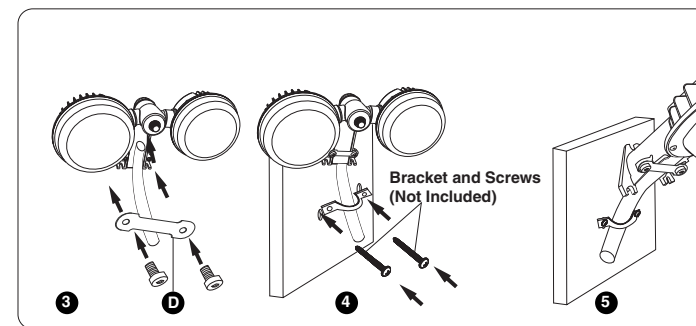
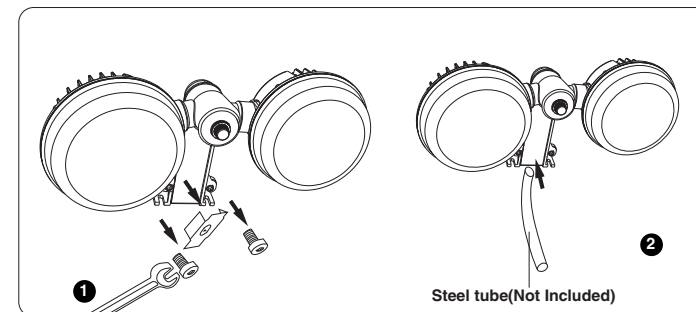
1. Measure the distance, punch holes in the wall, and install the expansion rubber plugs in them. Reserve a certain distance between the two screws and the wall.
2. Then hang the light mounting holes into the two screws, first tighten the top screws, second tighten other the two screws, and the installation is complete.

8



## INSTALLATION STEPS

### Installation Method II

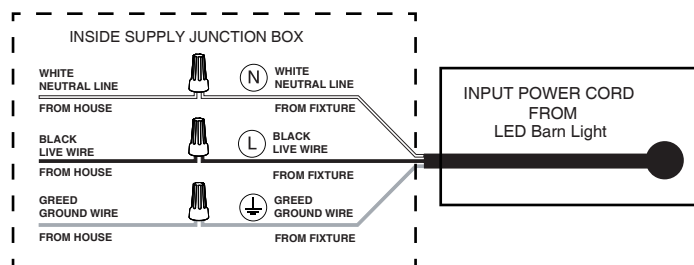


1. Remove the screws and card cover.
2. Place the steel tube into the light stand slot. (Note: Accessories do not include steel tube.)
3. Tighten the steel tube with the screws you just removed.
4. Fix it to the wall with stainless steel bracket and screws. (Note: Accessories do not include bracket and screws.)
5. Fixed as shown in the figure.

9



## CONNECT THE WIRES



Connect the black line and white line of the light with the Live line and Neutral line of main supply respectively.

Ground the green wire, and make sure the wiring is complete and grounded before powering on.

10



### FCC Warning:

Any Changes or modifications not expressly approved by the party responsible for compliance could void the user's authority to operate the equipment.

This device complies with part 15 of the FCC Rules. Operation is subject to the following two conditions:

- (1) This device may not cause harmful interference, and
- (2) this device must accept any interference received, including interference that may cause undesired operation.

Note: This equipment has been tested and found to comply with the limits for a Class B digital device, pursuant to part 15 of the FCC Rules. These limits are designed to provide reasonable protection against harmful interference in a residential installation. This equipment generates uses and can radiate radio frequency energy and, if not installed and used in accordance with the instructions, may cause harmful interference to radio communications. However, there is no guarantee that interference will not occur in a particular installation. If this equipment does cause harmful interference to radio or television reception, which can be determined by turning the equipment off and on, the user is encouraged to try to correct the interference by one or more of the following measures:

- Reorient or relocate the receiving antenna.
- Increase the separation between the equipment and receiver.
- Connect the equipment into an outlet on a circuit different from that to which the receiver is connected.
- Consult the dealer or an experienced radio/TV technician for help.

11



HK Bright International Lighting Co., Limited  
Unit 616, 6/F., Kam Teem Industrial Building, 135  
Connaught Road West, Sai Wan Hong Kong  
Manufacturer/Hersteller: MDH LIGHTING LTD  
Suite 302, 292 Strovolos Avenue, 2048 Strovolos Nicosia,  
Cyprus

UK Importer: MDH LIGHTING LTD  
69 Aberdeen Avenue, Cambridge CB2 8DL,  
United Kingdom

Made in China

✉ support@onforuled.com 🌐 www.onforuleds.com

