

Solar Powered Security Light

Quick Start Guide

MODEL: BDTYDA10BL

TABLE OF CONTENTS

SAFETY INSTRUCTIONS.....02-03
 COMPONENTS AND STRUCTURE.....04
 SPECIFICATIONS.....05
 PAIRING LED LIGHT.....06-10
 PREPARATION.....11
 INSTALLATION STEPS12-15
 OPERATION INSTRUCTION.....16
 FAQ.....17
 FCC ID.....18

SAFETY INSTRUCTIONS

SAVE THESE INSTRUCTIONS

This product is solar powered. The solar panel should be installed on the position with direct sunlight for the longest time.

This product is not a toy. Do not let children play it as a toy.

This product has not been used for a long time. When used again, it needs to be charged by sunlight before it can be used.

Regularly wipe the surface of the solar panel with a dry towel. Dust and stains on the surface will affect the charging of the solar panel.



SAFETY INSTRUCTIONS

This product has a built in battery. Do not directly burn the damaged product with fire.

This product is operated by battery. Keep it away from high temperature objects when using, especially the environments with temperatures higher than 85°C (185°F). Please do not use this product in a corrosive gas or humid environment.

The motion light can be mounted indoors, but the solar panel must be installed outdoors to receive light from the sun.

To reduce the risk of strangulation, the flexible wiring connected to this luminaire shall be effectively fixed to the wall if the wiring is within arm's reach.

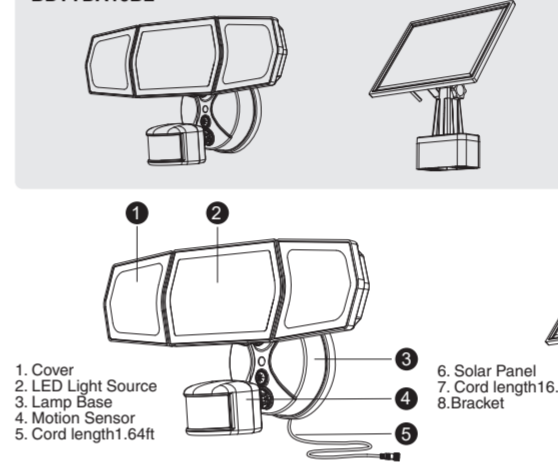
Dispose of the lithium in battery in accordance with local, state and federal regulations.

3



COMPONENTS AND STRUCTURE

BDTYDA10BL



PARTS LIST

- A Machine Screw QTY: 5
- B Expansion Rubber Plug QTY: 5
- C Mounting Bracket QTY: 1
- D Long Machine Screw QTY: 1
- E Silicone Gasket QTY: 1

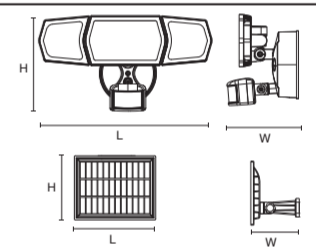
4



SPECIFICATIONS

Solar Powered Security Light	
Model	BDTYDA10BL
Input Voltage	3.6V ^{nom}
Input Current	2.8A
Rated Power	10W
CCT	2700-6500K
CRI	≥80
Li-ion Battery	3.7V 1500mA ^h 2
Beam Angle	120°
ta	-20-40°C/-4°F-104°F
Luminaire Location	SUITABLE FOR WET LOCATIONS
DIMENSIONS	
Model	BDTYDA10BL
Dimensions (LxHxW)	Light: 363x142x181mm / 14.29x5.59x7.13 in Solar Panel: 175x110x138mm / 6.89x4.33x5.43 in
Weight	Light: 0.64 kg / 1.41 lb Solar Panel: 0.32 kg / 0.71 lb

Note: The testing standard of the product's luminous flux. Place the three/two lights on the same horizontal surface for testing, and the tested luminous flux is the accurate luminous flux.

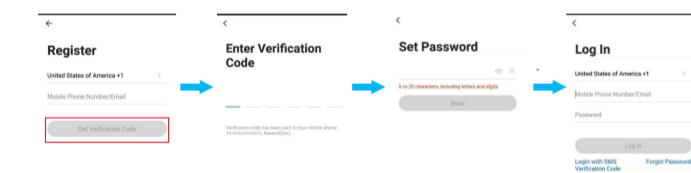


5

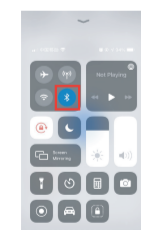


PAIRING LED LIGHT WITH "Onforu" APP

Step 1: "Onforu Home" App Download. There are 2 options for obtaining and downloading the "Onforu Home" App on your smart device. 1. Scan the QR code on the right. 2. Search for "Onforu Home" in the App Store or Google Play.



Step 2: Enter the "Onforu Home" App. Register an account and log in. If you already have an account for Onforu Home App, please select "Log in with existing account".



Step 3: Please turn on the Bluetooth before connecting LED lights to the "Onforu Home" App.

6



Step 4: How to pair the LED Light

Set the light to the pending pairing state. 1. Power on the LED Light. 2. Turn the light on and off 3 times until it starts flashing, indicating that the light is ready for pairing.

Method 1



1. Tap "+" button on top right corner and tap "Add Device" to add device. 2. The app will automatically search for the device. After discovering the device, tap "Add". 3. Wait for the device to register (about 30-60s).



4. Tap "Next" to complete the light pairing. 5. You can tap " / " to change the device name. 6. Tap "Done" to enter the control panel.

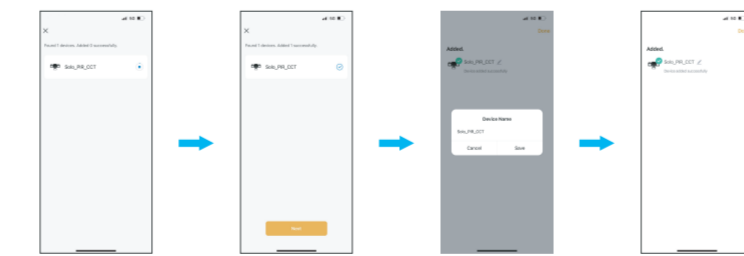
7



Method 2



1. Tap "+" button on top right corner and tap "Add Device" to add device. 2. Tap "Lighting" and then "PIR Light(BLE)" to enter next page. 3. Tap the "Next" button to pair the LED Light.



5. Wait for the device to register (about 30-60s). 6. Tap "Next" to complete the light pairing. 7. You can tap " / " to change the device name. 8. Tap "Done" to enter the control panel.

8

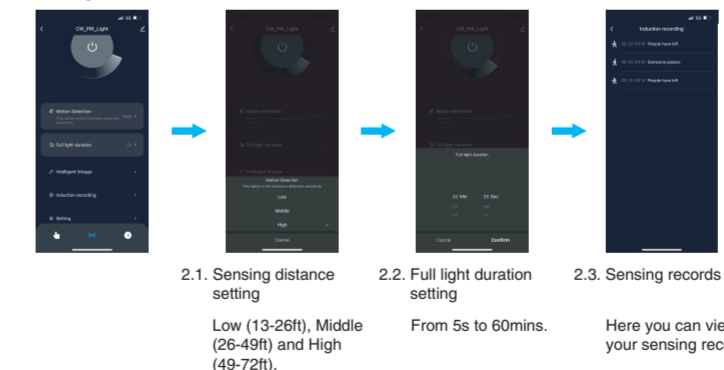


HOW TO OPERATE THE APP

1. Color Temperature and Brightness Adjustment



2. Motion Sensing Settings



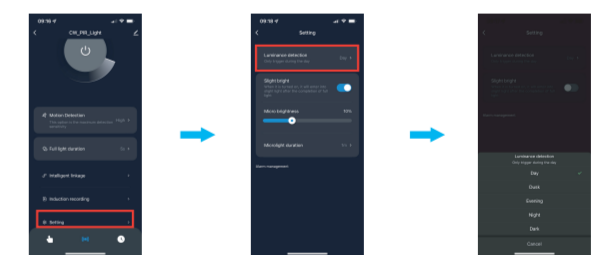
2.1. Sensing distance setting: Low (13-26ft), Middle (26-49ft) and High (49-72ft). 2.2. Full light duration setting: From 5s to 60mins. 2.3. Sensing records: Here you can view your sensing records.

9



HOW TO OPERATE THE APP

3. Dusk-to-Dawn Settings



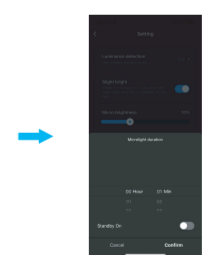
The sensitivity can be set to Day, Dusk, Evening, Night and Dark, and the light will be on at the selected time.

4. Slight Bright Mode



Here you can choose the slight bright mode and its brightness.

5. Timing Settings



4.1. Microlight duration setting: Microlight duration can be set from 1min to 8hrs, or it can be set to be always on.

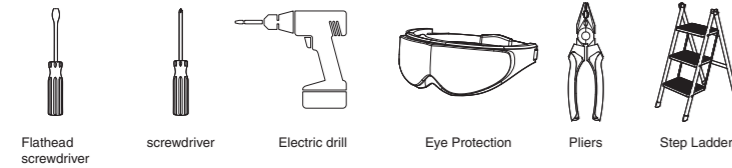
10



PREPARATION

NOTE:
Before beginning assembly of product, make sure all parts are present. Compare parts with parts list. If any part is missing or damaged, do not attempt to assemble the product.
Estimated Assembly Time: 20-30 minutes.

TOOLS REQUIRED (not included)



11

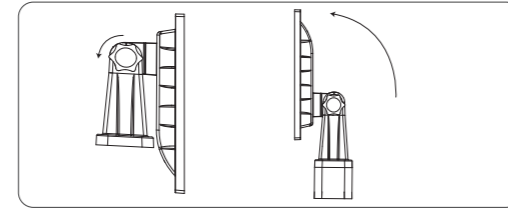


INSTALLATION STEPS

1. Install the solar panel

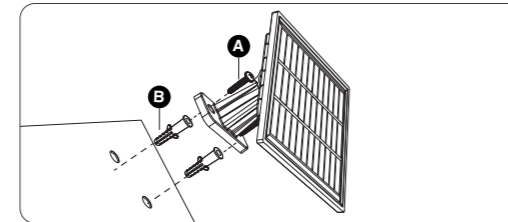
NOTE: Make sure your solar panel is placed in a sunny location, and be aware of objects such as trees or overhangs from your property that may block the panel from receiving sunlight.

1.1 Loosen the screws counterclockwise and adjust the angle of the bracket.



1.2 Drill 2 holes in the selected mounting surface and fix the solar panel to the wall with the plastic expansion rubber plugs and screws.

NOTE: Please measure and determine the distance and size of the holes before drilling.



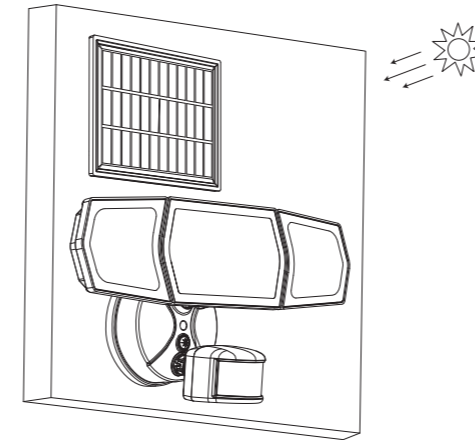
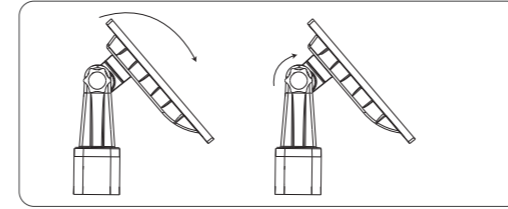
12



INSTALLATION STEPS

1.3 Adjust the position of the solar panel and tighten the screws clockwise.

Note: Install the solar panel in the sunniest location, that is, the best place is facing south.



13

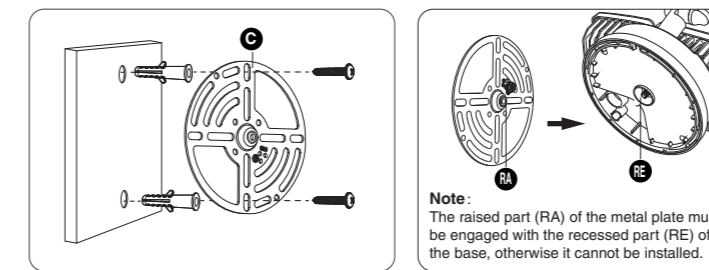


INSTALLATION STEPS

2. Install the light

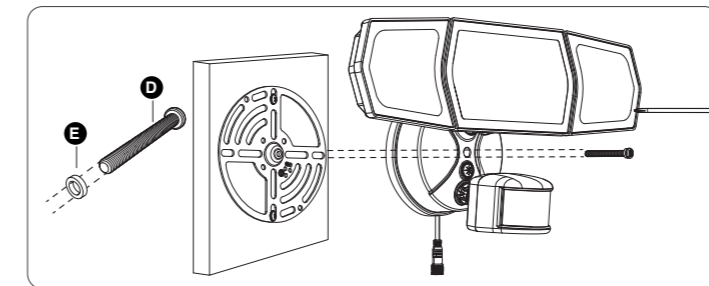
2.1 Drill 2 holes in the wall and fix the metal plate to the wall with the plastic expansion tubes and screws.

Note: Please measure and determine the distance and size of the holes before drilling.



Note:
The raised part (RA) of the metal plate must be engaged with the recessed part (RE) of the base, otherwise it cannot be installed.

2.2 Insert the long screw into the light base hole, tighten the screw to the metal plate with a screwdriver to make sure the light is firmly fixed.



14

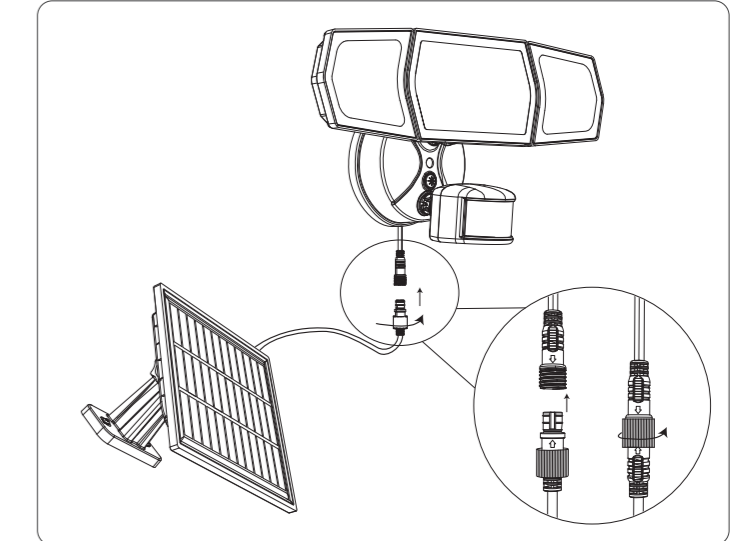


INSTALLATION STEPS

2.3 Connect the light and the solar panel

Connect the light and the solar panel, insert the male and female connectors with the arrows aligned as shown in the diagram, then tighten the waterproof cap.
NOTE: Inserting the connectors without the arrows aligned will burn out the light.

Note: From time to time, make sure that the plug between the solar panel and the light is securely connected.

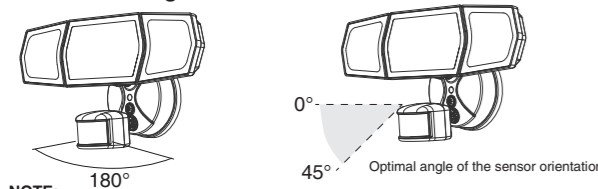


15



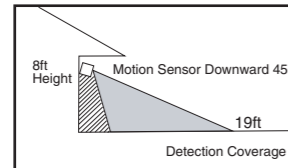
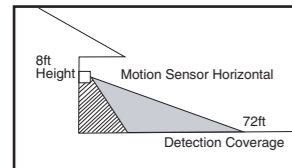
OPERATION INSTRUCTIONS

Detection Range: 180°



NOTE:
1. The PIR sensor shall always be tilted slightly downward.
2. The orientation angle of the sensor shall be between 0-45°.

RECOMMENDED INSTALLATION HEIGHT: 6.5-13.1 feet above the ground.

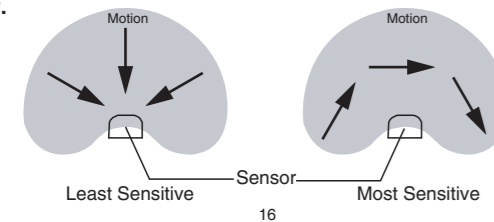


When mounted 8ft above the ground and the sensor is oriented horizontally, the maximum sensing distance is about 72ft.

When mounted 8ft above the ground and the sensor is 45° down, the minimum sensing distance is about 19ft.

Note: The detection distance of the sensor is the farthest when the ambient temperature is 25°C. Any temperature fluctuations above or below 25°C will affect the detection distance. If the light continues to detect motion while it is on, it will remain on until the motion stops.

The sensor will be more sensitive to motion across the motion towards it directly.



16



FAQ

Where is the solar panel installed?

Install the solar panel in the sunniest location, that is, the best place is facing south.

Why can't the solar panel be charged?

1. The solar panel can charge the internal battery by direct or indirect light. Please adjust the solar panel installation position for best charging effect.
2. It is advisable to adjust the angle of the solar panel to optimize the exposure of the sun in winter.
3. The solar panel should be cleaned by a damp cotton cloth on a regular basis, this will ensure optimal performance and better charging. Also, periodically use the same way to clean the lenses of the security light.
4. Make sure your solar panel is placed in a sunny location, and be aware of objects such as trees or overhangs from your property that may block the panel from receiving sunlight.

Why doesn't the lights work?

1. Please make sure that the battery has enough power.
2. You can turn off the light, then let the solar panel charge for about 1-2 hours. Turn the light on again after the battery is fully charged, and it will work normally.
3. From time to time, ensure the plug between the solar panel and light is securely connected.

Can additional or extended cable wire for the solar panel be purchased?

No extension cords are available for purchase.

What type of the batteries of this security light ?

The batteries type is 2pcs 3.7V 18650 1500mAh Lithium-ion rechargeables batteries.

17



FCC ID: 2A3W8BDTYDA10BL

FCC Warning:

Any Changes or modifications not expressly approved by the party responsible for compliance could void the user's authority to operate the equipment.

This device complies with part 15 of the FCC Rules. Operation is subject to the following two conditions:

- (1) This device may not cause harmful interference, and
- (2) this device must accept any interference received, including interference that may cause undesired operation.

Note: This equipment has been tested and found to comply with the limits for a Class B digital device, pursuant to part 15 of the FCC Rules. These limits are designed to provide reasonable protection against harmful interference in a residential installation. This equipment generates uses and can radiate radio frequency energy and, if not installed and used in accordance with the instructions, may cause harmful interference to radio communications. However, there is no guarantee that interference will not occur in a particular installation. If this equipment does cause harmful interference to radio or television reception, which can be determined by turning the equipment off and on, the user is encouraged to try to correct the interference by one or more of the following measures:

- Reorient or relocate the receiving antenna.
- Increase the separation between the equipment and receiver.
- Connect the equipment into an outlet on a circuit different from that to which the receiver is connected.
- Consult the dealer or an experienced radio/TV technician for help.

This equipment complies with FCC radiation exposure limits set forth for an uncontrolled environment. This equipment should be installed and operated with minimum distance 20cm between the radiator & your body.

18



Manufacturer / Hersteller:
Shen Zhen Shi Meng Zhi Tuo Ke Ji You Xian Gong Si
Address: qian wan yi lu 1 hao A dong 201 shi qian hai shen gang he zuo qu Shen Zhen, Guang Dong, 518000, CN
support@onforuled.com www.onforuleds.com

[EU REP] MDH LIGHTING LTD
Suite 302, 292 Strovolos Avenue, 2048 Strovolos
Nicosia, Cyprus | support@onforuled.com

[UK REP] MDH LIGHTING LTD
69 Aberdeen Avenue, Cambridge CB2 8DL,
United Kingdom | support@onforuled.com

Made in China

