

LN Lighting technical data

LED PHOTOELECTRIC CONTROL DUSK TO DAWN LIGHT, Outdoor Security
LED flood light Knuckle Mount, 100 w, waterproof and outdoor
LED light

Lighting technical data
LED FLOOD LIGHT is an alternative light source
with longer life and uniformed light distribution



RoHS

IP66

LED FLOOD LIGHT



Usage scenario



LED FLOOD LIGHT



Line-Up

Model No.	Watts(W)	Light Output(lm)	Dimension(mm)	Light Color(K)	Beam Angle(Degree)
LN-FL100-U-LS-CW-BR-U-C-X00	100 ± 10%	14000 -10%	215*150*65	6500K	60*120
LN-FL100-U-LS-QW-BR-U-C-X00	100 ± 10%	14000 -10%	215*150*65	5000K	60*120

Technical Specifications

Item	Test Conditions	Min.	Typ.	Max.
Input Voltage(V, rms)	AC	100	220	277
Input Current(mA, rms)	AC(120V)	---	455	---
Input Power(W, rms)	AC(All)	---	100	---
Input Frequency(Hz)	AC	---	50 / 60Hz	---
Power Factor(PF)	AC(All)	≥0.9		
ON-OFF Levels	Lx	10~20Lx On (Dusk),30~60Lx Off (Dawn)		

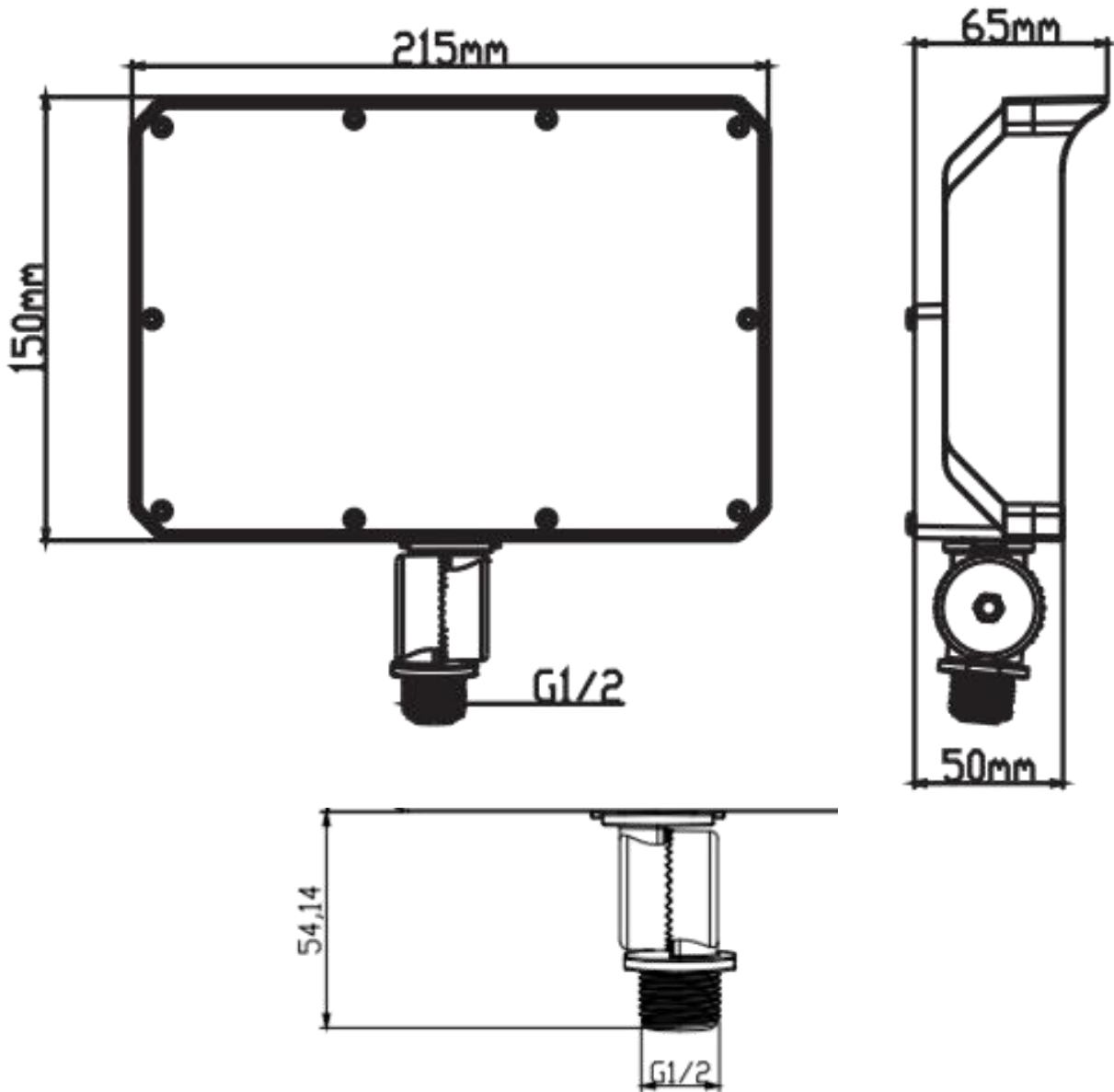
Environmental Requirements

Specifications	Values
Operational Temperature Range	-40~40℃
Preservation Temperature Range	-40~90℃
Operational Humidity Range	95%Rh or below (@-20~40℃)
Installation Area	Outdoor (Counter,Residential,Commercial,etc)

LED FLOOD LIGHT



Drawing



Material	IP
ADC12	IP66
PC	

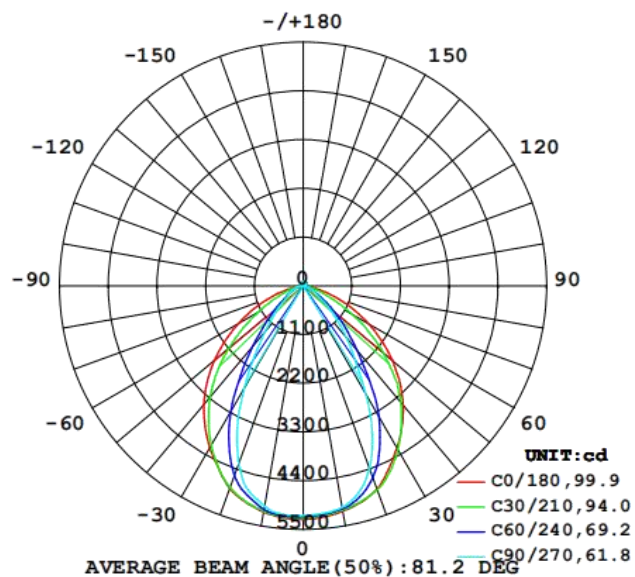
LED FLOOD LIGHT



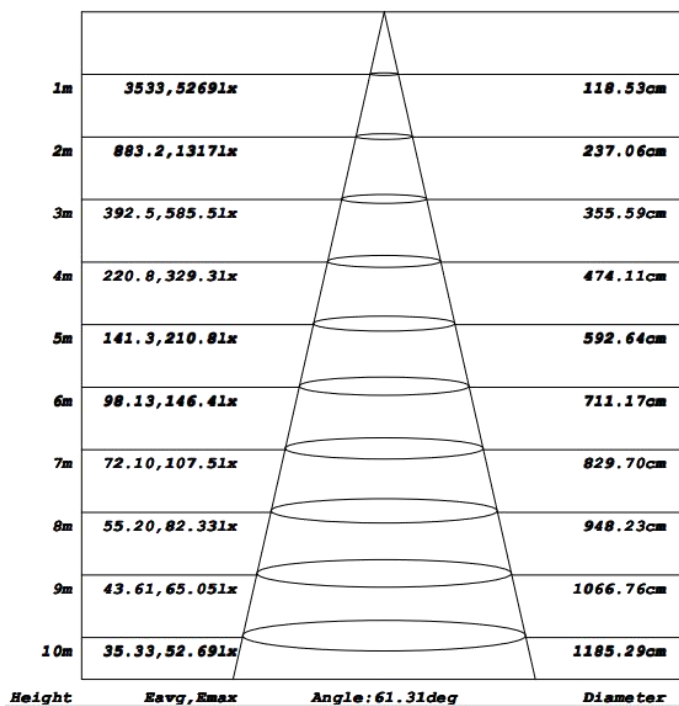
LN-FL100-U-LS-CW-BR-U-C-X00

Category	Specifications	Unit
Watts	100	W
Lumens per Watt(Efficacy)	140	Lm/W
Light Output	14000	lm
Light Color(CCT)	6500	K
Beam Angle	60*120	°(degree)
Color Accuracy(CRI)	70	Ra
Product Weight	1500	G
Rating Life	50000	H
Base	Line interface	
Input Voltage	100-277	V

Luminance Intensity Distribution



Cone Lux Diagram



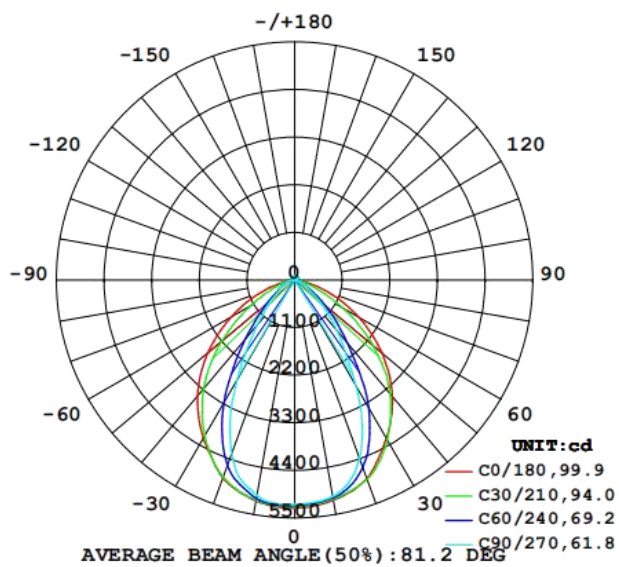
LED FLOOD LIGHT



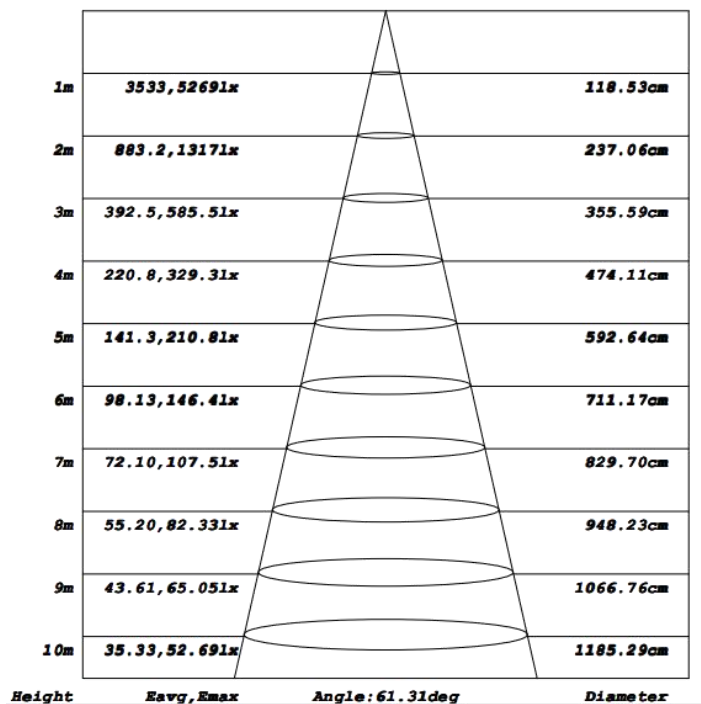
LN-FL100-U-LS-QW-BR-U-C-X00

Category	Specifications	Unit
Watts	100	W
Lumens per Watt(Efficacy)	140	Lm/W
Light Output	14000	lm
Light Color(CCT)	5000	K
Beam Angle	60*120	°(degree)
Color Accuracy(CRI)	70	Ra
Product Weight	1500	G
Rating Life	50000	H
Base	Line interface	
Input Voltage	100-277	V

Luminance Intensity Distribution



Cone Lux Diagram



LED FLOOD LIGHT



Product Packaging	Specifications	Unit
Product Dimension	215*150*65	mm
Net Weigh	1.5	Kg
Size of box	222*200*92	mm
Gross Weight	1.6	Kg
Size of Carton	475*340*440	mm
Qty/ Carton	12	PCS
Weight/ Carton	20.2	Kg

Revision History

Mtime	Changed to: VER	Description of Change		
		Item	From	To