

# LED Solar Landscape Light

Switchable Power and CCT

bigger solar panel, long life, and brightness.



 SOLAR CHARGE BY DAY

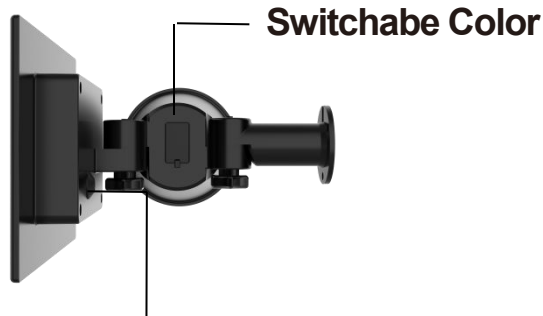
 AUTO ON BY NIGHT



HIGH LIGHT



LOW LIGHT



ON/OFF and Switchable brightness

## Features:

- ◆ **Easy to Install:** No wire need, just turn on the A,B or C modes and it will work automatically. Make your life safer and more convenient. (No ambient light on solar panel at night)
- ◆ **Independently Adjustable Light & Panel:** Other alternatives with combined light panel head could be very difficult to get enough solar absorption while pointing the light up. For our solar lights for outside, you can easily rotate solar spotlights panel 120° up and down to capture sun energy effectively while obtaining the best lighting angle; you can easily rotate the light head is 120° up and down to light up where you want.
- ◆ **Advanced 3W Monocrystalline Silicon Solar Panel:** The solar energy conversion rate is 30% faster than the old versions by using upgraded technology and material. Solar lights outdoor detect the surrounding light condition and automatically turn on and off, a smooth panel surface keeps dirt and debris from accumulating and blocking sunlight.
- ◆ **Two Ways of Easy Installation:** Package comes in a kit that includes all the tools you need to install the solar spotlights by either staking them into the ground or by mounting them onto a wall. Optimum for Patio Porch Path Deck Pool Yard Garden Garage Driveway Pathway, etc.
- ◆ **Models:OFF:Light turn off.A:Light turn ON,Color temperautre is daylight of 5000K.B:Light turn ON,Color temperautre is warm white of 3000K.C:Light turn ON,Color is Green.**

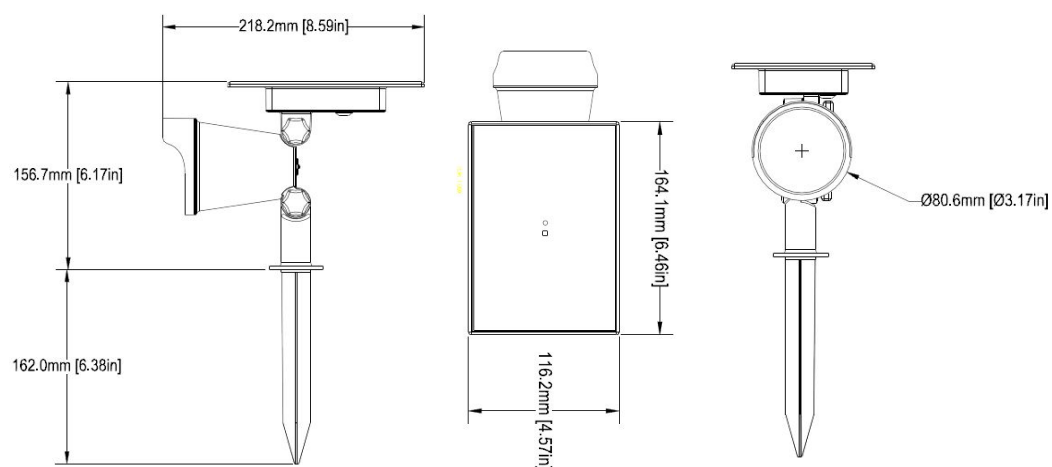
## Specifications:

Model	Wattage	Input Voltage	Solar panel power	Battery	Luminous Flux	Color Temperature	Beam Angle	Working time	Charge time(full sunlight)	Operation Temperature
PAL1-1W-45	1W	3.7V	3W	4000mAh	200lm	3000K/5000K/Green	45°	12Hrs	6-8Hrs	-40°C~50°C

## Dimension:

Unit: mm

SIZE	1W
L	218.2
W	116.2
H	156.7



## Note:

The Switch must leave at A,B or C position,When the light charging.