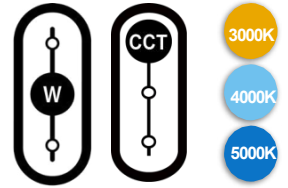


LED Shoe Box Light

Power and CCT Adjustable



Switchable Wattage and CCT

180lm/W LED Shoe Box

Cost-Effective , superior performance

Elegant appearance



60 / 80 / 100 W

120 / 150W

200W

300W

400W





Photocell (Option)

Optional photocell allows for security and energy saving



Optics

Zero uplight distributions. Independently designed optical lens, using anti-UV material to maximize the lighting effect while reducing glare.

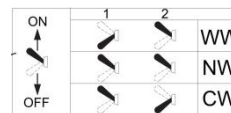
Motion Sensor(Option)

PIR Sensor and plug in and play
Microwave Sensor optional.

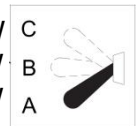


Power and CCT controller

The wattage and CCT can be changed by switch selection on the controller, it easy and very fast to meet the varied requirements.



C:150W
B:200W
A:120W



Features:

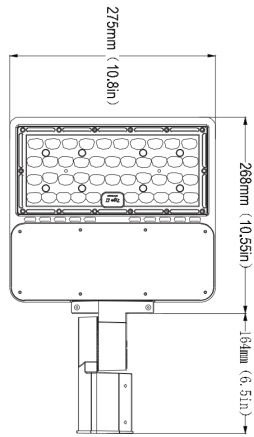
- ◆ Light Efficiency: 140lm/W-180lm/W
- ◆ Heavy duty die cast aluminum housing with ample heat sinking;
- ◆ High bright SMD 2835/3030,LM80 listed
- ◆ Optics of Type II / III / IV / V available on request
- ◆ Low-profile design delivers high-performance illumination and improves application site aesthetics
- ◆ Integrated NEMA/ANSI C136.10 3-pin twist-lock receptacle with shorting cap, standard on all fixtures, simplifies ordering requirements for photo control needs
- ◆ IP66/IK08/4KV rating for outdoor usage
- ◆ Four contractor-friendly mounting options available (sold separately): slip fitter mount, adjustable pole mount for square and round poles, fixed pole mount for square and round poles, and trunnion mount
- ◆ 0-10V or 1-10V dimming for low power consumption
- ◆ ETL/cETL/SAA/DLC/C-TICK/FCC/CE/RoHS approval
- ◆ 7 years warranty

Specifications:

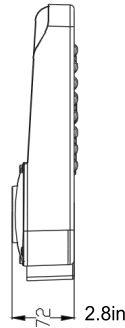
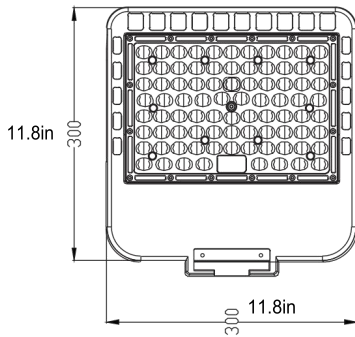
Model	SBLHL 60	SBLHL 80	SBLHL1 00	SBLHL 120	SBLHL 150	SBLXW200	SBLXW300	SBL400				
Wattage	60W	80W	100W	120W	150W	200W	300W	400W				
Input Voltage	100-277V/277-480V/100-347V,50 / 60 Hz											
Luminous Flux	9600lm-10800lm	12000lm-14400lm	14000lm-18000lm	15600lm-21600lm	22500lm-27000lm	28000lm-36000lm	45000lm-54000lm	60000lm-72000lm				
Color Temperature	3000K/ 4000K/ 5000K/5700K/ 6500K											
Beam Angle	Type II / III / IV / V											
CRI	Ra70 (Ra80 or Ra90 optional)											
PF	≥0.95											
Operation Temperature	-40°C to + 50°C (-40°F to 122°F)											
Net Weigh(kg/lbs)	2.8 /6.2		2.9 /6.4		3.1 /6.8		4.2 / 9.3		6.1 / 13.4		7.4 / 16.3	
GrossWeight (kg/lbs)	3.2 /7.1		3.3 /7.3		3.5 /7.7		4.8 / 10.6		6.8 / 15		8.6 / 19	
Size Of Box(mm/in)	400*310*85 / 15.7*12.2*3.3					385*360*190 / 15.2*14.2*7.5		690*375*140 / 27.2*14.8*5.5		575*480*115 / 22.6*18.9*4.5		
QTY/CTN	5					1		1		1		
GW/CTN	17.5 / 38.6		18 / 39.7		19 / 41.9		4.8 / 10.6		6.8 / 15		8.6 / 19	
Size Of CTN(mm/in)	440*340*500 / 17.3*13.4*19.7					385*360*190 / 15.2*14.2*7.5		690*375*140 / 27.2*14.8*5.5		575*480*115 / 22.6*18.9*4.5		

Dimension:

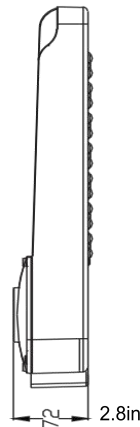
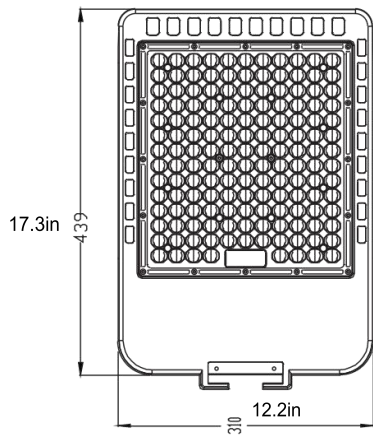
Unit: mm/in



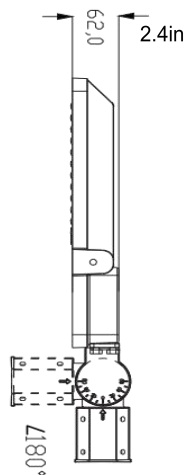
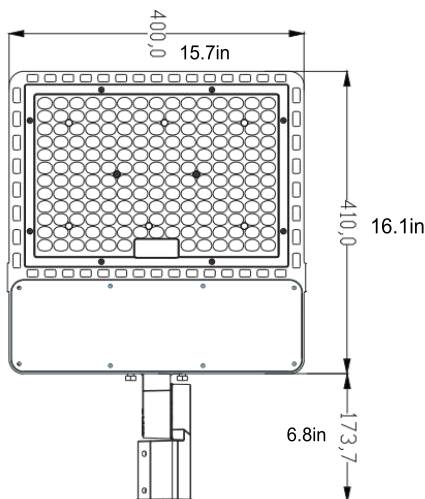
SBLHL60/80/100/120/150



SBLXW200



SBLXW300

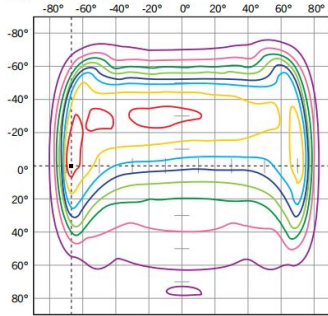


SBL400

Light Distribution Patter:

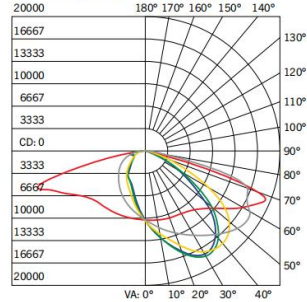
PHOTOMETRIC SPECIFICATIONS (TYPE II [2])

ISOCANDELA PLOT



--- Point of Max Cd: 19527.4
 Cd: 17521, 90% Cd: 7787, 40%
 Cd: 14601, 75% Cd: 5840, 30%
 Cd: 11681, 60% Cd: 3893, 20%
 Cd: 9734, 50% Cd: 1947, 10%

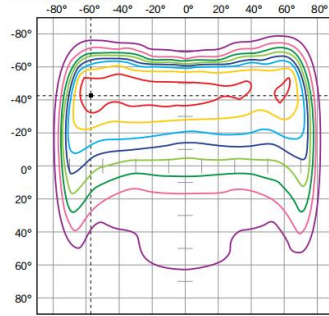
POLAR CANDELA DISTRIBUTION



■ : 0° H ■ : 22.5° H ■ : 67.5° H
 ■ : 90° H ■ : 45° H

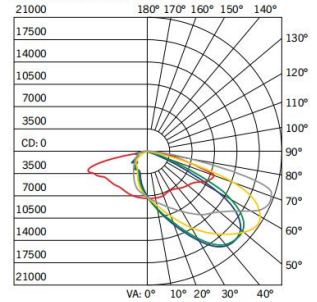
PHOTOMETRIC SPECIFICATIONS (TYPE III [3])

ISOCANDELA PLOT



--- Point of Max Cd: 20964.5
 Cd: 18738, 90% Cd: 8328, 40%
 Cd: 15615, 75% Cd: 6246, 30%
 Cd: 12492, 60% Cd: 4164, 20%
 Cd: 10410, 50% Cd: 2082, 10%

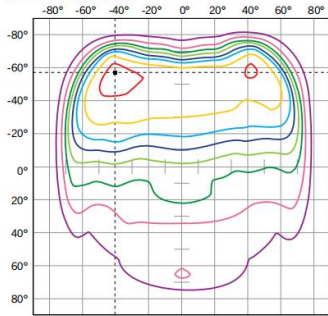
POLAR CANDELA DISTRIBUTION



■ : 0° H ■ : 22.5° H ■ : 67.5° H
 ■ : 90° H ■ : 45° H

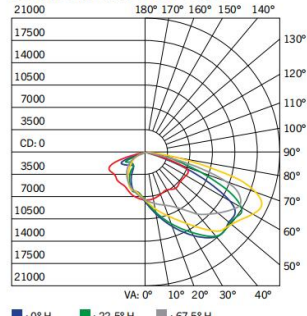
PHOTOMETRIC SPECIFICATIONS (TYPE IV [4])

ISOCANDELA PLOT



--- Point of Max Cd: 20086.3
 Cd: 18004, 90% Cd: 8002, 40%
 Cd: 15004, 75% Cd: 6001, 30%
 Cd: 12003, 60% Cd: 4001, 20%
 Cd: 10002, 50% Cd: 2000, 10%

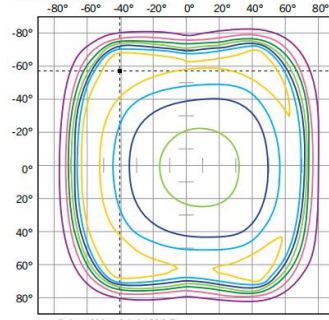
POLAR CANDELA DISTRIBUTION



■ : 0° H ■ : 22.5° H ■ : 67.5° H
 ■ : 90° H ■ : 45° H

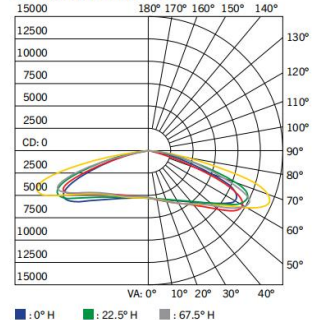
PHOTOMETRIC SPECIFICATIONS (TYPE V [5])

ISOCANDELA PLOT



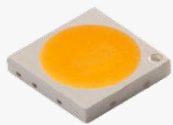
--- Point of Max Cd: 14890.5
 Cd: 13302, 90% Cd: 5912, 40%
 Cd: 11085, 75% Cd: 4434, 30%
 Cd: 8868, 60% Cd: 2956, 20%
 Cd: 7390, 50% Cd: 1478, 10%

POLAR CANDELA DISTRIBUTION



■ : 0° H ■ : 22.5° H ■ : 67.5° H
 ■ : 90° H ■ : 45° H

Details:



- High bright SMD 2835/3030, Lm80 listed.



- LED driver, 1-10V or 0-10V dimming, high reliable, offer 7 years warranty.



- The switch selector allows customers to simply select different wattages and CCT.



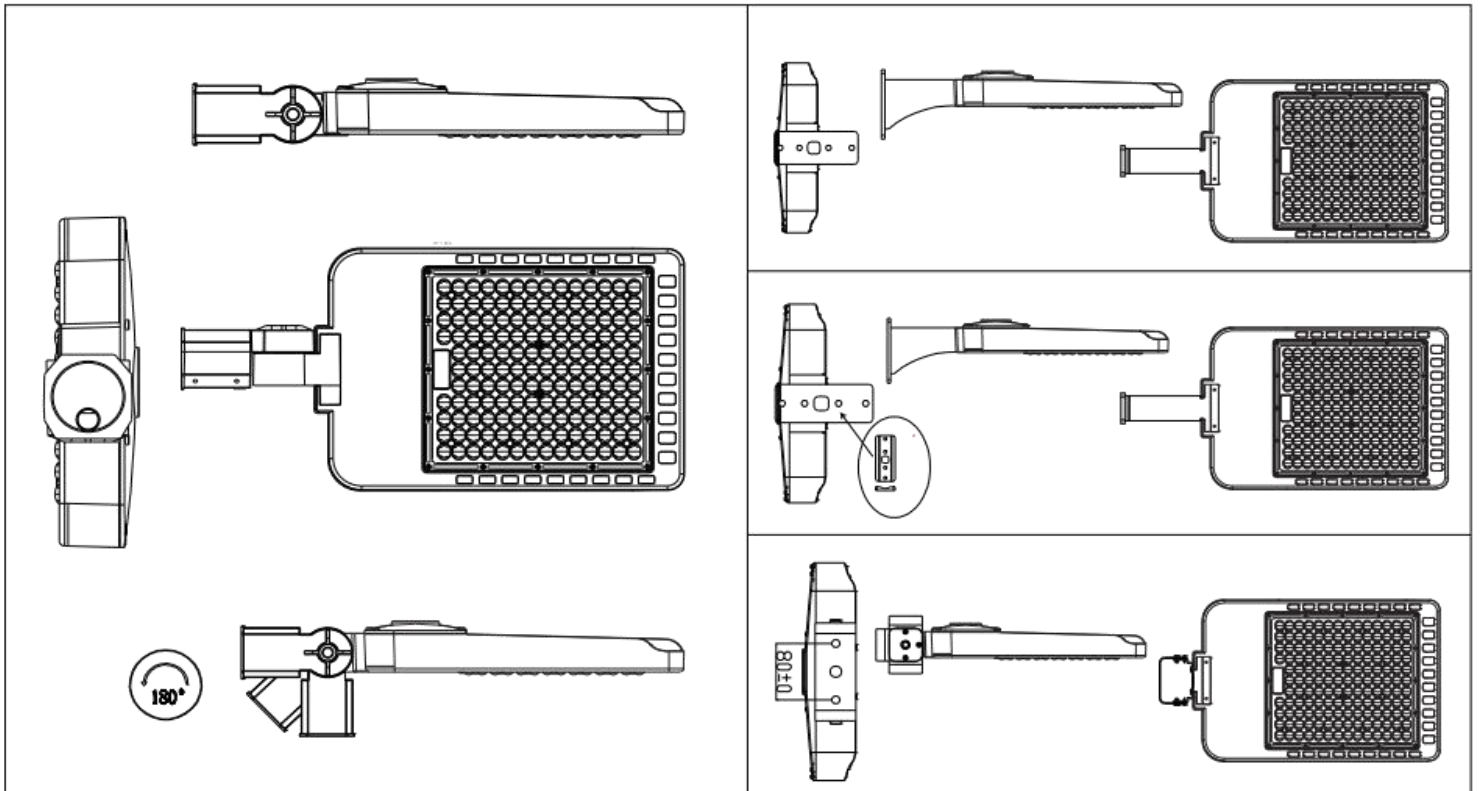
- Vent design Avoid fogging and frosting.

Application:

LED Streetlights for urban roads, residential areas, industrial areas, sidewalks, squares, parks, schools, villas, gardens and other places lighting.



Installation:



WIRING:

RISK OF FIRE: Universal voltage driver permits operation at 100V through 277V, 277V through 480V, 100V through 347V, 50 or 60 Hz. For 1-10V or 0-10V dimming follow wiring directions as shown in Fig. 1. For non-dimming, follow the wiring directions as shown in Fig. 2.

Fig.1

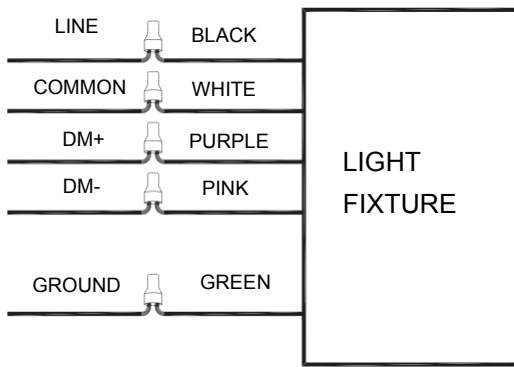
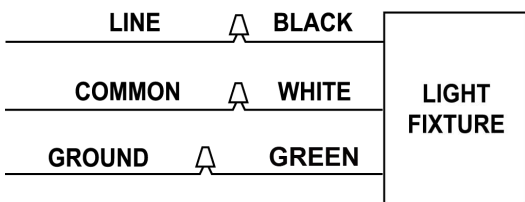


Fig.2

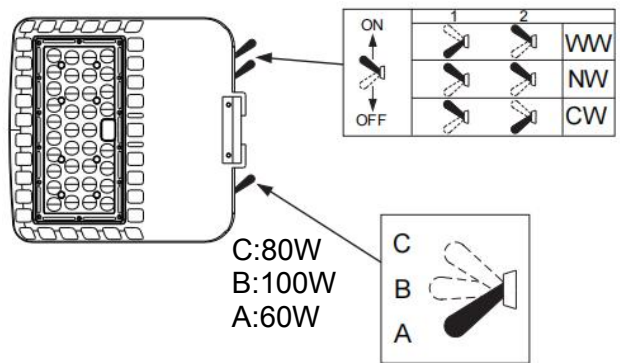


FIELD-ADJUSTABLE CCT & WATTAGE:

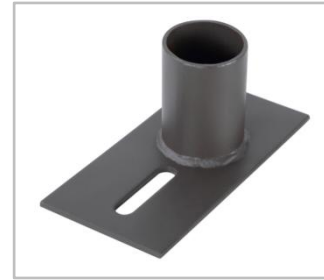
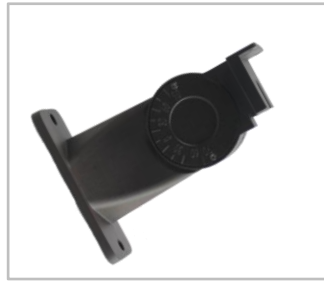
Follow instructions below to change the Fixture Power (W) and/or Color Temperature (CCT) from factory settings:

1. Locate the Field Adjustable Switches on Fixture Housing as shown below.
2. Select Power (W) and/or Color Temperature (CCT) by sliding respective switch to the desired value (Fig.3).

Fig.3



Optional Accessories:



Revision History				
MTime	Changed to: VER	Description of Change		
		Item	From	To