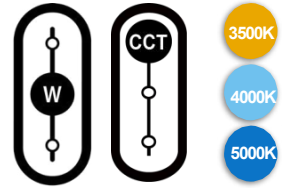
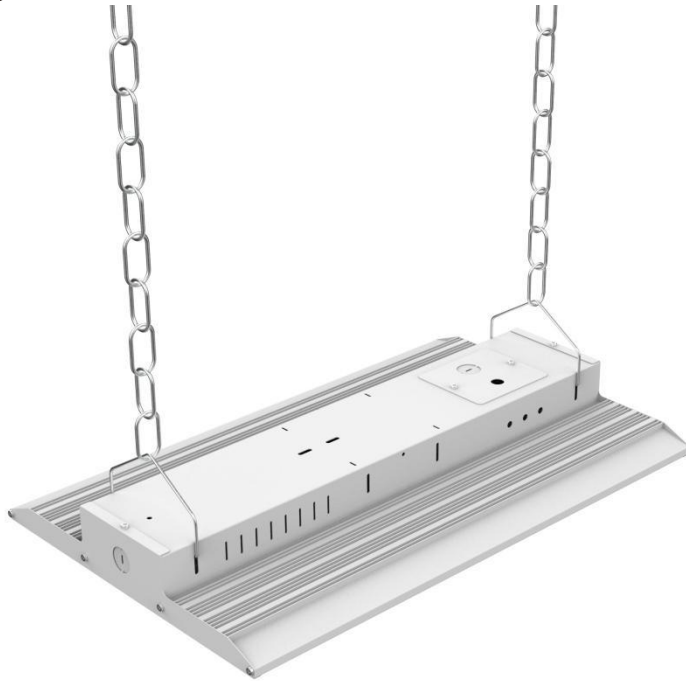


# LED Linear High Bay

Power and CCT Adjustable



## Switchable Wattage and CCT



## Features:

- ◆ Ultra-economy, low profile, lightweight high bay;
- ◆ Available in three different sizes with field-adjustable wattage and CCT to give you 9 SKUs in 1;
- ◆ 14" (160/120/80W) - Default wattage: 160W 20" (300/240/160W) - Default wattage: 300W 39" (400/350/300W) - Default wattage: 400W;
- ◆ . CCT: 5000/4000/3500K - Default CCT: 4000K;
- ◆ . Voltage rating: 120-277V.120-347V 480V available;
- ◆ . Includes a sensor port to easily install standard or lightcloud blue enabled PIR/MVS sensors. Multi-sensor remote sold separately;
- ◆ Wire guards, surface and pendant mount kits available;
- ◆ Light Efficiency: 135lm/W-155lm/W;
- ◆ Unique design, multiple power settings controlled by a dip switch;
- ◆ High bright SMD 2835/3030,LM80 listed;
- ◆ Matte Lens 90°;
- ◆ Excellent thermal management design;
- ◆ Housing IRON + Aluminum;
- ◆ Energy savings, no UV and IR radiations, emits low heat;
- ◆ 0-10V or 1-10V dimming for low power consumption;
- ◆ UGR<28 (X=4H, Y=8H; S/H=1; Reflectances: 70%/50%/20%)
- ◆ No strobe, Light is soft and uniform, safe to eye;
- ◆ No UV or IR in the beam;
- ◆ Instant start, NO flickering, NO humming;
- ◆ Green and eco-friendly without mercury;
- ◆ 7 years warranty.

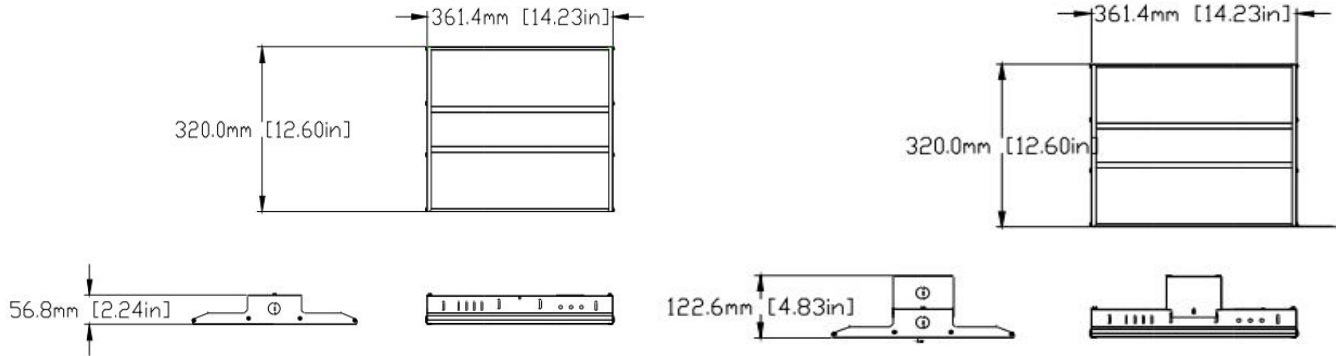
## Specifications:

Model	LNHB80	LNHB120	LNHB160	LNHB160	LNHB240	LNHB300	LNHB300	LNHB350	LNHB400
<b>Wattage</b>	80W	120W	160W	160W	240W	300W	300W	350W	400W
<b>Input Voltage</b>	120-277V/277-480V/120-347V								
<b>Luminous Flux</b>	10800lm	1620lm	21600	21600lm	32400lm	40500lm	40500lm	47250lm	54000lm
<b>Color Temperature</b>	3500/4000/5000K								
<b>Beam Angle</b>	90°								
<b>CRI</b>	>Ra80								
<b>PF</b>	≥0.95								
<b>Operation Temperature</b>	-40°C~50°C								
<b>Net Weigh(kg/lbs)</b>	2.3/5.1			3.5/7.7			4.9/10.8		
<b>GrossWeight(kg/lbs)</b>	2.7/5.9			3.95/8.7			5.5/12.1		
<b>Size of box(mm/in)</b>	410*330*75/126.1*13.0*3.0			550*330*75/21.7*13.0*3.0			750*330*75/29.5*13.0*3.0		

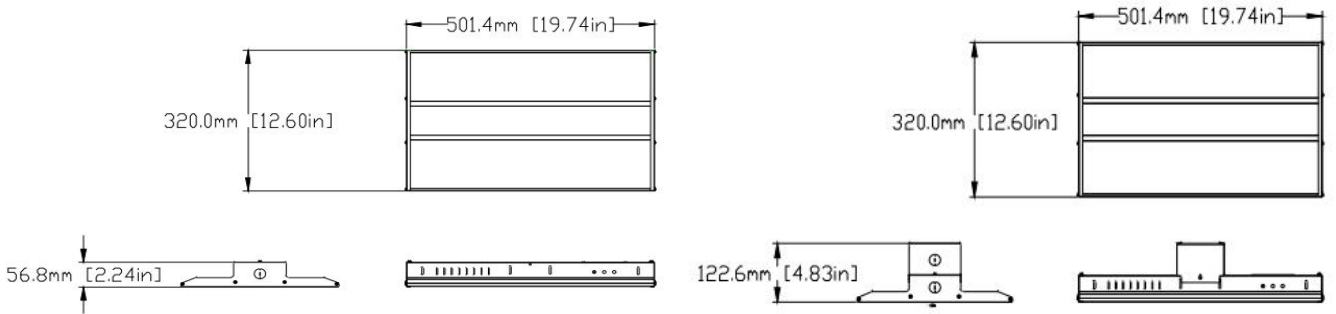
## Dimension:

Unit: mm/in

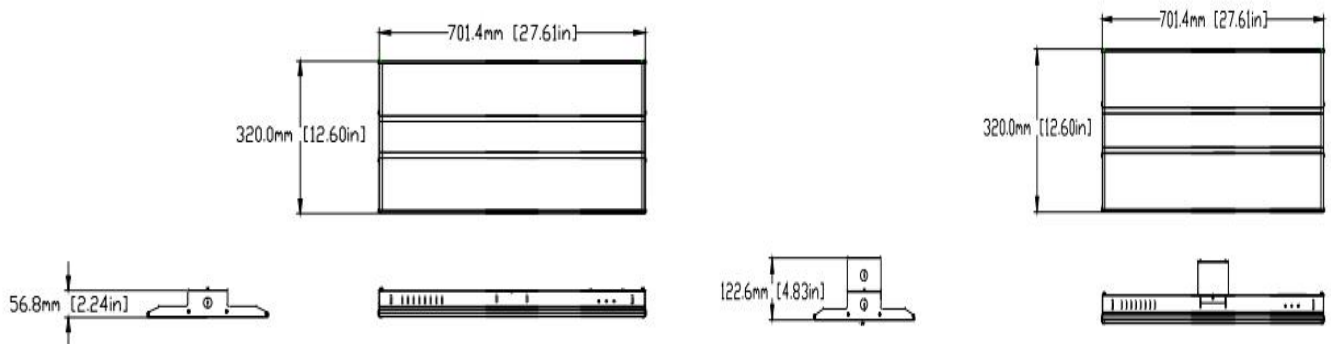
### 80W/120W/160W



### 160W/240W/300W



### 300W/350W/400W



## Application:

LED Linear high bay fixtures are ideal for Warehouses, Manufacturing Facilities, Gymnasiums, Aviation Hangars, Convention Centers, Big Box Retail Stores, Cold Storage Facilities, factory and workshops, Exhibition hall and supermarkets, etc

---

## CONSTRUCTION (CONTINUED)

### Lens

Polycarbonate lens

### Housing

Die-cast aluminum

### Reflector

Polycarbonate

### IP Rating

IP20 rated

### Mounting

Comes standard with V-hooks for chain mounting. Accessories available for pendant and surface mounting (purchased separately).

### Green Technology

Mercury and UV free. RoHs-compliant components.

### Finish

Formulated for high durability and long lasting color

## LED CHARACTERISTICS

### LEDs

Long-life, high-efficacy, discrete, surface-mount LEDs

### Color Uniformity

range of Correlated Color Temperature follows the guidelines of the American National Standard for Specifications for the Chromaticity of Solid State Lighting (SSL) Products, ANSI C78.377-2017.

### Lifespan

100,000-Hour LED lifespan based on IES LM-80 results and TM-21 calculations

Note: All values are typical (tolerance +/- 10%)

### Warranty

The 7-year, limited warranty covers light output, driver performance and paint finish. warranty is subject to all terms and conditions found at [lighting.com/warranty](http://lighting.com/warranty).

Buy American Act Compliance:

values USA manufacturing! Upon request, may be able to manufacture this product to be compliant with the BUY American Act (BAA). Please contact customer service to request a quote for the product to be made BAA compliant.

## Notice for user:

Please turn off power before install or change assembly parts.

The input voltage and lamps should be matched, after connecting the power line,

Please make sure the wiring section is insulated.

No-professionals, must not install and disassemble the lamps.

## Trouble shootings:

Troubles	Check points
Flickering of the light	Turn off the power and turn on again in 3 minutes. If same phenomena occur, then call agencies.
Out of working	Please check the connection.

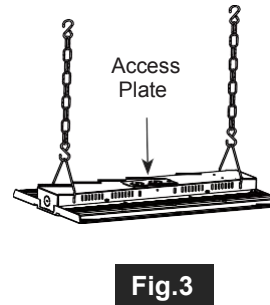
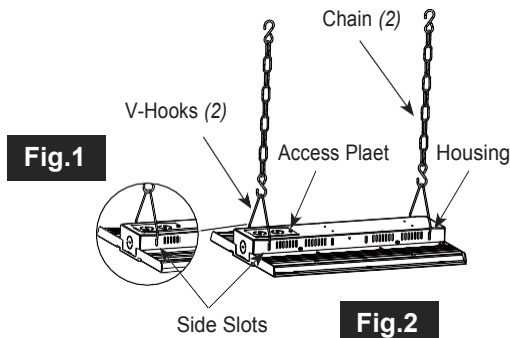
## For V-hook / Chain Mounting:

Mount Housing to sturdy ceiling structure as follows:

V-Hook (2) and Chain (2) are provided for mounting. Secure V-Hooks through Side Slots on housing as shown in Fig. 1 and 2. Secure Chain to V-Hooks as shown in Fig. 2 and 3.

Remove Access Plate and feed supply wires with strain relief connector. Make electrical connections as shown in wiring diagram (Fig. 11). Use approved wiring connectors and wire to local NEC codes. Push all wires back into Housing. Be careful not to pinch wires.

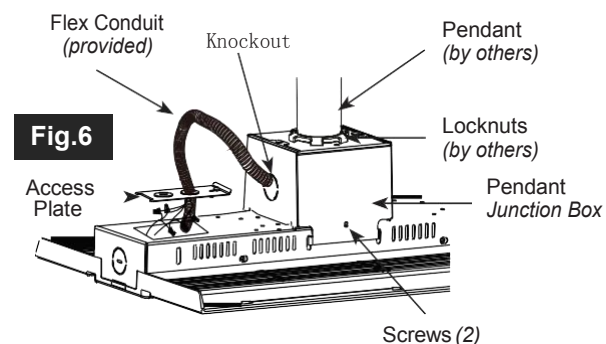
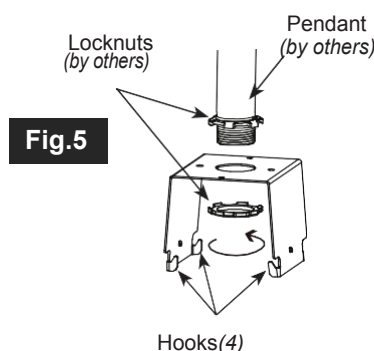
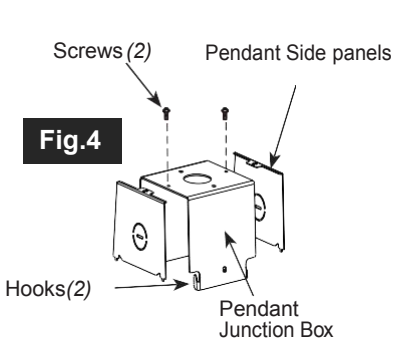
Reinstall Access Plate and secure with supplied Screw (1).



## Pendant Mounting:

(Accessory ordered separately)

1. Choose length of a 3/4" NPS Pendant Stem (by others).
2. Install Pendant Junction Box (ordered separately) to Pendant Stem (by others) and secure with Locknuts (by others) as shown in Fig. 5.
3. Mount Housing onto the Pendant Junction Box by securing with Hook feature and tightening (2) Screws (provided) as shown in Fig. 6.
4. Remove the Knockout from Side Panel (Fig. 6). Pull supply wires through side Knockout and feed supply wires through Flex Conduit (provided) as shown in Fig. 6. Secure Flex Conduit to Side Panel and secure Side Panels with (2) Screws (provided) as shown in Fig. 4. Wire the Housing leads to supply wires using UL listed wire connectors according to NEC and local codes.
5. Push all wires back into Housing. Be careful not to pinch wires.
6. Secure Flex Conduit to Access Plate (Fig. 6).



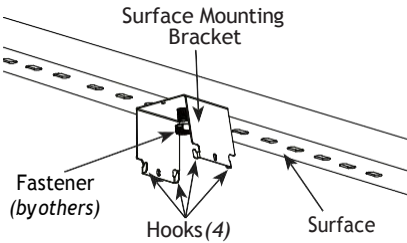
## Surface Mounting:

Mount Surface Mounting Bracket to sturdy surface as follows:

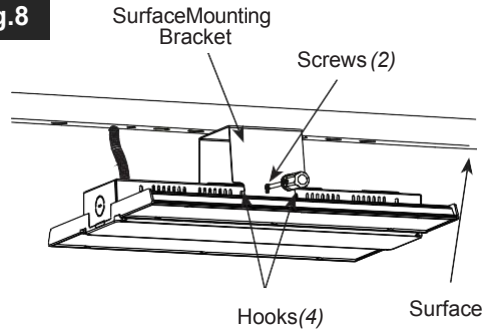
(Accessory ordered separately)

1. Install Surface Mounting Bracket (ordered separately) to sturdy surface with Screws (by others) as shown in Fig. 7.
2. Wire the Housing leads to supply wires using UL listed wire connectors according to NEC and local codes. Secure Access Plate with (1) Screw (provided).
3. Mount Housing onto the Surface Mounting Bracket by securing with Hook (4) feature and (2) Screws (provided) as shown in Fig. 8.

**Fig.7**



**Fig.8**

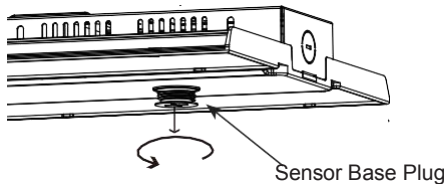


### MVS/PIR SENSOR INSTALLATION:

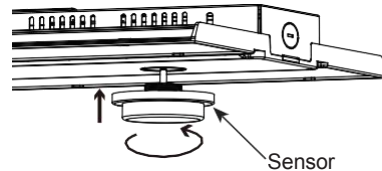
For units ordered with MVS or PIR Sensor follow directions below.

1. Remove Sensor Base Plug located on the Housing as shown in Fig. 9.
2. Insert MVS or PIR Sensor into the Sensor Base Plug and turn to secure as shown in Fig. 10.
3. See MVS/PIR Sensor instructions for pre-sets and programmable settings.
4. Use optional remote (ordered separately) for user programming.

**Fig.9**



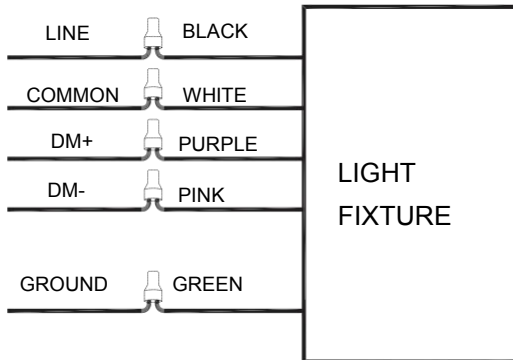
**Fig.10**



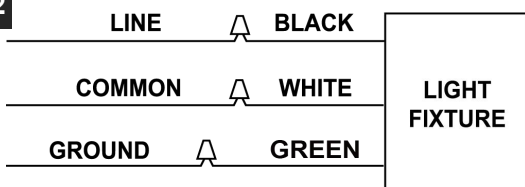
### WIRING:

**RISK OF FIRE:** Universal voltage driver permits operation at 120V through 277V, 277V through 480V, 120V through 347V, 50 or 60 Hz . For 1-10V dimming follow wiring directions as shown in Fig. 11. For non-dimming , follow the wiring directions as shown in Fig.12.

**Fig.11**



**Fig.12**



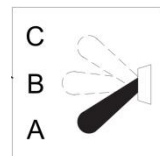
### FIELD-ADJUSTABLE CCT & WATTAGE:

Follow instructions below to change the Fixture Power (W) and/or Color Temperature (CCT ) from factory settings:

1. Locate the Field Adjustable Switches on Fixture Housing as shown below. Remove waterproof gasket.
2. Select Power (W) and/or Color Temperature (CCT ) by sliding respective switch to the desired value (Fig.13). (Fig.14).

Power Selector Switch

**Fig.13**



CCT Selector Switch

**Fig.14**

