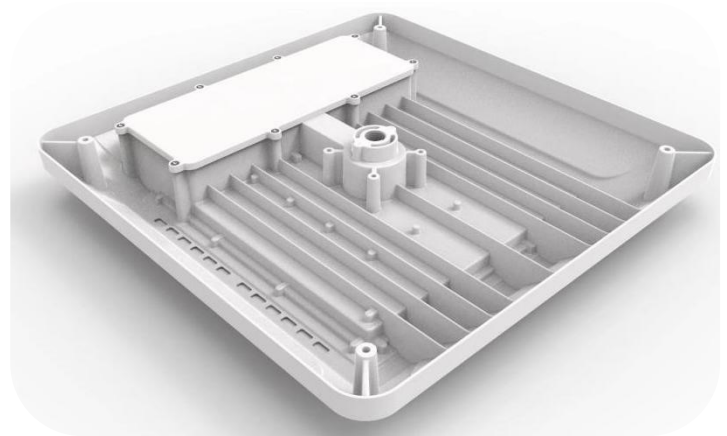
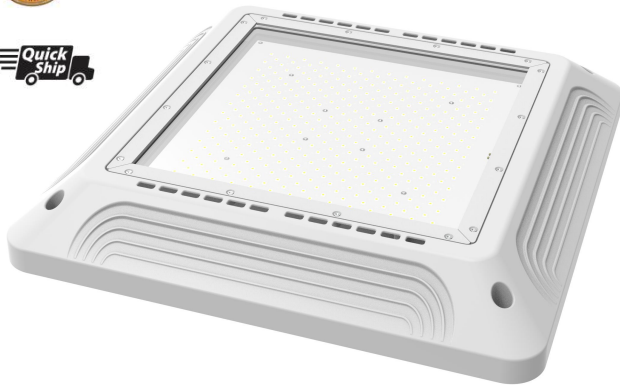


# LED CANOPY LIGHT

## CPJX SERIES



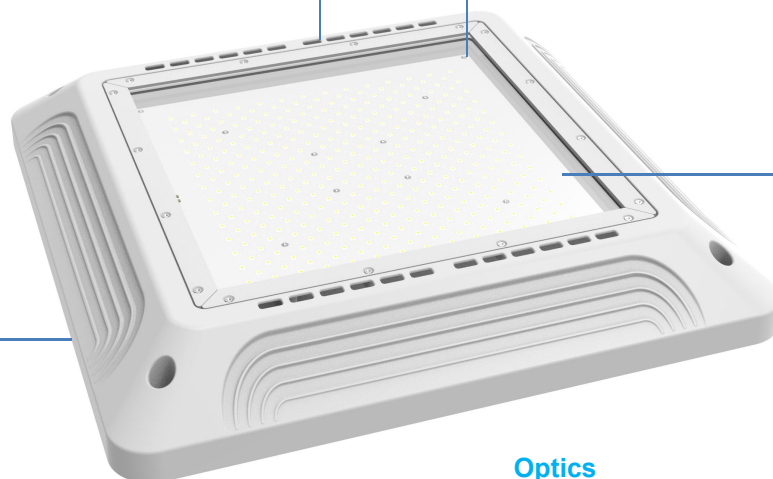
The CPJX canopy is engineered with a rugged slim-profile with a white optical pattern for maximum site visibility. It is sealed against water and dust intrusion, armed with shatter-resistant lens, and protects against environmental contaminants for a virtually maintenance free experience. easy to mount directly on ceilings, pendant, the CPJX-series is the superior solution for parking garages, wings, canopies, and other general commercial areas for security lighting.

### Housing

Features a compact, one-piece die cast housing, saving costs versus models that are extruded or cast and require additional parts. The heat sink is included in the actual casting, further minimizing the need for additional parts.

### Photometry

High temperature resistant and high transmittance tempered glass is used



### Application

Easy to mount directly on ceilings, pendant, outdoor illumination needs, widely used in gas station, service station, underground parking lot, warehouse.

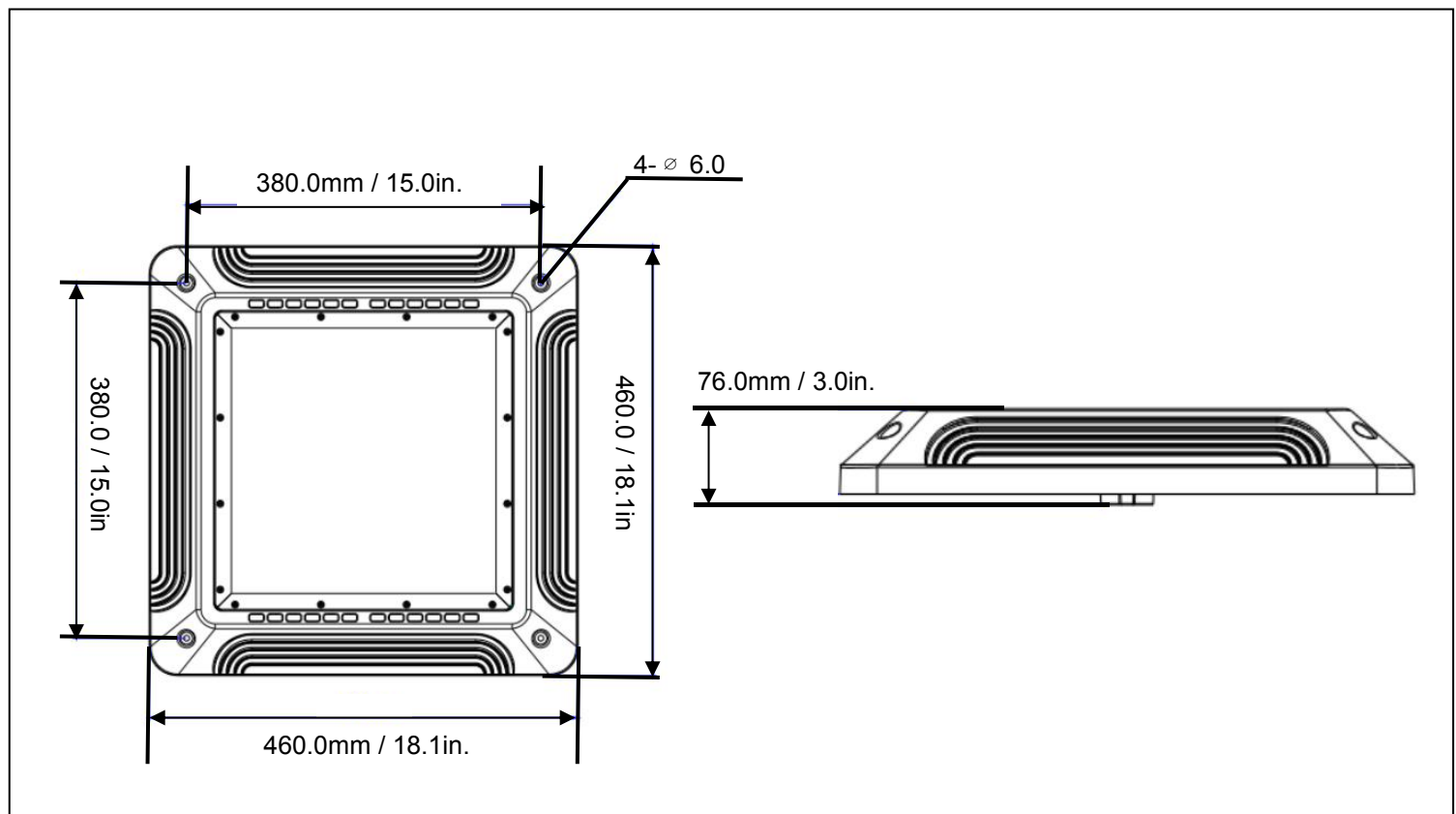
### Optics

The 120 and 90 and 60 and 30 degree is optional. Independently designed optical lens, using anti-UV material to maximize the lighting effect while reducing glare.

## Technical Parameters

Model	CPJX100	CPJX150	CPJX200	CPJX240
Wattage	100W	150W	200W	240W
Luminous Flux	13000lm-18000lm	19500lm-27000lm	26000lm-36000lm	31200lm-43200lm
Lumens per Watt	130 - 180			
Input Voltage	100-277V / 277-480V / 100-347V,50 / 60 Hz			
Color Temperature	3000K / 4000K / 5000K / 5700K / 6500K			
Operation Temperature	-40°C to + 50°C (-40°F to 122°F)			
Beam Angle	120°			
CRI	Ra70 (Ra80 or Ra90 optional)			
PF	≥0.95			
Net Weight	4.6kg / 10.1lbs	4.9kg / 10.8lbs		5.2kg / 11.5lbs
QTY/CTN	1	1		1
GW/CTN	5.6kg / 12.4lbs	5.9kg / 13.0lbs		6.2kg / 13.7lbs
Size of box(mm/in)	500*500*120 / 19.69*19.69*4.72			
SIZE of CTN(mm/in)	500*500*120 / 19.69*19.69*4.72			

## Product Dimensions



## Technical Parameters

---



GARAGE LIGHT



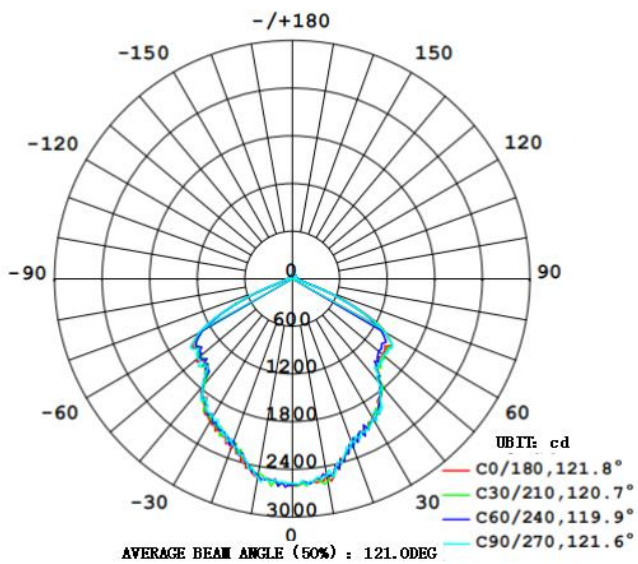
GAS STATION LIGHT



GAS STATION LIGHT

## Photometrics

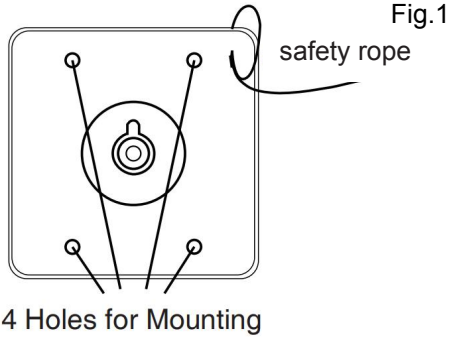
---



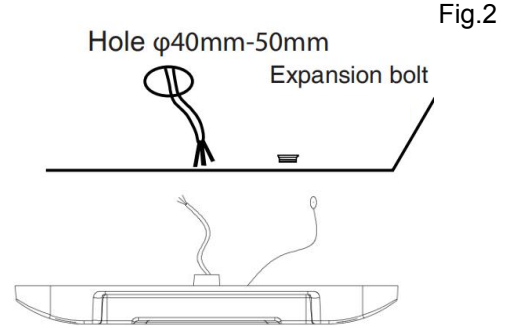
# Installation Instruction

## SURFACE MOUNT

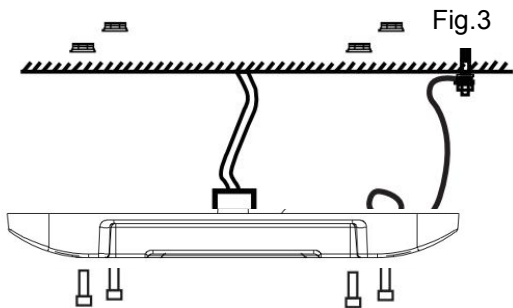
STEP1: Drill 4 suitable screw holes in the ceiling or wall in Fig.1.



STEP2: Connect the wires threaded from conduit and Canopy, Black wire for Line, White for Neutral, Green/Yellow Green for Ground. in Fig.2.

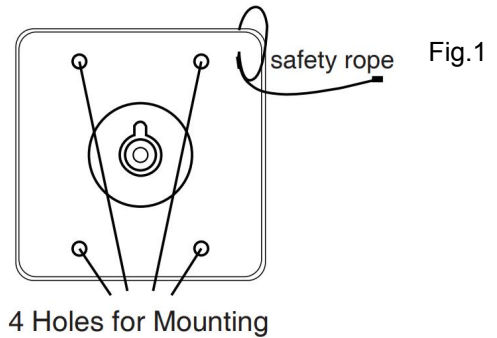


STEP3: Fix it on the ceiling with using appropriate screws, secure safety rope fixed to the wall. in Fig.3.

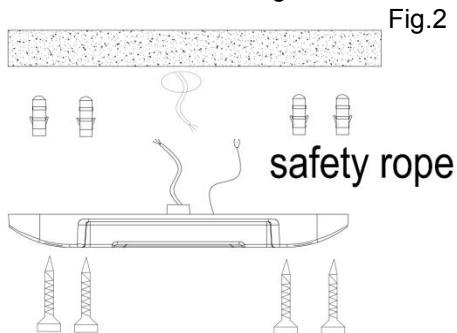


## SURFACE MOUNT

STEP1: Drill 4 suitable screw holes in the ceiling or wall in Fig.1.

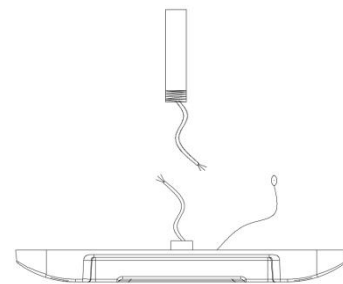


STEP2: Connect the wires threaded from conduit and Canopy, fix it on the ceiling with using appropriate screws secure safety rope fixed to the wall. in Fig.2.

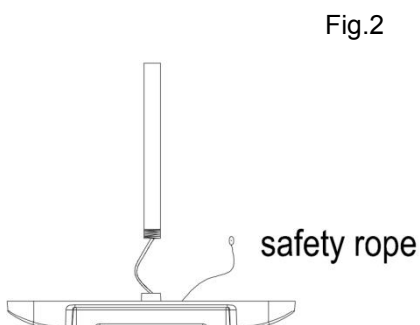


## PENDANT W/ 3/4IN CONDUIT

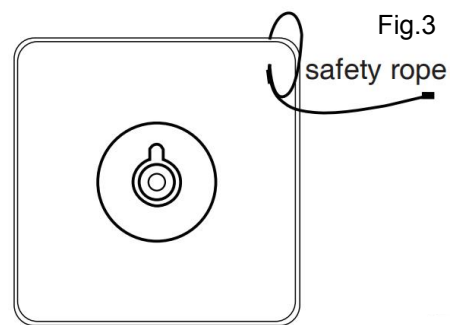
STEP1: Connect the wires threaded from conduit and Canopy, Black wire for Line, White for Neutral, Green/Yellow Green for Ground. in Fig.1.



STEP2: Secure the conduit into the hole on top of the fixture in Fig.2.



STEP3: Secure safety rope fixed to the wall in Fig.3.



## Installation Instruction

RISK OF FIRE: Universal voltage driver permits operation at 120V through 277V, 277V through 480V, 120V through 347V, 50 or 60 Hz. For 1-10V dimming follow wiring directions as shown in Fig. 2. For non-dimming, follow the wiring directions as shown in Fig. 1.

Fig.1

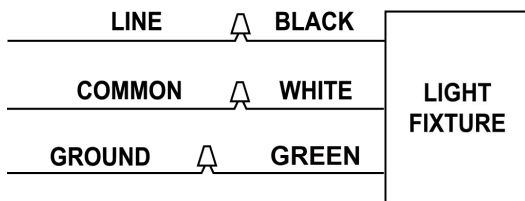


Fig.2

