

LED CANOPY LIGHT

CPHX SERIES



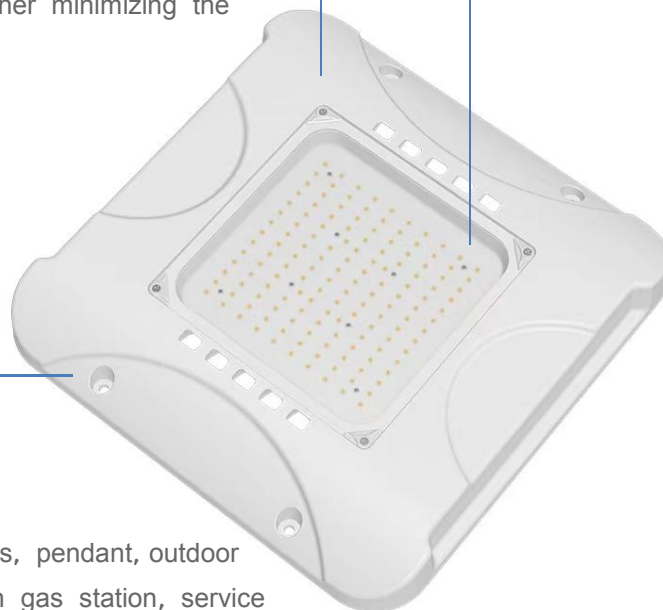
The CPHX canopy is engineered with a rugged slim-profile with a white optical pattern for maximum site visibility. It is sealed against water and dust intrusion, armed with shatter-resistant lens, and protects against environmental contaminants for a virtually maintenance free experience, experience first, easy to mount directly on ceilings, pendant, the CPHX-series is the superior solution for parking garages, wings, canopies, and other general commercial areas for security lighting.

Housing

Features a compact, one-piece die cast housing, saving costs versus models that are extruded or cast and require additional parts. The heat sink is included in the actual casting, further minimizing the need for additional parts.

Photometry

High temperature resistant and high transmittance tempered glass is used.



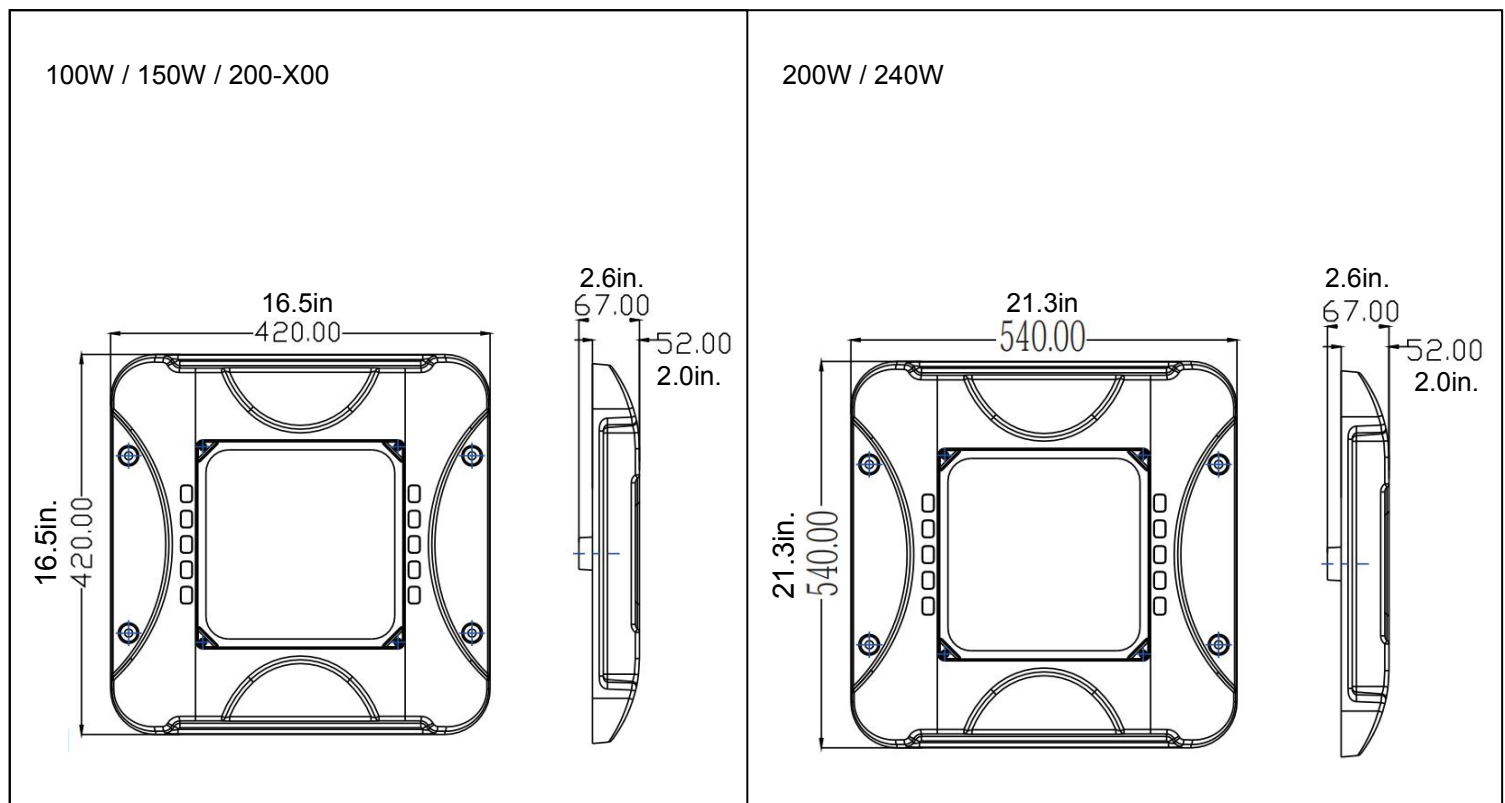
Application

Easy to mount directly on ceilings, pendant, outdoor illumination needs, widely used in gas station, service station, underground parking lot, warehouse.

Technical Parameters

Model	CPHX100	CPHX150	CPHX200-X00	CPHX200	CPHX240
Wattage	100W	150W	200W	200W	240W
Luminous Flux	13000lm-18000lm	19500lm-27000lm	26000lm-36000lm	26000lm-36000lm	31200lm-43200lm
Lumens per Watt	130 - 180				
Input Voltage	100-277V / 277-480V / 100-347V,50 / 60 Hz				
Color Temperature	3000K / 4000K / 5000K / 5700K / 6500K				
Operation Temperature	-40°C to + 50°C (-40°F to 122°F)				
Beam Angle	120°				
CRI	Ra70 (Ra80 or Ra90 optional)				
PF	≥0.95				
Net Weight	4.1kg / 9.0lbs	4.3kg / 9.5lbs	6.8kg / 15.0lbs	7.1kg / 15.7lbs	
QTY/CTN	1	1	1	1	
GW/CTN	5.1kg / 11.2lbs	5.3kg / 11.7lbs	7.9kg / 13.7lbs	8.2kg / 13.7lbs	
Size of box(mm/in)	465*460*120 / 18.31*18.11*4.72			585*585*115 / 23.03*23.03*4.53	
SIZE of CTN(mm/in)	465*460*120 / 18.31*18.11*4.72			585*585*115 / 23.03*23.03*4.53	

Product Dimensions



Technical Parameters

GARAGE LIGHT



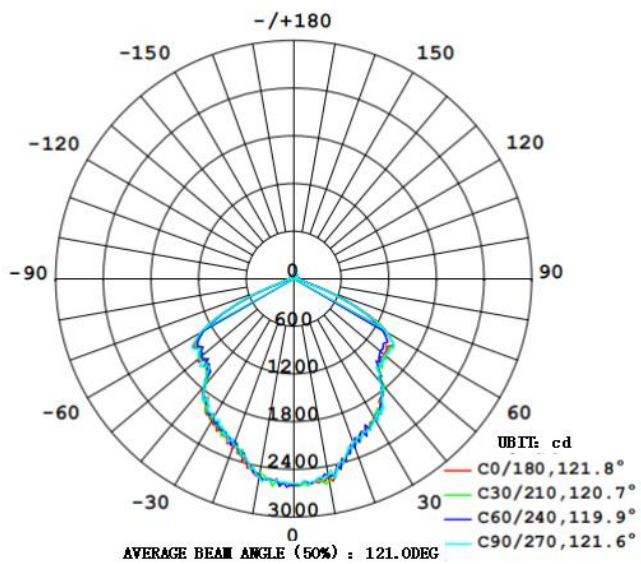
GAS STATION LIGHT



GAS STATION LIGHT



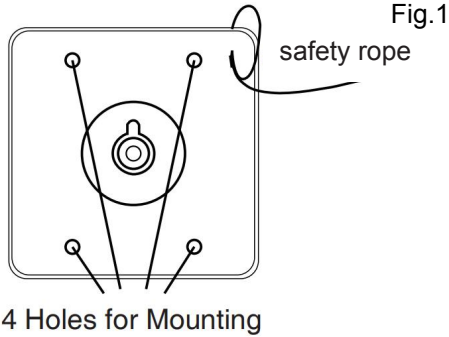
Photometrics



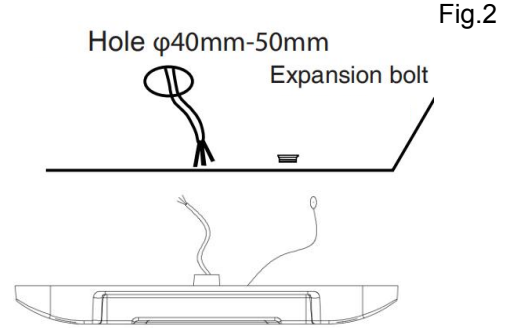
Installation Instruction

SURFACE MOUNT

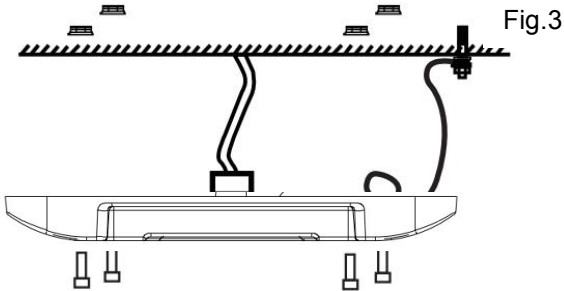
STEP1: Drill 4 suitable screw holes in the ceiling or wall in Fig.1.



STEP2: Connect the wires threaded from conduit and Canopy, Black wire for Line, White for Neutral, Green/Yellow Green for Ground. in Fig.2.

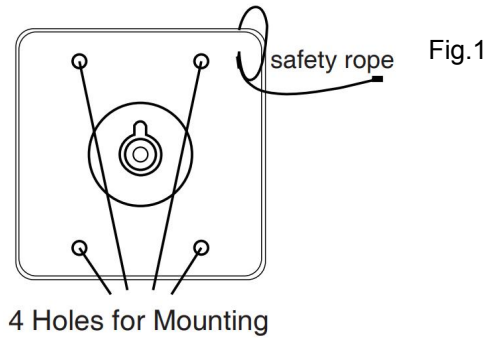


STEP3: Fix it on the ceiling with using appropriate screws, secure safety rope fixed to the wall. in Fig.3.

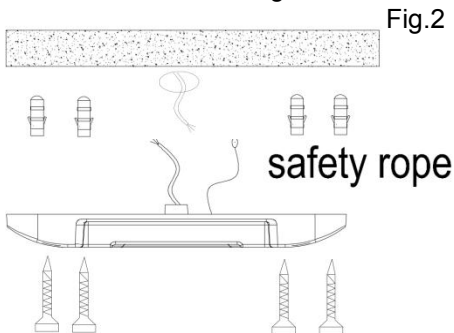


SURFACE MOUNT

STEP1: Drill 4 suitable screw holes in the ceiling or wall in Fig.1.

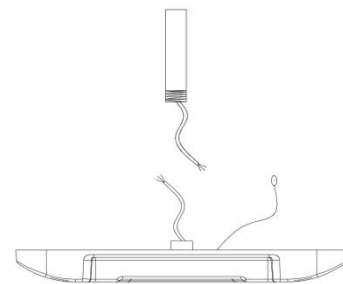


STEP2: Connect the wires threaded from conduit and Canopy, fix it on the ceiling with using appropriate screws secure safety rope fixed to the wall. in Fig.2.

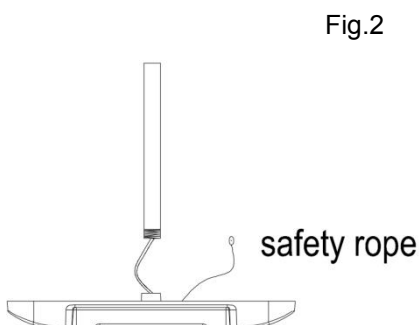


PENDANT W/ 3/4IN CONDUIT

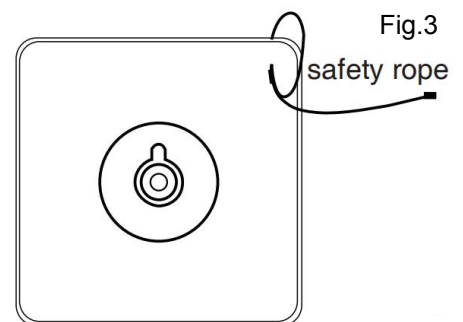
STEP1: Connect the wires threaded from conduit and Canopy, Black wire for Line, White for Neutral, Green/Yellow Green for Ground. in Fig.1.



STEP2: Secure the conduit into the hole on top of the fixture in Fig.2.



STEP3: Secure safety rope fixed to the wall in Fig.3.



Installation Instruction

RISK OF FIRE: Universal voltage driver permits operation at 120V through 277V, 277V through 480V, 120V through 347V, 50 or 60 Hz. For 1-10V dimming follow wiring directions as shown in Fig. 2. For non-dimming, follow the wiring directions as shown in Fig. 1.

Fig.1

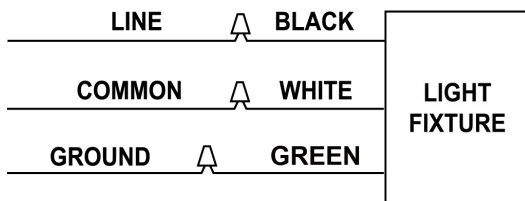


Fig.2

