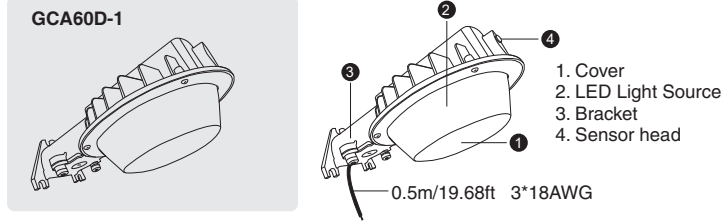


LED DUSK TO DAWN BARN LIGHT

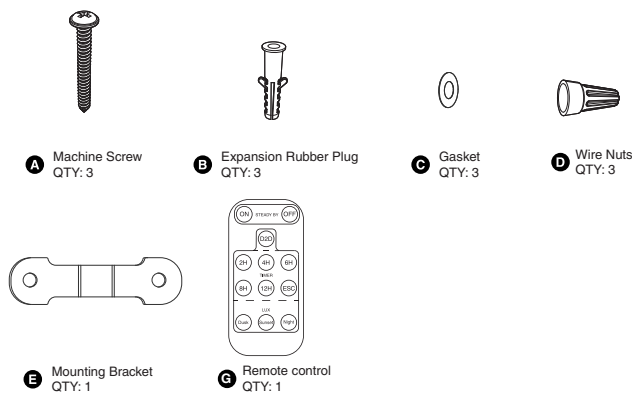
Product Manual

MODEL: GCA60D-1

COMPONENTS AND STRUCTURE



PARTS LIST



2



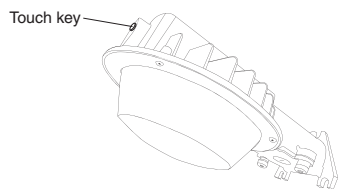
SPECIFICATIONS

LED BARN LIGHT	
Model	GCA60D-1
Input Voltage	100-120V ~ 60Hz
Input Current	0.92A
Rated Power	60W
Luminous Flux	6000lm
CCT	6500K
CRI	≥80
Power Factor	≥0.5
L _{70B50} lifetime	30000hours L _{70B50} @ 25°
Beam Angle	120°
t _a	-20-40°C/-4°F-104°F
Luminaire Location	SUITABLE FOR WET LOCATIONS
Dimensions (LxHxW)	174x257x110 mm / 6.85x10.12x4.33 in
Weight	0.89 kg / 1.96 lb

3



OPERATION INSTRUCTIONS

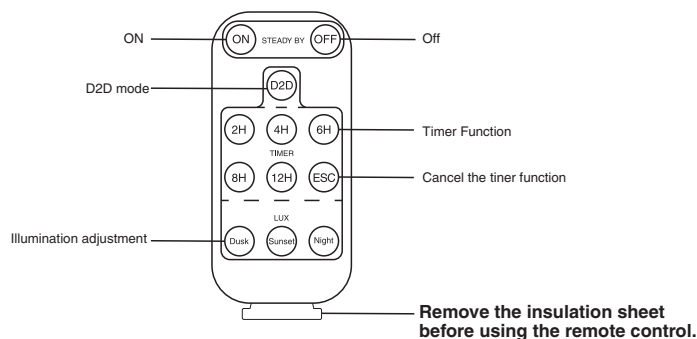


1. Touch key

Before installing the light, Try to unscrew the transparent cover on the light sensor. You can touch the light sensor by hand to change the light mode.

1. Switch Controlled mode: The light keeps working all day. There is a the weak red light staying on in the light sensor.

2. Dusk to Dawn mode: The light will automatically turn on at night and stay off during the daytime. The light was defaulted on SUNSET mode (which means the light will be on at 20-40LUX)
Note: When switching to dusk to dawn mode, the light will work after a one-minute delay.



2. Remote control function

NOTE: The light is with a memory function. If the light is NOT turned on by the remote controller (such as turned on the light by the switch at home), it will stay at your last setting mode (such as DUSK to DAWN mode).

If the light is turned on by pressing 'ON' button on the remote control. The light will be SWITCH CONTROLLED mode, which means the light will stay on all day.

4



OPERATION INSTRUCTIONS

ON button: Light is turned on, and light will stay on all day. Light will not enter DUSK to DAWN mode.

Off button: Light is turned off

D2D mode

1. Press 'D2D' button, the light will flicker one time, then enter the DUSK to DAWN mode, the default mode is the SUNSET mode, without timing function.

2. Timer Function

When pressing the 2H button, the light will flicker one time, and the light will automatically turn off after 2 hours;

When pressing the 4H button, the light will flicker one time, and the light will automatically turn off after 4 hours;

When pressing the 6H button, the light will flicker one time, and the light will automatically turn off after 6 hours;

When pressing the 8H button, the light will flicker one time, and the light will automatically turn off after 8 hours;

When pressing the 12H button, the light will flicker one time, and the light will automatically turn off after 12 hours;

The timer function automatically work every day after pressing 2H/4H/6H/8H/12H button. It means that the light will turns off after it staying on 2/4/6/8/12 hours every day. no need to repeatedly set the timing function unless you want to change the timer.

Note: Under SWITCH CONTROLLED mode, there is no timing function.

3. Cancel the timer function:

Press the 'ESC' button, and the light will flicker three times, indicating the cancellation of the timer function.

4. Illumination adjustment:

Press the Dusk button, and the light will flicker one time: it will automatically light up at dusk (40-60LUX) every day;

Press the Sunset button, and the light will flicker one time: it will automatically light up in the sunset (20-40LUX) every day;

Press the Night button, the light will flicker one time: it will automatically light up in the night (3-10LUX) every day;"

Note: Under Dusk to Dawn mode, when the brightness of the external environment reaches more than 100lux, the light will be off. (the light will be turned off after a one-minute delay)

5



PREPARATION

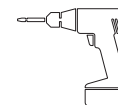
NOTE:

Before beginning assembly of product, make sure all parts are present. Compare parts with parts list. If any part is missing or damaged, do not attempt to assemble the product. Estimated Assembly Time: 30-60 minutes.

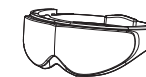
Recommended to be installed on the ground above 2.5m (8.2 ft).

Product appearance may vary from image shown.

TOOLS REQUIRED (not included)



Electric drill



Eye Protection



Wrench



Pliers



Step Ladder

WARNING:

THIS PRODUCT MUST BE INSTALLED IN ACCORDANCE WITH THE APPLICABLE INSTALLATION CODE BY A PERSON FAMILIAR WITH THE CONSTRUCTION AND OPERATION OF THE PRODUCT AND THE HAZARDS INVOLVED.

CAUTION:

PLEASE MAKE SURE YOUR WALL SWITCH AND POWER AT MAIN CIRCUIT BREAKER BOTH ARE OFF.

IF IN DOUBT ABOUT ELECTRICAL INSTALLATION, CONSULT A LICENSED ELECTRICIAN.

6



PREPARATION

RISK OF SHOCK:

BEFORE BEGINNING INSTALLATION, TURN OFF ELECTRICITY AT THE CIRCUIT BREAKER BOX OR THE MAIN FUSE BOX.

NOTE:

BE SURE TO USE WIRE NUTS/CONNECTORS RATED FOR THE CORRECT GAUGE AND NUMBER OF WIRES USED.

MAKE SURE THERE ARE NO EXPOSED WIRE BUNDLES OUTSIDE THE WIRE NUT/CONNECTOR (IF APPLICABLE).

BE CAREFUL NOT TO DAMAGE OR CUT THE WIRE INSULATION (COVERING) DURING INSTALLATION. DO NOT LET THE WIRES TOUCH ANY SHARP EDGES.

WARNING:

DO NOT CONNECT THIS LIGHT FIXTURE TO AN UNGROUNDED ELECTRICAL SYSTEM. ATTACH GROUND FIXTURE WIRE TO EITHER GREEN GROUND SCREW ON MOUNTING PLATE OR THE GROUND WIRE IN THE OUTLET BOX.

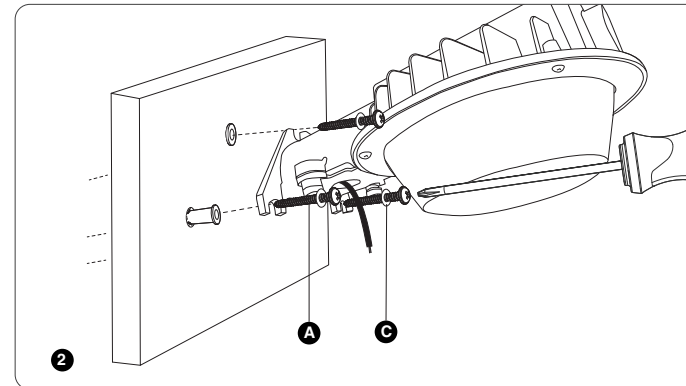
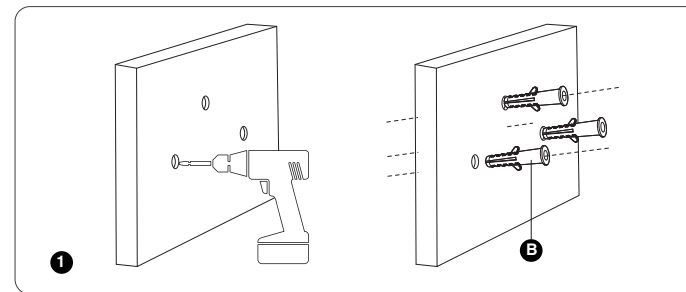
INSTALLING THIS LIGHT IN AN UNGROUNDED ELECTRICAL SYSTEM MAY CAUSE THE METAL PARTS OF THE LIGHT TO CARRY CURRENT IF ANY WIRES OR WIRE CONNECTIONS ARE DAMAGED OR LOOSE. IN THIS CASE, ANYONE WHO TOUCHES THE LIGHT WILL RECEIVE AN ELECTRIC SHOCK, RESULTING IN INJURY OR DEATH.

7



INSTALLATION STEPS

Installation Method I



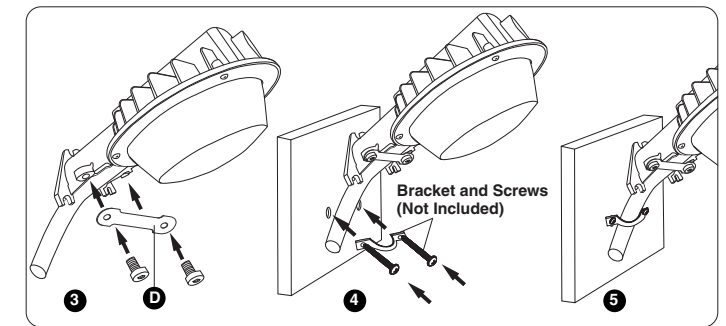
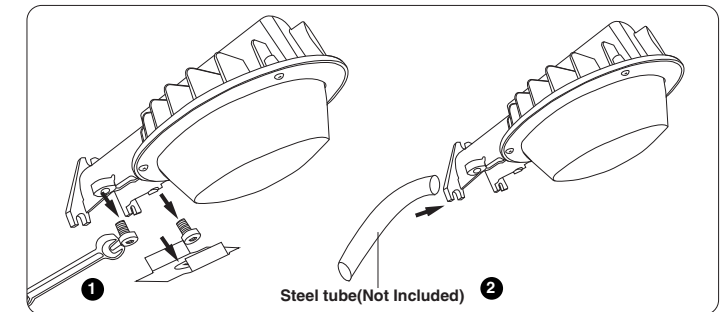
1. Measure the distance, punch holes in the wall, and install the expansion rubber plugs in them.
2. Then, align the screws with gaskets set to the expansion plugs and tighten to fix them.

8



INSTALLATION STEPS

Installation Method II

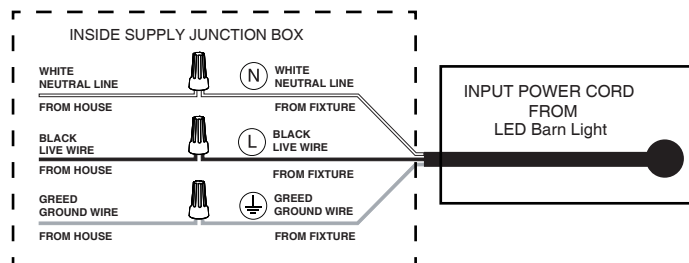


1. Remove the screws and card cover.
2. Place the steel tube into the light stand slot. (Note: Accessories do not include steel tube.)
3. Tighten the steel tube with the screws you just removed.
4. Fix it to the wall with stainless steel bracket and screws. (Note: Accessories do not include bracket and screws.)
5. Fixed as shown in the figure.

9

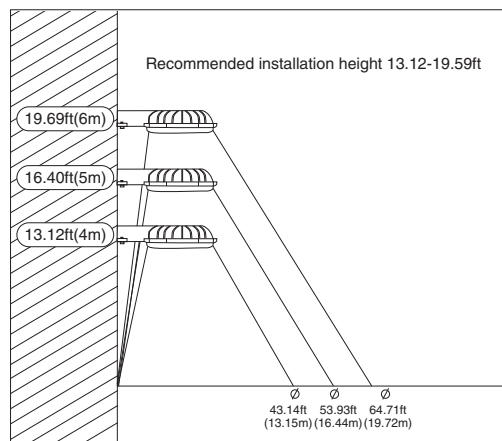


CONNECT THE WIRES



Connect the black line and white line of the light with the Live line and Neutral line of main supply respectively.

Ground the green wire, and make sure the wiring is complete and grounded before powering on.



10



FCC Warning:

Any Changes or modifications not expressly approved by the party responsible for compliance could void the user's authority to operate the equipment.

This device complies with part 15 of the FCC Rules. Operation is subject to the following two conditions:

- (1) This device may not cause harmful interference, and
- (2) this device must accept any interference received, including interference that may cause undesired operation.

Note: This equipment has been tested and found to comply with the limits for a Class B digital device, pursuant to part 15 of the FCC Rules. These limits are designed to provide reasonable protection against harmful interference in a residential installation. This equipment generates uses and can radiate radio frequency energy and, if not installed and used in accordance with the instructions, may cause harmful interference to radio communications. However, there is no guarantee that interference will not occur in a particular installation. If this equipment does cause harmful interference to radio or television reception, which can be determined by turning the equipment off and on, the user is encouraged to try to correct the interference by one or more of the following measures:

- Reorient or relocate the receiving antenna.
- Increase the separation between the equipment and receiver.
- Connect the equipment into an outlet on a circuit different from that to which the receiver is connected.
- Consult the dealer or an experienced radio/TV technician for help.

This equipment complies with FCC radiation exposure limits set forth for an uncontrolled environment. This equipment should be installed and operated with minimum distance 20cm between the radiator & your body.

11



HK Bright International Lighting Co., Limited
Unit 616, 6/F., Kam Teem Industrial Building, 135
Connaught Road West, Sai Wan Hong Kong
Manufacturer/Hersteller: MDH LIGHTING LTD
Suite 302, 292 Strovolos Avenue, 2048 Strovolos Nicosia,
Cyprus

UK Importer: MDH LIGHTING LTD
69 Aberdeen Avenue, Cambridge CB2 8DL,
United Kingdom

Made in China

✉ support@onforuled.com 🌐 www.onforuleds.com

