

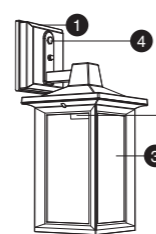
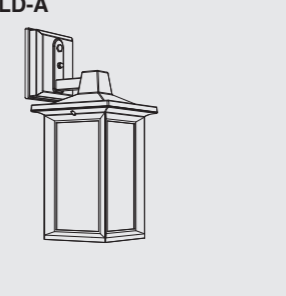
Lantern Wall Lamp

Product Manual

MODEL: BDDLD-A

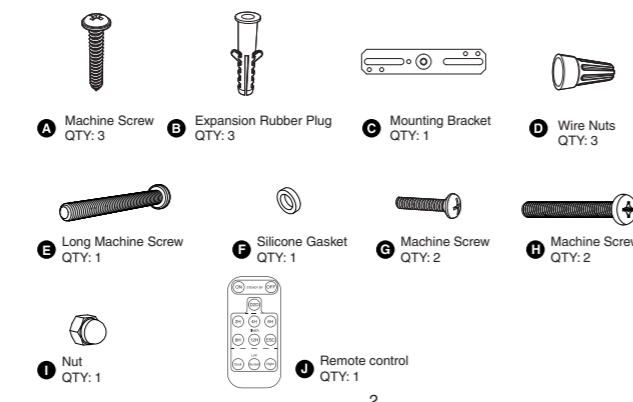
COMPONENTS AND STRUCTURE

BDDLD-A



- Lamp base
- Lamp holder
- Glass
- Sensor

SPECIFICATIONS



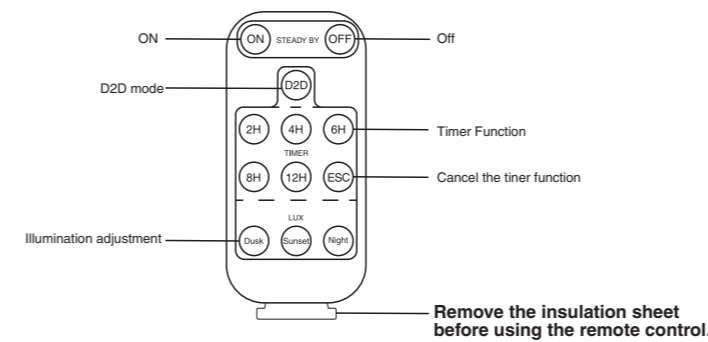
SPECIFICATIONS

| Lantern Wall Lamp | |
|--------------------|-----------------------------------|
| Model | BDDLD-A |
| Luminaire Location | SUITABLE FOR WET LOCATIONS |
| Dimensions (LxHxW) | 154x357x183 mm/6.06x14.06x7.21 in |
| Weight | 1.1kg / 2.43lb |

3



OPERATION INSTRUCTIONS



Remote control function

NOTE: The light is with a memory function. If the light is NOT turned on by the remote controller (such as turned on the light by the switch at home), it will stay at your last setting mode (such as DUSK to DAWN mode). If the light is turned on by pressing 'ON' button on the remote control. The light will be SWITCH CONTROLLED mode, which means the light will stay on all day.

4



OPERATION INSTRUCTIONS

ON button: Light is turned on, and light will stay on all day. Light will not enter DUSK to DAWN mode.

Off button: Light is turned off

D2D mode

1. Press 'D2D' button, the light will flicker one time, then enter the DUSK to DAWN mode, the default mode is the SUNSET mode, without timing function.

2. Timer Function

When pressing the 2H button, the light will flicker one time, and the light will automatically turn off after 2 hours;
When pressing the 4H button, the light will flicker one time, and the light will automatically turn off after 4 hours;
When pressing the 6H button, the light will flicker one time, and the light will automatically turn off after 6 hours;
When pressing the 8H button, the light will flicker one time, and the light will automatically turn off after 8 hours;
When pressing the 12H button, the light will flicker one time, and the light will automatically turn off after 12 hours;

The timer function automatically work every day after pressing 2H/4H/6H/8H/12H button. It means that the light will turn off after it staying on 2/4/6/8/12 hours every day, no need to repeatedly set the timing function unless you want to change the timer.

Note: Under SWITCH CONTROLLED mode, there is no timing function.

3. Cancel the timer function:

Press the 'ESC' button, and the light will flicker three times, indicating the cancellation of the timer function.

4. Illumination adjustment:

Press the Dusk button, and the light will flicker one time: it will automatically light up at dusk (40-60LUX) every day;
Press the Sunset button, and the light will flicker one time: it will automatically light up in the sunset (20-40LUX) every day;
Press the Night button, the light will flicker one time: it will automatically light up in the night (3-10LUX) every day;
Note: Under Dusk to Dawn mode, when the brightness of the external environment reaches more than 100lux, the light will be off. (the light will be turned off after a one-minute delay)

5



PREPARATION

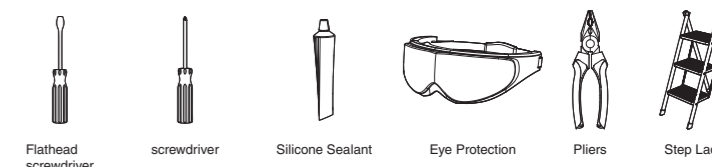
NOTE:

Before beginning assembly of product, make sure all parts are present. Compare parts with parts list. If any part is missing or damaged, do not attempt to assemble the product. Estimated Assembly Time: 30-60 minutes.

Recommended to be installed on the ground above 1.2m (3.94 ft) and no higher than 5 m (16.4 ft).

Product appearance may vary from image shown.

TOOLS REQUIRED (not included)



SAVE THESE INSTRUCTIONS

WARNING:

THIS PRODUCT MUST BE INSTALLED IN ACCORDANCE WITH THE APPLICABLE INSTALLATION CODE BY A PERSON FAMILIAR WITH THE CONSTRUCTION AND OPERATION OF THE PRODUCT AND THE HAZARDS INVOLVED.

CAUTION:

PLEASE MAKE SURE YOUR WALL SWITCH AND POWER AT MAIN CIRCUIT BREAKER BOTH ARE OFF.

IF IN DOUBT ABOUT ELECTRICAL INSTALLATION, CONSULT A LICENSED ELECTRICIAN.

6



PREPARATION

RISK OF SHOCK:

BEFORE BEGINNING INSTALLATION, TURN OFF ELECTRICITY AT THE CIRCUIT BREAKER BOX OR THE MAIN FUSE BOX.

NOTE:

BE SURE TO USE WIRE NUTS/CONNECTORS RATED FOR THE CORRECT GAUGE AND NUMBER OF WIRES USED.

MAKE SURE THERE ARE NO EXPOSED WIRE BUNDLES OUTSIDE THE WIRE NUT/CONNECTOR (IF APPLICABLE).

BE CAREFUL NOT TO DAMAGE OR CUT THE WIRE INSULATION (COVERING) DURING INSTALLATION. DO NOT LET THE WIRES TOUCH ANY SHARP EDGES.

WARNING:

DO NOT CONNECT THIS LIGHT FIXTURE TO AN UNGROUNDED ELECTRICAL SYSTEM. ATTACH GROUND FIXTURE WIRE TO EITHER GREEN GROUND SCREW ON MOUNTING PLATE OR THE GROUND WIRE IN THE OUTLET BOX.

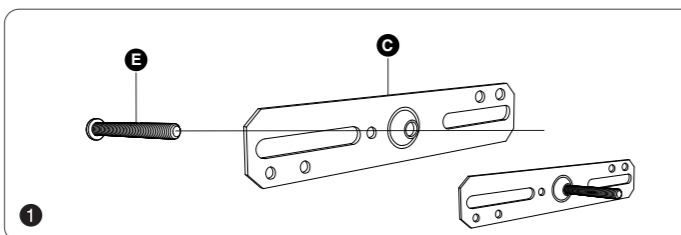
INSTALLING THIS LIGHT IN AN UNGROUNDED ELECTRICAL SYSTEM MAY CAUSE THE METAL PARTS OF THE LIGHT TO CARRY CURRENT IF ANY WIRES OR WIRE CONNECTIONS ARE DAMAGED OR LOOSE. IN THIS CASE, ANYONE WHO TOUCHES THE LIGHT WILL RECEIVE AN ELECTRIC SHOCK, RESULTING IN INJURY OR DEATH.

7

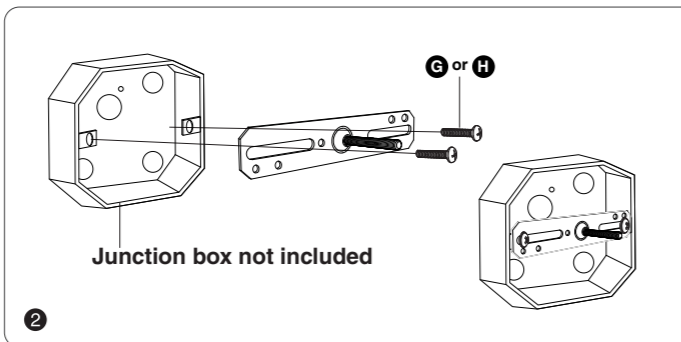


INSTALLATION STEPS

1. Pass the long screw through the middle hole of the fixing bracket.



2. Fix the bracket to the junction box.

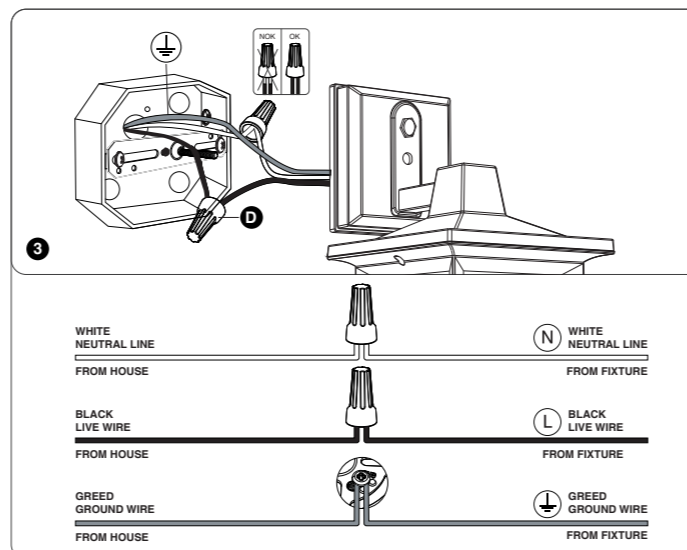


7



INSTALLATION STEPS

3. Wiring.

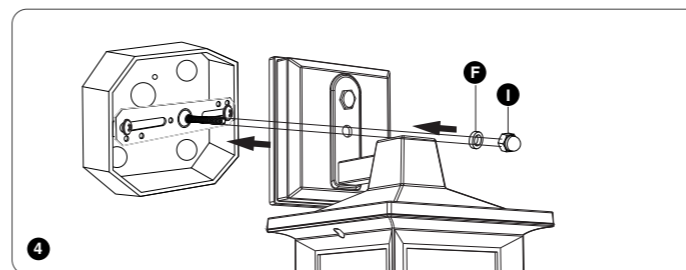


8

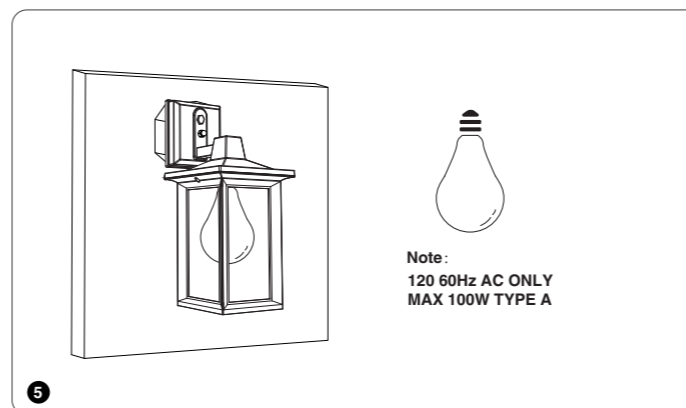


INSTALLATION STEPS

4. Pass the long screw through the light hole to secure the light to the junction box.



5. Install the bulb.



9

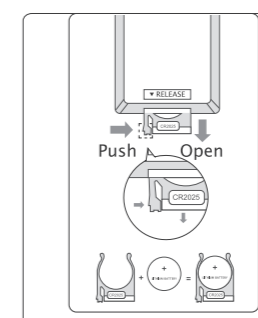


TROUBLESHOOTING

| Malfunction | Cause | Remedy |
|--|--|--|
| LED senses a movement, the light does not light up | 1. The light is not energized 2. Other surrounding light sources make the light misjudge it as daytime | 1. Check power-on status 2. Turn off the nearby lights or sensor head to other directions |
| LED sensor light illuminates during the day | The shadows around the sensor make it mistakenly think it's night | Do not cover the sensor head |
| LED sensor light flashing | 1. Surrounded by other unstable light sources shining onto the induction 2. The light from the lamp itself is reflected on the sensor | 1. Avoid being exposed to such light sources 2. Follow the instructions in "LED DUSK TO DAWN WALL LIGHT - Matters Needing Attention" to readjust the light sensor |

REPLACE THE BATTERIES

Replace the batteries of the remote control by referring to the figure on the right.



11



HK Bright International Lighting Co., Limited
Unit 616, 6/F., Kam Teem Industrial Building, 135
Connaught Road West, Sai Wan Hong Kong
Manufacturer/Hersteller: MDH LIGHTING LTD
Suite 302, 292 Strovolos Avenue, 2048 Strovolos Nicosia,
Cyprus

UK Importer: MDH LIGHTING LTD
69 Aberdeen Avenue, Cambridge CB2 8DL,
United Kingdom

Made in China

support@onforuled.com www.onforuleds.com

