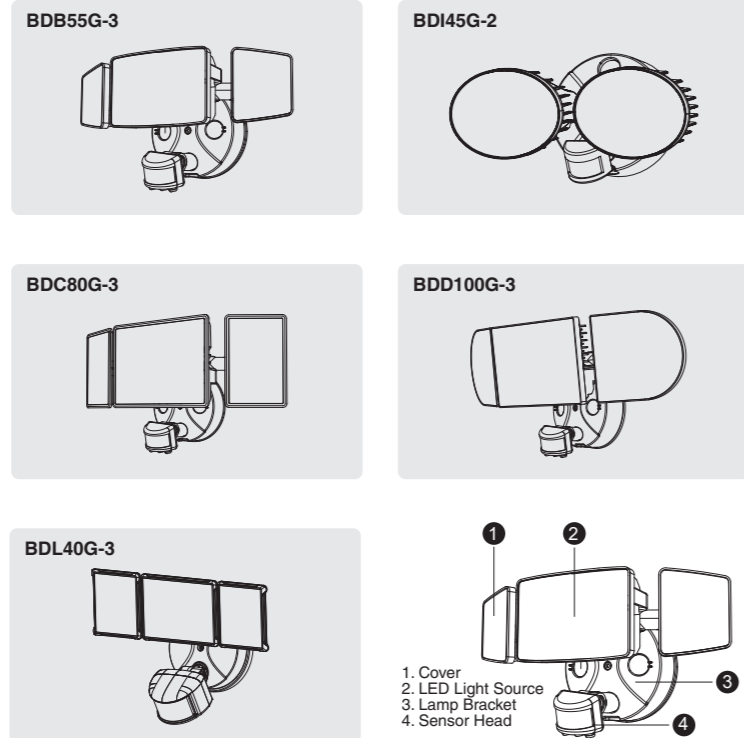


PIR LED WALL LIGHTS WITH MOTION SENSOR

Quick Start Guide

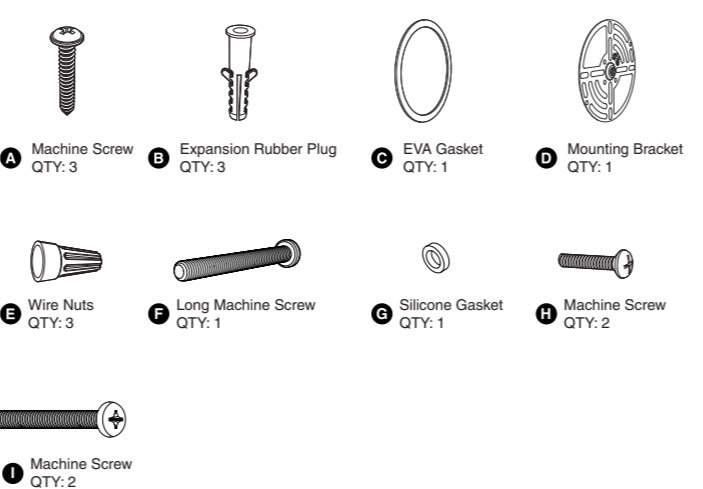
- MODEL: BDB55G-3 BDI45G-2
 BDL40G-3 BDC80G-3
 BDD100G-3

COMPONENTS AND STRUCTURE



2

PARTS LIST



3

SPECIFICATIONS

LED WALL LAMP					
Model	BDB55G-3	BDI45G-2	BDC80G-3	BDD100G-3	BDL40G-3
Input Current	0.5A	0.38A	0.58A	0.83A	0.35A
Rated Power	55W	45W	70W	100W	40W
Luminous Flux	5500lm	4000lm	6200lm	9000lm	4000lm
Input Voltage	100-120V ~ 60Hz				
CCT	6500K				
CRI	≥80				
Power Factor	≥0.9				
L70B50 lifetime	30000hours L70B50 @ 25°				
Beam Angle	120°				
ta	-20-40°C/-4°F-104°F				
Luminaire Location	SUITABLE FOR WET LOCATIONS				
DIMENSIONS					
Model	BDB55G-3	BDI45G-2	BDC80G-3		
Dimensions (LxHxW)	272x123x121mm / 10.71x4.84x4.76 in	256x140x145 mm / 10.08x5.5x5.7 in	365x195x118 mm / 14.4x7.67x4.64 in		
Weight	0.98 kg / 2.16 lb	0.98 kg / 2.16 lb	1.28kg / 2.82lb		
Max Projected Area	0.0214m ² / 0.23ft ²	0.286m ² / 0.307ft ²	0.044m ² / 0.47ft ²		
Max. Lighting Coverage	90m ² / 968ft ²	70m ² / 753ft ²	115m ² / 1237ft ²		

4

SPECIFICATIONS

DIMENSIONS		
Model	BDD100G-3	BDL40G-3
Dimensions (LxHxW)	455x182x120 mm / 17.9x7.16x4.72 in	279x136x124 mm / 10.98x5.35x4.88 in
Weight	1.53kg / 3.37lb	0.78 kg / 1.7 lb
Max Projected Area	0.049m ² / 0.52ft ²	0.022m ² / 0.23ft ²
Max. Lighting Coverage	160m ² / 1722ft ²	60m ² / 645ft ²

Note: The testing standard of the product's luminous flux. Place the three/two lights on the same horizontal surface for testing, and the tested luminous flux is the accurate luminous flux.

5

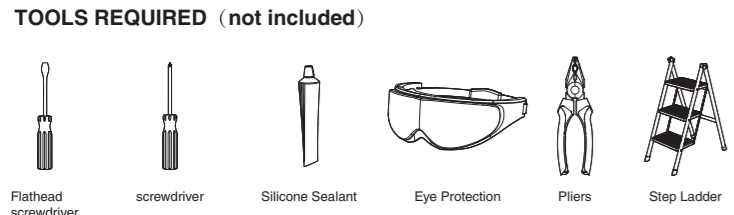
Operation Instructions

- SENS adjustable: It can be adjusted according to using location; low sensitivity with 5m for detection distance; high sensitivity with 10m, it fits for large room.
 - Can identify day and night: The consumer can adjust work ambient light. It can work in the daytime and at night when it is adjusted on the "+" position (max). It can work in the ambient light less than 10LUX when it is adjusted on the "-" position (min).
 - Time-delay adjustment: It can be set according to the consumer's desire. The minimum time is 10sec-3sec. The maximum is 7min-2min. Time-delay is added continually. When it receives the second induction signals after the first induction, it will compute time once more on the rest of the first time-delay basic (set time).
- Detection Range: 180°**
-
- NOTE:**
- The PIR sensor shall always be tilted slightly downward.
 - The orientation angle of the sensor shall be between 0-45°.
 - The detection distance of the sensor is the farthest when the ambient temperature is 25 °C. Any temperature fluctuations above or below 25 °C will affect the detection distance.
 - If the light continues to detect motion while it is on, it will remain on until the motion stops.

6

PREPARATION

NOTE:
 Before beginning assembly of product, make sure all parts are present. Compare parts with parts list. If any part is missing or damaged, do not attempt to assemble the product. Estimated Assembly Time: 30-60 minutes.
 Recommended to be installed on the ground above 2.5m (8.2 ft) and no higher than 5 m (16.4 ft).
 Product appearance may vary from image shown.



WARNING:
 THIS PRODUCT MUST BE INSTALLED IN ACCORDANCE WITH THE APPLICABLE INSTALLATION CODE BY A PERSON FAMILIAR WITH THE CONSTRUCTION AND OPERATION OF THE PRODUCT AND THE HAZARDS INVOLVED.

CAUTION:
 PLEASE MAKE SURE YOUR WALL SWITCH AND POWER AT MAIN CIRCUIT BREAKER BOTH ARE OFF.
 IF IN DOUBT ABOUT ELECTRICAL INSTALLATION, CONSULT A LICENSED ELECTRICIAN.



7

PREPARATION

RISK OF SHOCK:
 BEFORE BEGINNING INSTALLATION, TURN OFF ELECTRICITY AT THE CIRCUIT BREAKER BOX OR THE MAIN FUSE BOX.

NOTE:
 BE SURE TO USE WIRE NUTS/CONNECTORS RATED FOR THE CORRECT GAUGE AND NUMBER OF WIRES USED.
 MAKE SURE THERE ARE NO EXPOSED WIRE BUNDLES OUTSIDE THE WIRE NUT/CONNECTOR (IF APPLICABLE).
 BE CAREFUL NOT TO DAMAGE OR CUT THE WIRE INSULATION (COVERING) DURING INSTALLATION. DO NOT LET THE WIRES TOUCH ANY SHARP EDGES.

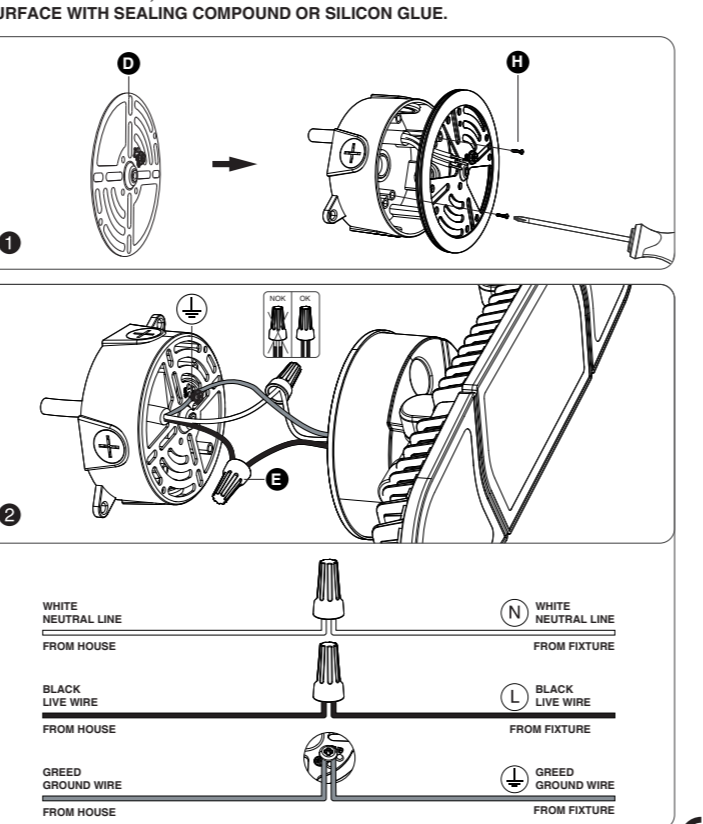
WARNING:
 DO NOT CONNECT THIS LIGHT FIXTURE TO AN UNGROUNDED ELECTRICAL SYSTEM. ATTACH GROUND FIXTURE WIRE TO EITHER GREEN GROUND SCREW ON MOUNTING PLATE OR THE GROUND WIRE IN THE OUTLET BOX.

INSTALLING THIS LIGHT IN AN UNGROUNDED ELECTRICAL SYSTEM MAY CAUSE THE METAL PARTS OF THE LIGHT TO CARRY CURRENT IF ANY WIRES OR WIRE CONNECTIONS ARE DAMAGED OR LOOSE. IN THIS CASE, ANYONE WHO TOUCHES THE LIGHT WILL RECEIVE AN ELECTRIC SHOCK, RESULTING IN INJURY OR DEATH.

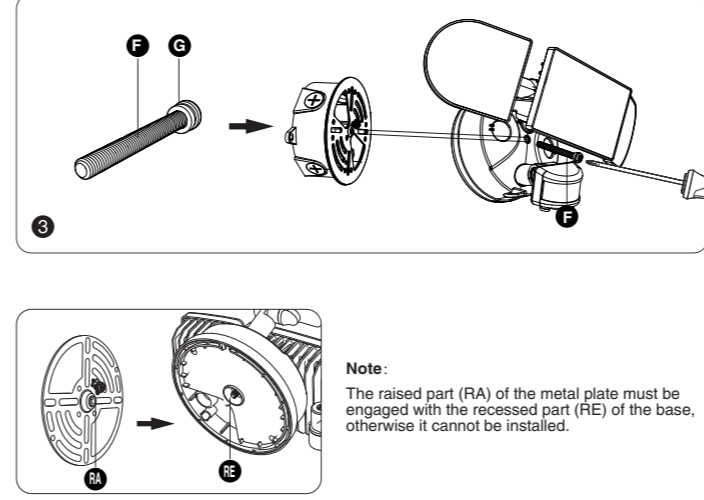


8

INSTALLATION STEPS



9



10

Troubleshooting

Malfunction	Cause	Remedy
LED senses a movement, the light does not light up	1. The light is not energized 2. Other surrounding light sources make the light misjudge it as daytime 3. During the day, the brightness is in night mode 4. Internal wiring is loose	1. Check power-on status 2. Turn off the nearby lights or sensor head to other directions 3. Reset 4. Rewiring after power failure
LED sensor light did not go out, continued to light up	Continuous movement within the sensing range	Check the relevant area and return or override the sensor head if necessary
LED sensor light illuminates during the day	The shadows around the sensor make it mistakenly think it's night	1. Do not cover the sensor head 2. Place the light in a place where the light is bright enough during the day
LED sensor light flashing	Surrounded by other unstable light sources shining onto the induction	Avoid being exposed to such light sources
LED lights turn on unexpectedly	1. Wind blows the branches and bushes within the sensing range 2. Sensing cars on the road 3. Sudden temperature change due to climate factors or fans, exhaust from open windows	1. Adjust its scope 2. Adjust its scope 3. Change irradiation area



11

Manufacturer / Hersteller:
 Shen Zhen Shi Meng Zhi Tuo Ke Ji You Xian Gong Si
 Address: qian wan yi lu 1 hao A dong 201 shi qian hai shen gang he zuo qu Shen Zhen, Guang Dong, 518000, CN
 support@onforuled.com www.onforuleds.com

EU MDH LIGHTING LTD
 Suite 302, 292 Strovolos Avenue, 2048 Strovolos
 Nicosia, Cyprus | support@onforuled.com

UK MDH LIGHTING LTD
 69 Aberdeen Avenue, Cambridge CB2 8DL,
 United Kingdom | support@onforuled.com

Made in China

