
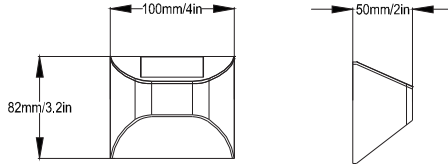


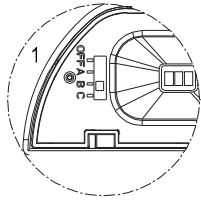
INSTRUCTIONS

 SOLAR CHARGE BY DAY

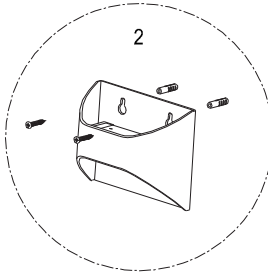
 AUTO ON BY NIGHT



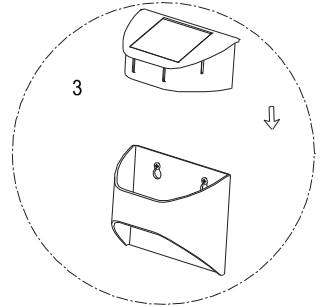
INSTALLATION STEPS:



1: Turn switch to desired mode

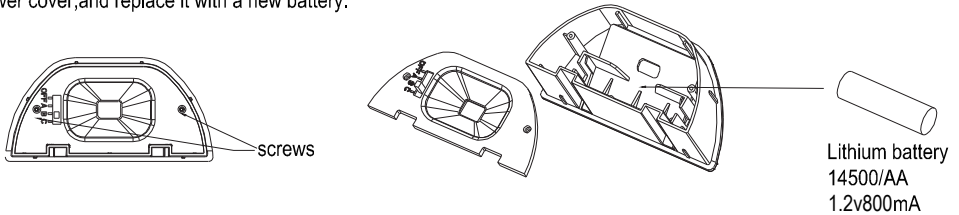


2: Fix the lamp housing to the wall to be installed with the supplied screws



3: Fit the lamp into the fixed lamp case

The rechargeable battery life of this product is 1 to 2 years. When the battery is seriously attenuated, a new battery can be replaced (battery model: 14500/AA Lithium battery, 1.2v800mA). Loosen the two screws on the lamp cover to remove the lower cover, and replace it with a new battery.



Easy to Install: No wire need, just turn on the A,B or C modes and it will work automatically. Make your life safer and more convenient. (No ambient light on solar panel at night)

WIDE USE: Sleek, simple and rainproof design; They can used on deck steps, porch stairs, fences, walls, pathways, etc.

Modes:

OFF: Light turn off

A : Light turn ON, Color temperature is daylight of 5000K

B : Light turn ON, Color temperature is warm white of 3000K

C : Light turn ON, Color temperature is cool white of 4000K

Note:The Switch must leave at A,B or C position,When the light charging.