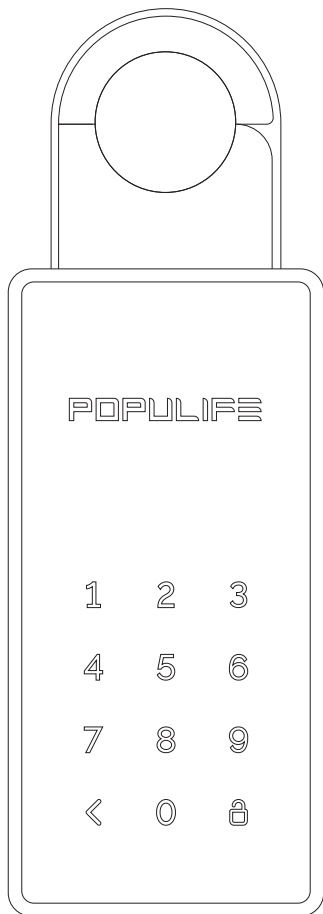


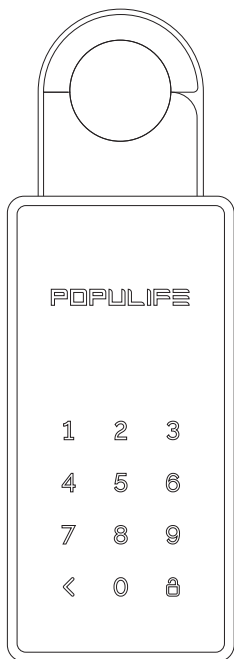
Populife Smart Keybox

— User Guide —

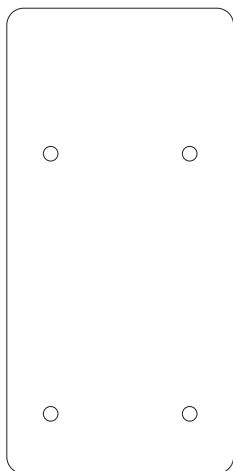


populife.co

Components Overview



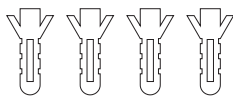
Populife Smart Keybox x 1



Rubber mat x 1



Self-tapping screws x 4



Expansion screws x 4



Waterproof rubber ring x 4



Nylon rubber stopper x 6



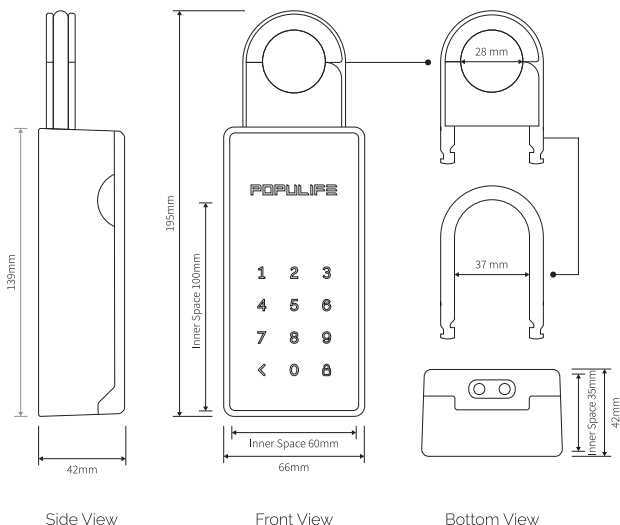
Screwdriver x 1



Battery cover screws x 1

Specifications

Model	K1
Dimensions	195(H) x 66(W) x 42(T) mm Inner space of shackle 60(W) x 35(T) mm
Material	Zinc Alloy, Steel, Plastic, Silicon Rubber
Weight	1 kg
Wireless Protocol	BLE 4.1
Batteries	4 x AAA (Not included)
Unlock Mechanism	Bluetooth, PIN code
Water and Dust Proof	IP 66
Drop Test	1 meter
Working Temperature	-13°F ~ 131°F

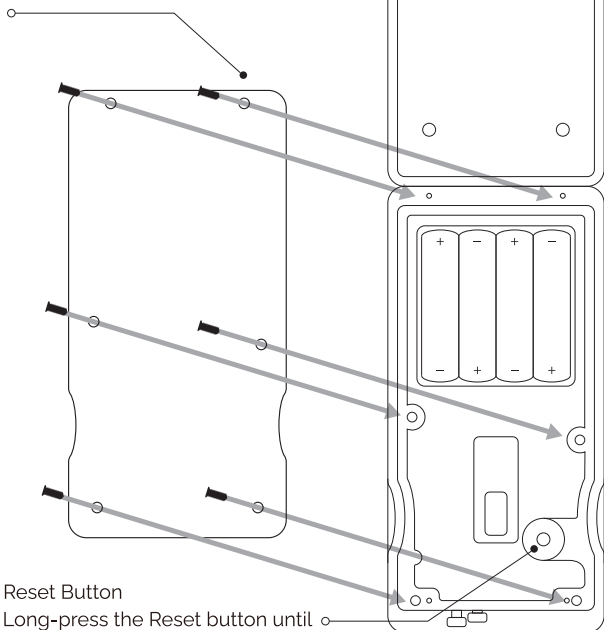


This device complies with Part 15 of the FCC Rules. Operation is subject to the following two conditions: (1) This device may not cause harmful interference, and (2) This device must accept any interference received, including interference that may cause undesired operation.

Battery Installation

Open the battery cover with the provided screwdriver, insert the batteries, and screw the battery cover back on.

You can place the rubber ring to provide better water protection around the screw holes

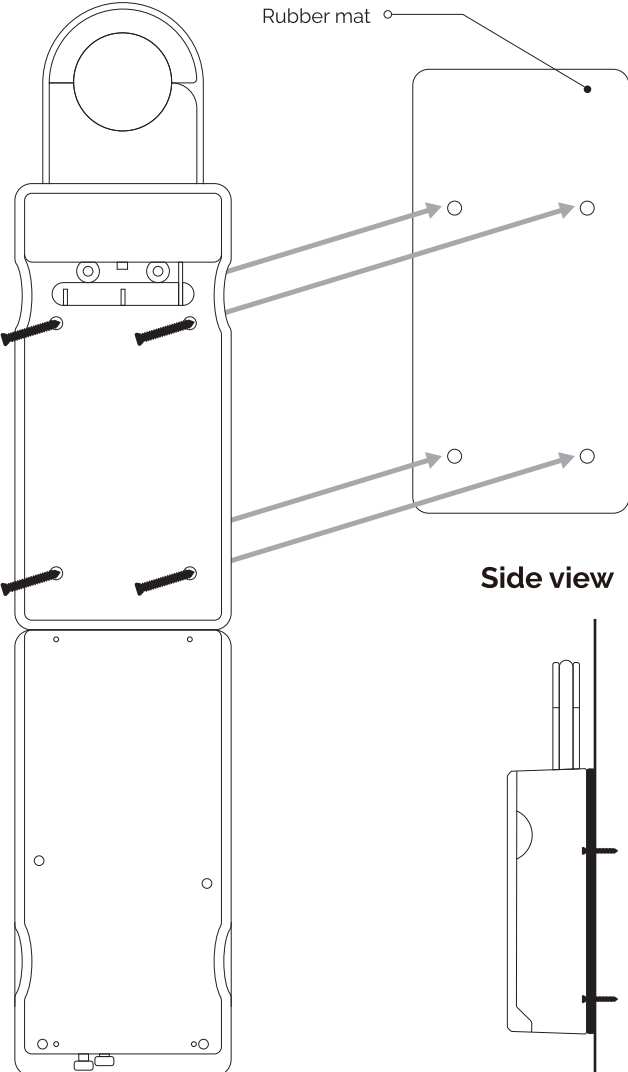


Reset Button

Long-press the Reset button until two short beeps. The device will restore to factory mode.

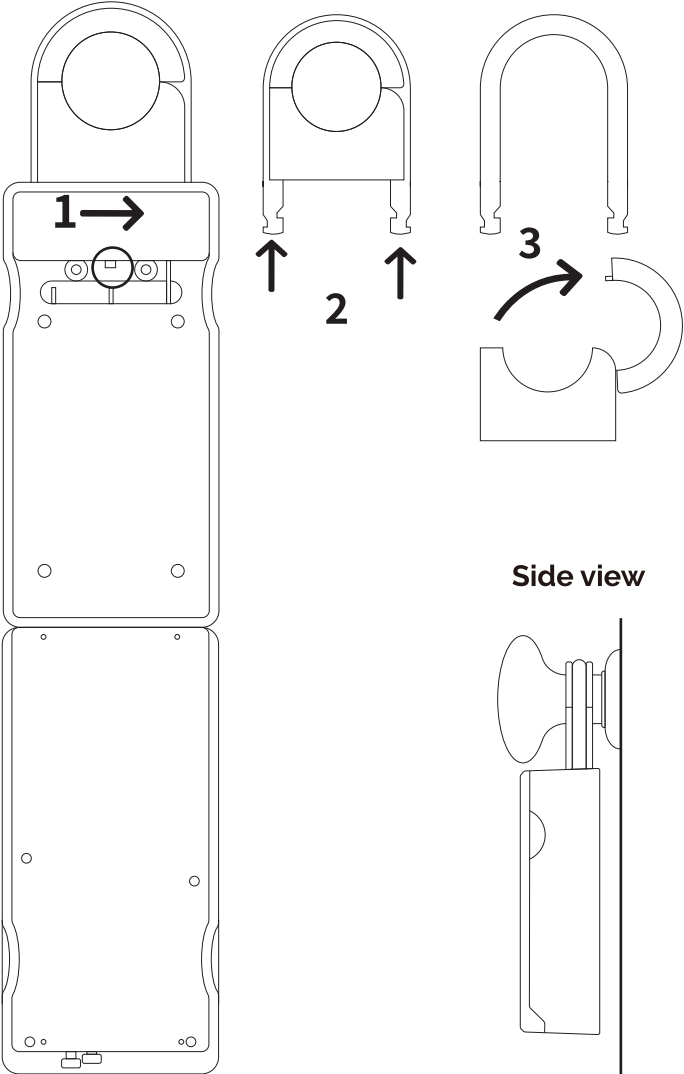
Installation

Mount it on a surface if needed

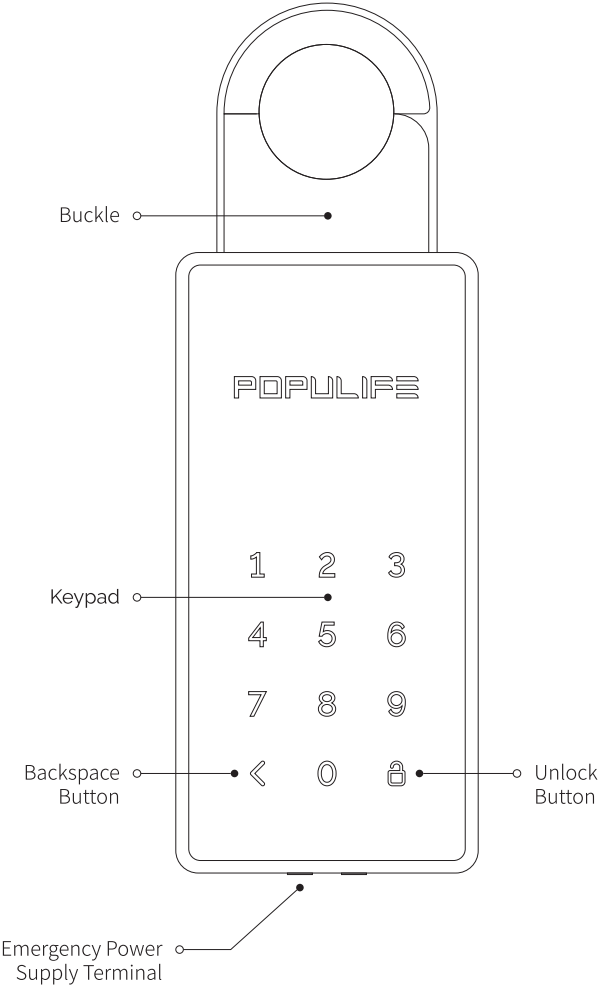


Installation

To hang on a doorknob



Identification



Quick Start Guide

Factory mode (Working without App)

1. Open the battery cover with the provided screwdriver and insert 4 AAA batteries as described on page 3. Alkaline batteries can provide better battery life.
2. Touch the keypad to wake up the Keybox, enter the default passcodes 1234 and end with "Ⓜ". You will hear a long beep sound suggesting the Keybox is activated.

Note

1. The batteries are not included in package, you need to prepare them by yourself.
2. The "Ⓜ" button is not part of the password, it's for confirmation.

Read these notes before using

1. In "Factory mode" (Before App pairing), the default keypad password is 1234. Once the lock is paired in Populife App, the default password becomes invalid and you will get a new Admin password in "Lock settings" in App. If you delete the lock from the App, the password 1234 becomes valid again.
2. Every time the Keybox is closed, it will automatically lock itself.
3. To control the Keybox more conveniently, like unlocking via Bluetooth, creating and sharing passwords, you can install "Populife" App through App Store, Google Play or the QR code below.
4. The Keybox is controlled by the phone via Bluetooth. While operating, please enable phone Bluetooth, and make sure that the Keybox is within the range of phone Bluetooth (Allowing for different circumstances, the suggested distance is less than 2 meters);



App Store



Google Play

How to Use

Pair the Keybox in App

In the homepage of Popuife App, tap "+" button > Select "Keybox" > Follow the instructions to complete the pairing.

1. Please confirm that 1234 can unlock before pairing, if not, you can long-press the RESET button until a beep sound which indicates the Keybox has been reset. The RESET button is under battery cover shown in page 5.
2. During the pairing process, please keep the lockbox open to ensure a successful connection and prevent any issues with opening the device later on.
3. If the pairing is unsuccessful, you can take the following steps:
 - Restart Bluetooth and Internet connection on your phone;
 - Restart Populife App on your phone;
 - Pair the Keybox again.
4. If the lock was paired before, please get the previous owner of the lock to delete it in the App. The "Delete" button can be found at the bottom of "Lock settings".

Unlock by Admin Passcode

Admin passcode is generated after pairing successfully, which can be used to unlock via keypad. If the number you entered is incorrect, you can press the " " key to re-enter. Or you can enter the Decoy Code to unlock it. For details about decoy code, please refer to page 10 of this manual.

Note

1. If you want to modify it, you can follow below:

Lock page on Populife App > "Settings" > Admin code > Enter 6-9 digits > Tap "Save"

2. If you enter the wrong passcode continuously for more than 5 times, the keypad will be disabled for 5 minutes. You can enable it immediately by unlocking via Bluetooth in Populife App or wait for 5 minutes to enter the correct passcode again.

Unlock by Bluetooth key

Turn on Bluetooth, make sure the phone is close to the Keybox, and unlock the Keybox by clicking the UNLOCK button in App.

How to Use

Sharing Passcode

It is a 6-9 digits, time-sensitive passcode which can be created on App by the administrator or authorized user. You can create and share passwords by following these steps: Lock page on Populife App > Select "PIN code" > Tap "+" button > Select code type > Configure and generate a code > Tap "Share"

Note

1. One-time code is valid within 6 hours after created; Permanent/Clear/Cyclic code must be activated within 24 hours after created; Time-limited code must be activated within 24 hours from its start time;
2. When creating a Custom code, ensure that the phone Bluetooth is enabled and your phone is close to the Keybox.

Sharing Bluetooth key

Lock owner can authorize other Populife's REGISTERED users to unlock via Bluetooth keys on App. You can share Bluetooth keys by following these steps:

Lock page on Populife App > Select "Digital Key" > Tap "+" button > set a key and share it by Populife account or generate a link.

Unlocking records

You can view the operation records of the Keybox. And the operation will be recorded only when the Keybox is unlocked successfully. You can view and synchronize the records by following these steps:

Lock page on Populife App > Select "History"

You can synchronize the unlocking records via Bluetooth near the Keybox.

Security

Calibration Time

This feature lets you sync the device's time to match your phone's time. To ensure that all time-sensitive passcodes work on time, we recommend calibrating the lock time either after every time you replace the battery or periodically.

Lock page on Populife App > "Settings" > Tap "Calibration time"

Security Alarm

If the Keybox is not closed properly, it will beep to indicate that it is not secure.

Decoy Code

You can enter up to 10 digits before or after the correct password to prevent someone from peeking your password.

For example, you can unlock it by entering 1231598765443345, where 876544 is the correct password.

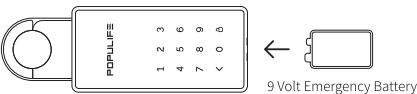
The maximum length for one attempt is 16 digits. This feature is enabled after pairing in App.

Emergency Jump Start

The batteries can support up to 10,000 operations of unlocking/locking (approx. 12 months).

When the batteries are dead, you can jumpstart the keybox with a 9V battery via the 2 pins on bottom of the lockbox, as shown below.

Please hold on until you hear a beep indicating the device is powered on, and enter your passcode to unlock. Then, remove the battery cover and replace the batteries.



**More questions?
Please contact us.**

POPULIFE

Instagram @populifelock
Facebook www.facebook.com/populife
E-mail support@populife.co
Phone +1 619-797-6198 (7am - 10pm GMT+8 available)

www.populife.co