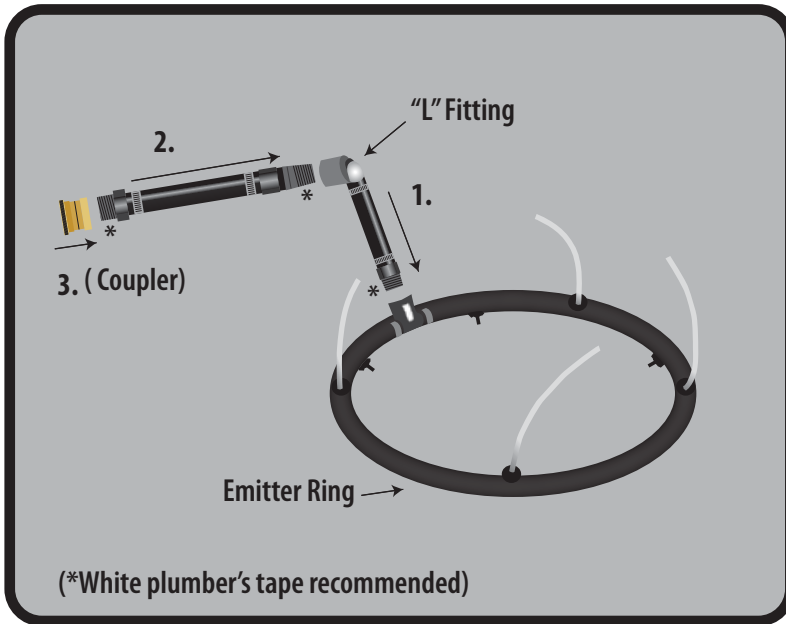


## Top-mount Configuration for planted Garden Tower:



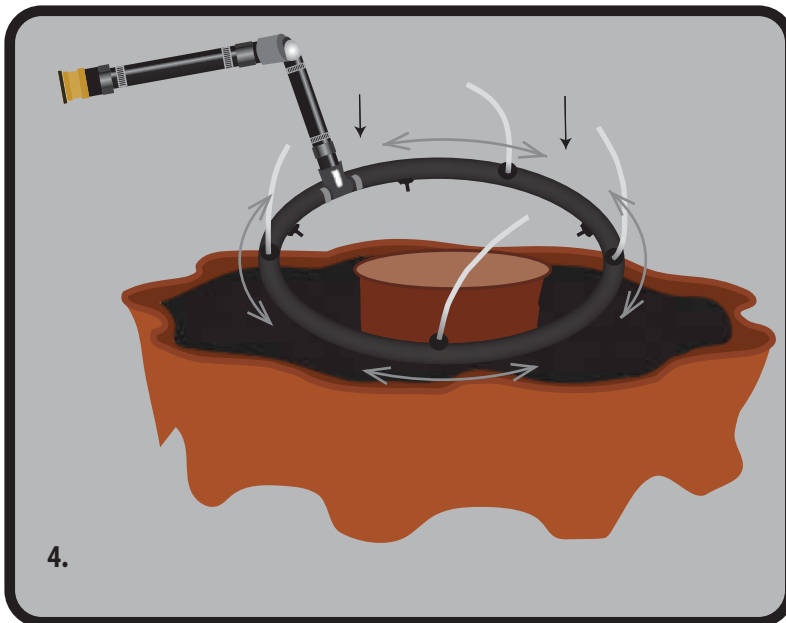
If your Tower is already planted, first water, then carefully remove the plants growing on the top of the planter, being sure to leave enough soil around the roots. Place them in a container out of direct sunlight for temporary storage.

1. Thread the shortest pipe onto the right angle "L" fitting on the irrigation emitter ring.

2. Next, thread the other pipe into the end of the pipe you just placed. This will be at a right angle extending away from the center of the ring. If you want, use white plumbers thread tape to prevent any leaks at this connection. This helps prevent leaks which could drip outside the Tower.

3. Install the brass hose coupler tightly on the end of the 2<sup>nd</sup> pipe.

4. Place the irrigation emitter ring on the top of the Tower and rotate it back and forth while pressing down until it rests on the ledge at the bottom of the top grow ring. (approximately 4" deep).



5. Cover the emitter ring with soil. Replant the plants and add additional soil if needed, until soil is about 1/2" from the top of the Tower.

Turn the 4 top level watering hoses (white tubes extending from the top of the watering ring) into a spiral pattern so that when water runs through, it will water above the ring, **NOT** towards the center or outer edge.

