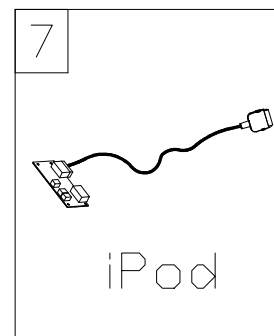
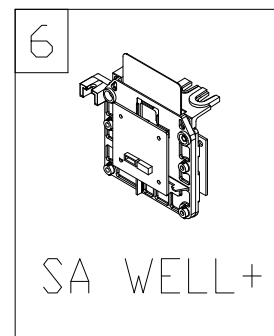
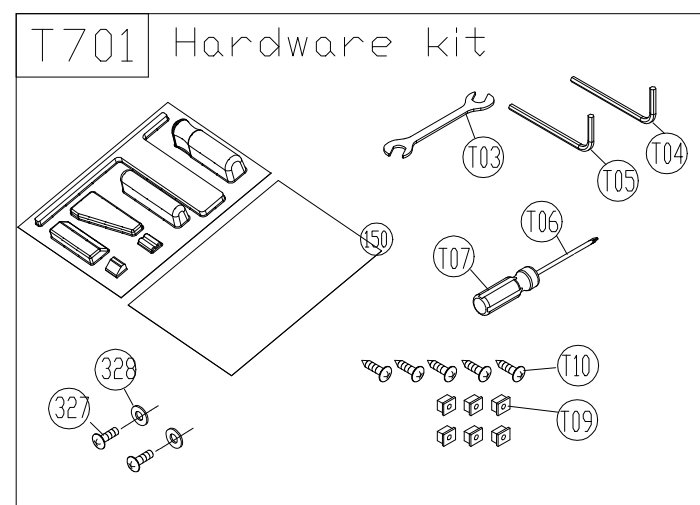
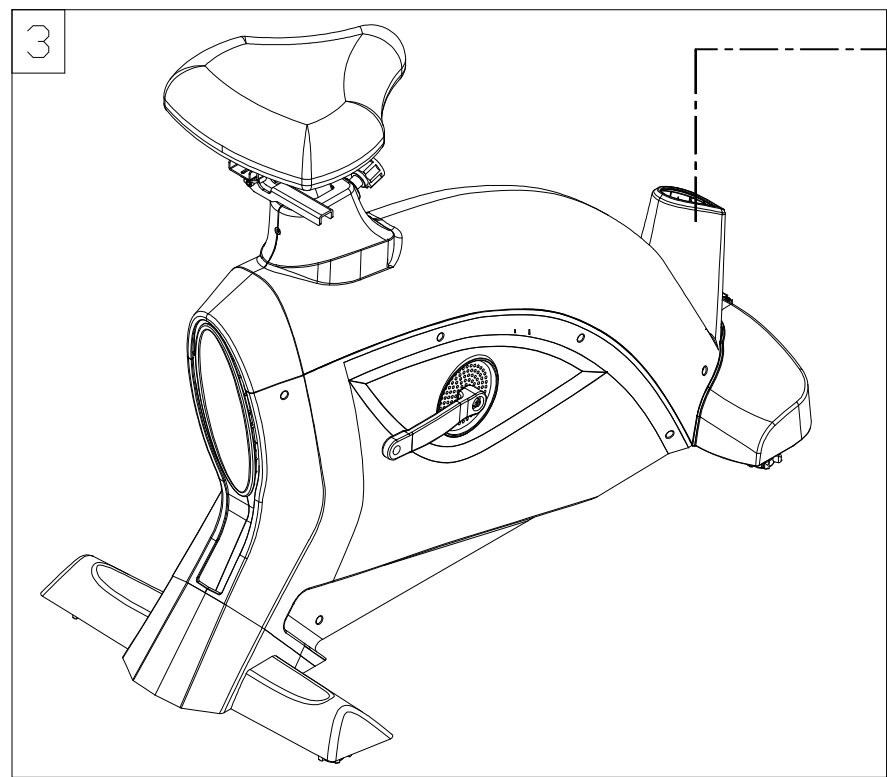
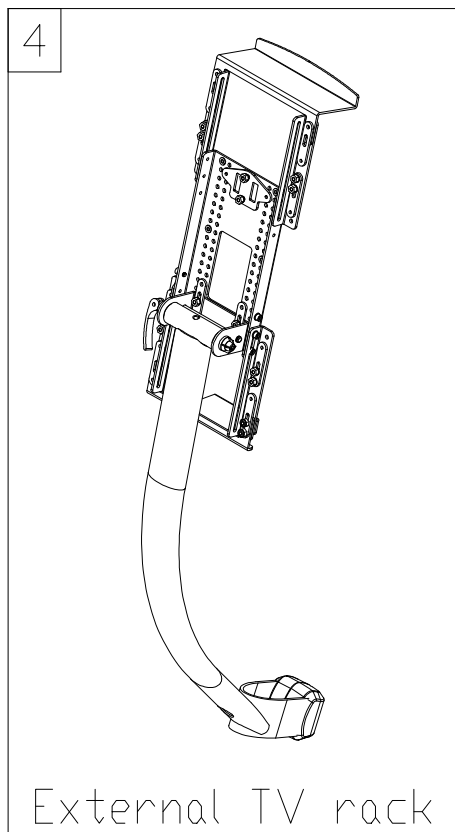
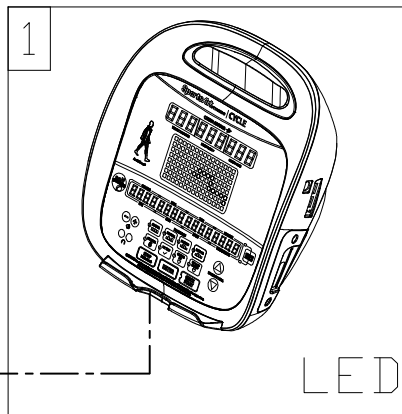
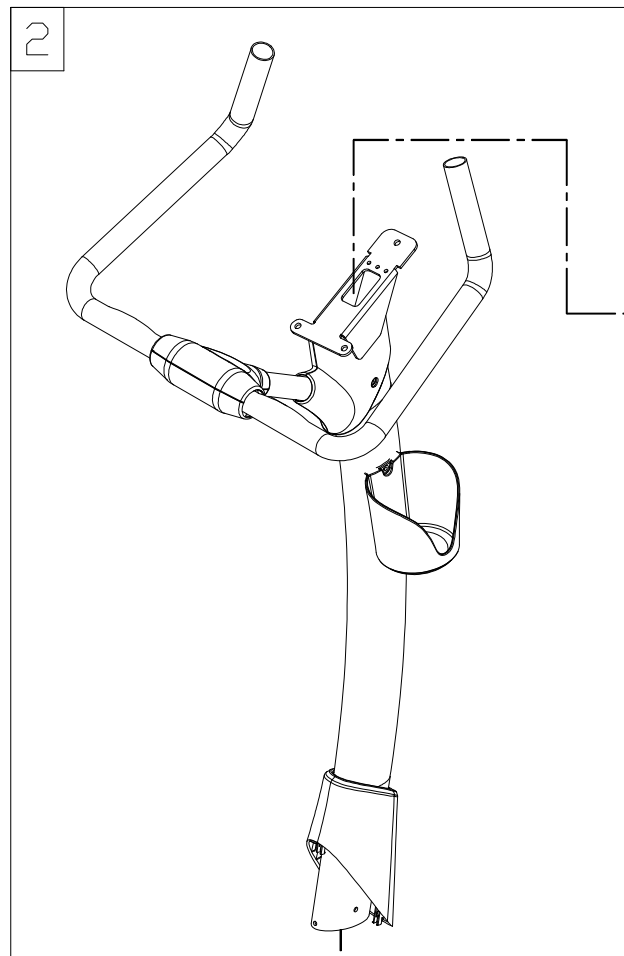
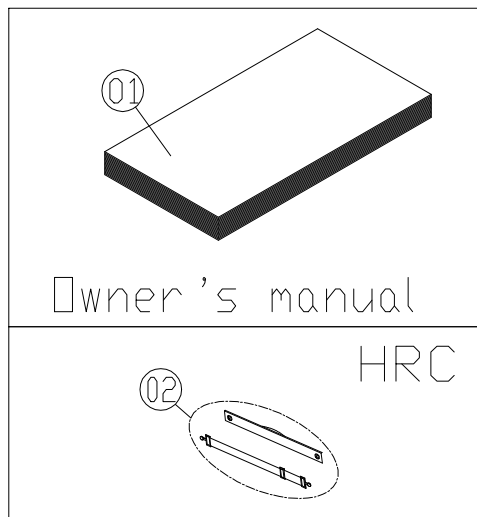


BBL	Description	QTY	Part Number	BBL	Description	QTY	Part Number
001	OWNER'S MANUAL	1	C535U-001	212	SCREW - P (M5*P0.8*L15)	2	002-211-256
002	POLAR HEART RATE STRAP	1	3100-03A	215	SCREW - P (M5*P0.8*L8)	4	002-211-252
004	DISPLAY OVERLAY	1	C545U-004	216	BATTERY BRACKET	1	C545U-216
004A	DISPLAY OVERLAY WITH CUTOUT	1	054-563-012	218	SIDE BRACKET	1	C545U-218
005	NO 900MHz OVERLAY	1	000-063-970	219	STICKER - FUSE 3A 110V	1	C545U-219
005	900MHz OVERLAY	1	000-063-980	221	SCREW - P (M5*P0.8*L8)	2	002-211-252
006	STICKER - BUTTONS	4	000-063-705	222	PLASTIC SLEEVE (D9*D5.1*L8)	2	030-141-013
007	SMALL CAP	4	054-730-250	223	MODEL BOARD BRACKET	1	C575U-461
012	ENTERTAINMENT CAP	1	C545U-012	224	SCREW - P (M4*P0.7*L12)	2	002-211-225
014	PLASTIC RIVET	1	C521M-093A	225	SCREW - B/H (M8*P1.25*L20)	1	002-205-820
015	IPOD HOLDER	1	C545U-015	226	WASHER - F ( D22*D8.5*T3.0)	1	003-301-056
016	SCREW - M/P (M4*L10)	2	002-210-002	227	NUT - H (3/8")	2	001-102-042
019	SCREW - M/P (M4*L10)	2	002-210-002	228	FLYWHEEL HARDWARE	2	051-810-080
020	SCREW BRACKET	2	C575U-020	229V	DRIVE BELT - (460J7)	1	C52U-47A
021	SCREW - M/P (M4*L10)	6	002-210-002	230	STICKER - MODEL NUMBER	2	C535U-230
025	SCREW - M/P (M4*L12)	2	002-210-003	231	NECK COVER - RIGHT	1	C545U-231
026	MAGAZINE HOLDER	1	C545U-026	232	SCREW - M/P (M4*L14)	4	002-210-015
029	STICKER - QR CODE	1	C575U-013	234	SCREW INSERT	4	000-076-820
030	SUPPORT PLASTIC	2	C545U-030	235	SCREW HOLE CAP	1	C575U-314
031	SCREW - M/P (M4*L16 D8.5)	5	002-210-004	236	SCREW - B/H (M6*P1.0*L12)	4	002-205-612
032	DISPLAY SUPPORT FRAME	1	E83-01	237	WASHER - F (D13*D6*t1.0)	4	003-301-034
033	SCREW - B/H (M6*L20)	3	002-202-032	238	NECK COVER - LEFT	1	C545U-238
034	WIRE CLIP - (1/4")	1	000-076-430	239	END CAP	2	803-06
035	SCREW - P (M5*P0.8*L8)	1	002-211-252	240	HANDLEBAR GRIP	2	C521U-029
046	KEY CUSHION	16	032-630-280	243	STICKER - LEFT	1	080-963-040
064	SCREW - P (M3*L8)	4	002-212-042	244	STICKER - RIGHT	1	080-963-041
097	SCREW - P (M3*L12)	2	002-212-045	245	HANDLEBAR COVER - UPPER	1	C545U-245
098	SCREW - P (M3*L8)	18	002-212-042	246	HANDLEBAR COVER - LOWER	1	C545U-246
154	SCREW - P (M4*L8)	2	002-212-070	247	SCREW - M/P (M4*L14)	2	002-210-015
157	STICKER - NFC	1	000-063-125	248	PEDESTAL COVER - LOWER	1	C545U-248
158	STICKER - NFC	1	000-063-126	249	SCREW - H (M8*P1.25*L20)	6	002-206-063
160	DISPLAY BACK PLASTIC	1	C545U-160	250	WASHER - S (D18*D8.5*T2.0*19T)	6	003-304-063
161	SCREW - M/P (M4*L25)	4	002-210-005	251	BOTTLE HOLDER	1	C545U-251
164	PLASTIC GUIDE RING	4	C575U-164	253	SCREW - M/P (M5*L15)	2	002-210-035
165	ZIP TIE	5	C545U-165	256	PEDALS & STRAPS - PAIR	1	5002-16
166	ZIP TIE	11	000-076-241	256.1	PEDAL STRAPS - PAIR	1	5002-16A
167	STICKER	1	054-563-051	257	CRANK NUT CAP	2	5002-17B
168	STICKER - MEMBER CARD	1	C545U-168	258	SPINDLE NUT	2	NT01-01
171	BRACKET - RIGHT	1	C545U-171	259	CRANK ARM - LEFT	1	C51U-27
172	SCREW - M/P (M4*L10)	4	002-210-002	260	SPINDLE COVER	2	C545U-260
173	DISPLAY SIDE COVER - RIGHT	1	C545U-173	261	SCREW - M/P (M4*L14)	5	002-210-015
174	SCREW - P (M4*P0.7*L12)	4	002-211-225	263	SEAT POST COVER - RIGHT	1	C545U-263
175	BRACKET - LEFT	1	C545U-175	264	SCREW - M/P (M4*L8)	1	002-210-014
176	DISPLAY SIDE COVER - LEFT	1	C545U-176	265	SEAT POST COVER - LEFT	1	C545U-265
178	CARD GUIDE COVER	1	C545U-178	266	SEAT BOTTOM FRAME	1	C520U-044A
203	SCREW - P (M4*P0.7*L12)	2	002-211-232	267	SEAT CUSHION	1	C52U-23
204	WASHER - F (D8*D4*T1.0)	2	003-301-017	268	NUT - (M6*P1)	1	001-105-013
205	STICKER - GROUND WIRE	1	000-063-002	269	WASHER - F (D27*D6.3*T3.0)	2	003-301-008
207	SCREW - P (M5*P0.8*L8)	2	002-211-252	270	SPACER	1	052-830-010
208	POWER SWITCH OVERLAY	1	054-163-023	271	SEAT PEDESTAL	1	154-050-021
210	STICKER - BATTERY	1	052-563-060	272	SPACER BLOCK	1	152-810-080

BBL	Description	QTY	Part Number	BBL	Description	QTY	Part Number
273	BRACKET	1	152-810-040	354	CRANK ARM - RIGHT	1	C51U-49
274	SCREW - B/P (M4*12)	2	002-207-130	356	SCREW - M/H (M8*P1.25*L20)	1	002-220-824
275	SCREW - B/H (M6*P1.0*L35)	1	002-205-632	357	WASHER - (D25*D8.2*T5.0)	1	103-301-170
276	ADJUSTMENT LEVER PIN	1	152-850-040	361	IDLER PULLEY AXLE	1	C545U-361
277	NUT - H/N (M6*P1.0*6)	1	001-101-071	362	SCREW - B/H (M5*P0.8*L12)	4	002-230-515
278	ADJUSTMENT HANDLE	1	154-053-014	363	WASHER - F (D17*D8*T2.0)	1	020-110-020
279	SEAT POST SHEATH	1	C545U-279	364	SCREW - B/P (M6*P1.0*L12)	1	002-207-150
280	SCREW - M/P (M4*L14)	2	002-210-015	365	IDLER PULLEY BUSHING	1	C50R-68
281	SCREW - M/P (M4*L14)	3	002-210-015	368	IDLER PULLEY SPRING	1	C51U-12
283	SCREW CLIP - (M4-L16)	8	1250-111	369	SCREW - P (M5*P0.8*L8)	1	002-211-252
285	SCREW - M/P (M4*L8)	2	002-210-014	701A	DISPLAY ASSEMBLY - COMPLETE - 900MHz	1	154-991-011
286	TAPE - FOAM	2	000-065-142	703	ENTERTAINMENT CAP	1	C545U-703
289	SCREW - M/P (M5*L12)	2	002-210-036	707	DISPLAY CONTROL BOARD & CHIP - V2.0	1	C545U-707
290	WASHER - S (BW5 3/16")	2	003-304-050	708	HEADPHONE JACK	1	T652-448
292	TRANSPORT WHEEL	2	C521M-123	708A	HEADPHONE JACK - V2.0	1	158-691-080
293	TRANSPORT WHEEL AXLE	2	099-213-010	709A	DISPLAY FRONT & OVERLAY - NEW	1	154-591-091
294	WASHER - F (D16*D10.2*T1.0)	4	003-301-141	711	HTR RECEIVER BOARD & WIRE	1	C575U-711
295	E-CLIP - (8MM)	4	004-402-009	713	DISPLAY BACK HOUSING	1	C545U-713
296	SCREW INSERT	6	000-076-820	741	HANDLEBAR	1	C535U-741
297	CONNECTOR BRACKET	2	C545U-297	742	HANDLEBAR COVER	1	C545U-742
298	SCREW - M/P (M5*L12)	2	002-210-036	743	UPPER PEDESTAL COVER	1	C545U-743
299	END CAP	1	C51R-05	744	PEDESTAL COVER - LOWER	1	C535U-744
300	SCREW INSERT	4	000-076-820	751	SPACER SET	1	C52U-21
301	CONNECTOR BRACKET	2	C545U-301	752	SEAT ADJUSTMENT LEVER	1	C520U-46
302	SCREW - M/P (M5*L12)	4	002-210-036	753	SEAT POST	2	C545U-753
303	ADJUSTMENT KNOB	1	C520U-034	754	SEAT POST ASSEMBLY	1	C545U-754
304	SCREW - P (M4*P0.7*L6)	1	002-211-222	755	SEAT POST COVER SET	1	C545U-755
305	SCREW INSERT	5	000-076-820	756	SIDE COVER - RAW - LEFT - NO CUT OUT	1	057-130-039
307	SCREW - B/H (M8*P1.25*L20)	4	002-205-820	756.1	SIDE COVER - RAW - LEFT - CUT OUT	1	057-130-036
308	WASHER - SP (M8)	4	003-302-010	757	CENTER COVER	1	C545U-757
309	WASHER - F ( D22*D8.5*T3.0)	4	003-301-056	758	SEAT POST SLEEVE	1	C545U-758
315	REED SWITCH BRACKET	1	C50R-47	760	TRANSPORT WHEEL AXLE	2	C521M-425
316	SCREW - M/P (M4*L14)	2	002-210-015	762	TRANSPORT WHEEL COVER - OLD	1	C545U-762
317	SCREW - P (M3*P0.5*L10)	2	002-211-314	762A	TRANSPORT WHEEL COVER - NEW	1	154-791-621
326	REAR LEG COVER	1	C545U-326	763	LEVELER FOOT	2	C570U-69
327	SCREW - M/P (M5*L12)	2	002-210-036	764	IDLER PULLEY	1	C521U-425
328	WASHER - S (BW5 3/16")	2	003-304-050	765	FLYWHEEL ASSEMBLY	1	C521U-426
332	SCREW INSERT	6	000-076-820	766	DRIVE PULLEY	1	C520U-20
336	SNAP RING - (STW-20)	2	004-401-006	767	DRIVE PULLEY & SPINDLE	1	C545U-767
337	WASHER - (D30*D20.2*T0.5)	1	103-301-151	768	MAIN FRAME - OLD	1	154-791-680
338	WASHER - W (D30*D20)	1	003-303-009	768A	MAIN FRAME - NEW	1	154-791-681
339	BEARING - (620ZZ)	2	8003-71	769	REAR FRAME	1	154-791-690
339R	SCREW - H (M5*L5)	1	002-204-064	770	LEVELER FOOT & NUT	2	C520U-27
339S	SPINDLE BUSHING	1	053-211-250	772	SIDE COVER - RAW - RIGHT - NO CUT OUT	1	057-130-049
342	SPINDLE	1	C520R-96	772.1	SIDE COVER - RAW - RIGHT - CUT OUT	1	057-130-046
343	WASHER - SP (M6*T1.5)	4	003-302-002	773	POWER BRACKET ASSEMBLY - OLD	1	C545U-773
344	SCREW - B/H (M6*P1.0*L20)	4	002-205-620	773A	POWER BRACKET ASSEMBLY - NEW	1	154-791-731
345	SCREW CLIP - (M4-L16)	1	1250-111	774	SIDE COVER ASSEMBLY	1	154-991-740
346	SCREW - M/P (M4*L14)	6	002-210-015	A01	WIRE - BLUETOOTH BUTTON	1	C575U-010
350	OVAL COVER	1	C545U-350	A02	USB BOARD	1	C575U-063
352	STICKER - SPORTSART	2	000-063-820	A04	HTR RECEIVER BOARD	1	C575U-044

BBL	Description	QTY	Part Number	BBL	Description	QTY	Part Number
A05	WIRE - HRC BOARD TO DISPLAY	1	C575U-043				
A06	HEADPHONE JACK - V1.0	1	S770-259				
A07	WIRE - BOOTLOADER	1	C575U-101				
A08	WIRE - USB CHARGER	1	C575U-102				
A09	CSAFE BOARD	1	C575U-153				
A10	WIRE - CSAFE & USB	1	C575U-155				
A11	DISPLAY CONTROL BOARD - V2.0	1	154-520-013				
A11A	DISPLAY CONTROL BOARD - V3.0	1	154-520-014				
A12	WIRE - DISPLAY TO PEDESTAL	1	C545U-A12				
A13	WIRE - LED LIGHT	1	S715-017				
A14	WIRE - DISPLAY TO HEADPHONE	1	058-627-040				
A35A	WIRE - BATTERY CHARGER	1	C545U-A35				
A36	FUSE - 3A 110V	1	C575U-240				
A37	WIRE - GROUND	1	E835-A44				
A38	WIRE - BATTERY TO DRIVE	1	C545U-A38				
A39	BATTERY - 12V 4A	1	C545U-A37				
A39.1	WALL CHARGER - 18V	1	<-----				
A40	WIRE - DRIVE BOARD TO PEDESTAL	1	C572U-043				
A41	WIRE - POWER TO DRIVE	1	C545U-A41				
A43	DRIVE BOARD - 110V	1	C575R-245				
A71	WIRE - FLYWHEEL TO DRIVE	1	C52U-39				
A72	MODEL BOARD	1	057-820-062				
A73	SPEED SENSOR - REED SWITCH	1	C545U-A33				
A74	WIRE - MODEL NUMBER	1	C575U-248				
T701	HARDWARE KIT	1	C545U-T701				



No.	Diagram	Tool Needed
1	CAS-F102B	
2	CAS-F102C	
3	CAS-F102D	
4	CAS-F101E	OPTION
5	CAM-F101D	OPTION
6	CAQ-F101F	OPTION
7	CAT-F101F	OPTION

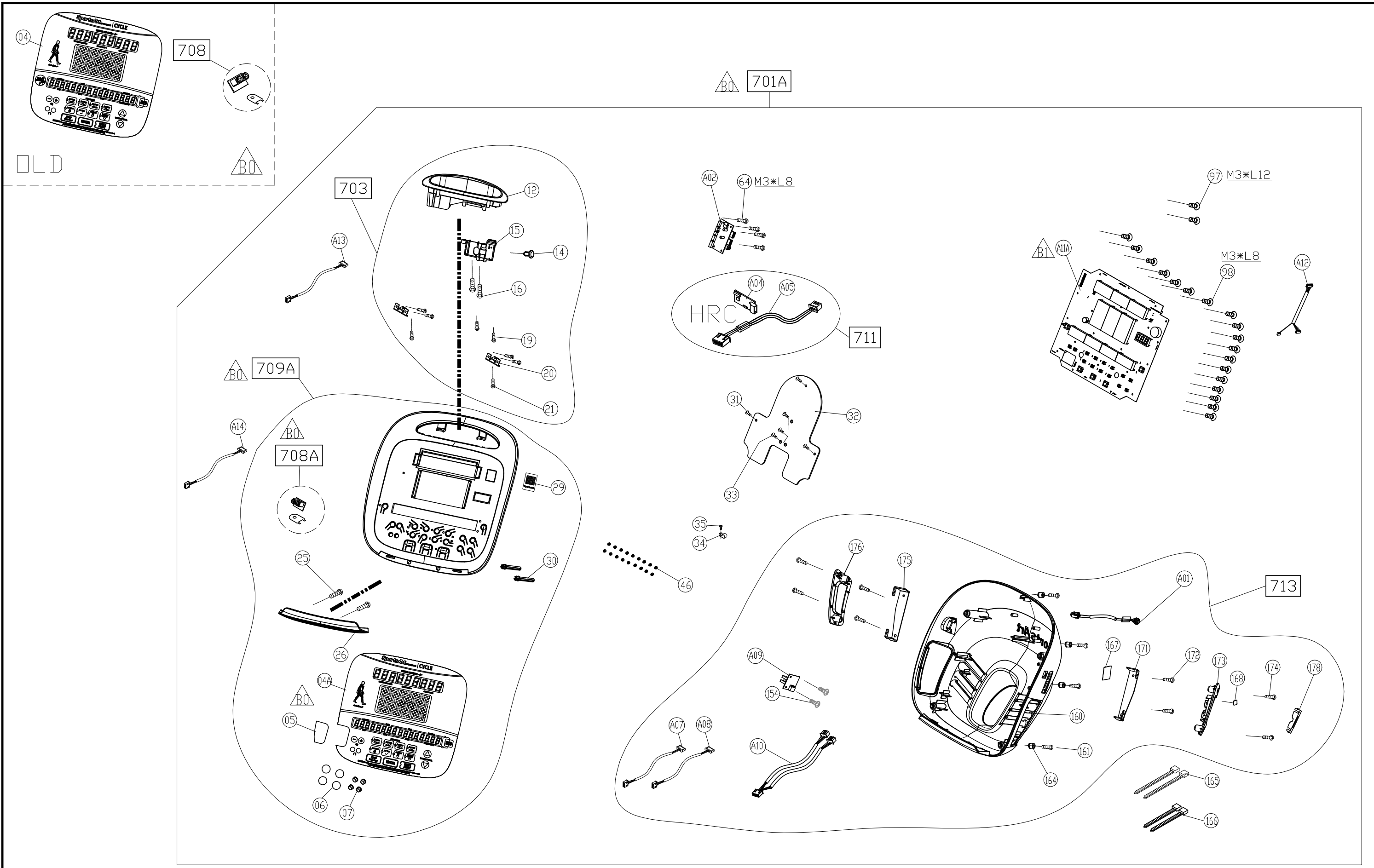


CHANGE DATE	CHANGE DESCRIPTION	CHANGE NO.	NAME
2015.06.05	iPod爆炸圖由TBK-F101E改為CAT-F101F		林士文

**SportsArt**  
FITNESS

RESTRICTED USAGE,  
PLEASE DON'T FORWARD TO ANYONE WHO ISN'T AUTHORIZED

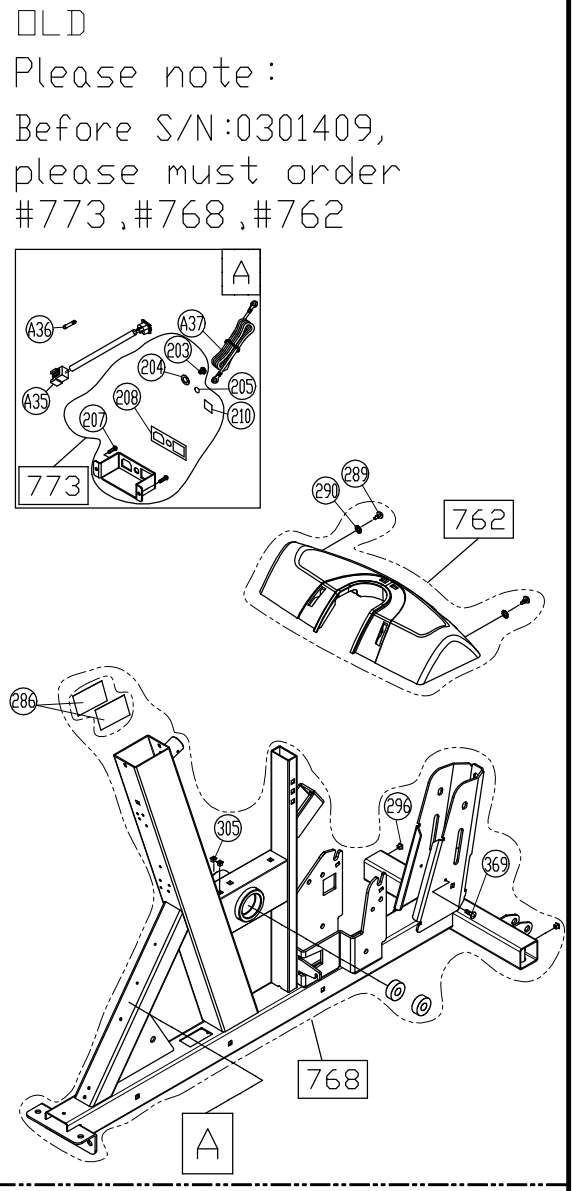
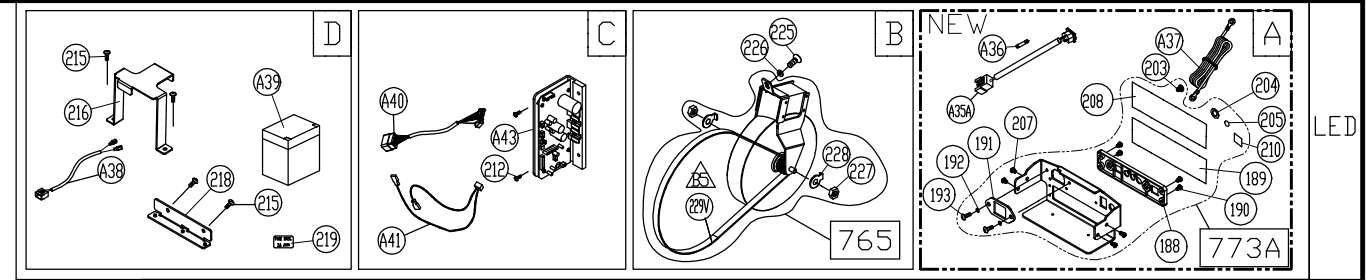
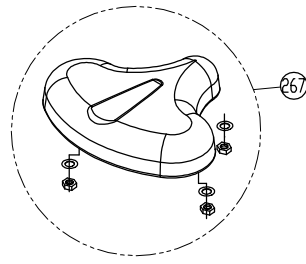
DRAWN BY	UNITS	MM	SALES BLOW UP DIAGRAM	DIAGRAM NO.	CAS-F102A-A
	QTY	1			C535U
VERIFIED BY	VERSION	A1	XX	MODEL	
	RATIO	1:10			



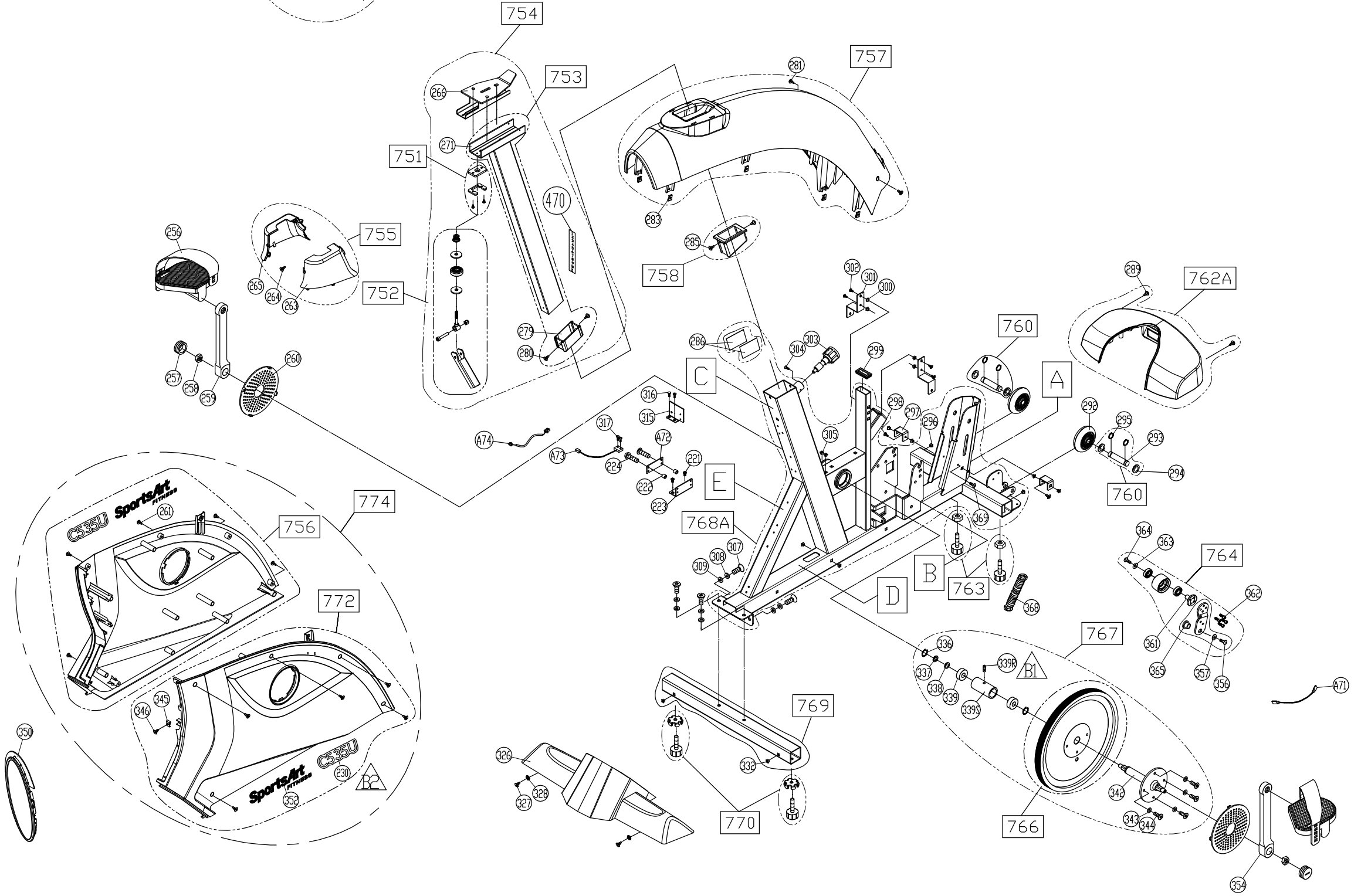
CHANGE DATE	CHANGE DESCRIPTION	CHANGE NO.	NAME
2016.01.13	△B0 區分TV WAR差異料件	02-20141036M 02-20141036T	林士文
2018.02.23	△B1 (A1) 控制板設變為 (A1A), 取消程式轉接板 (A03), 故取消 707	03-20151204T	黃柏勳

  
 RESTRICTED USAGE,  
 PLEASE DON'T FORWARD TO ANYONE WHO ISN'T AUTHORIZED

UNITS	MM	SALES BLOW UP DIAGRAM	DIAGRAM NO.	CAS-F102B-B
QTY	1			C535U-LED
VERSION	B1	XX	MODEL	
RATIO	1:8			

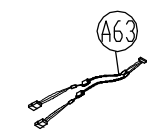
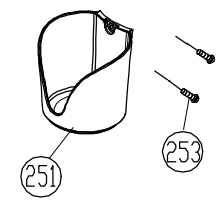
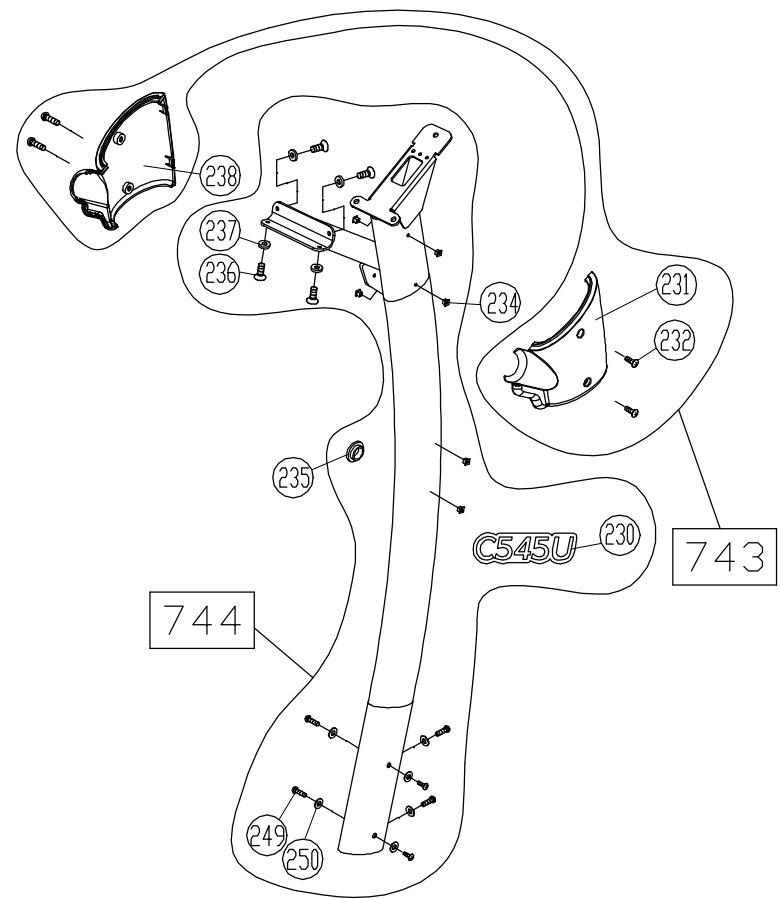
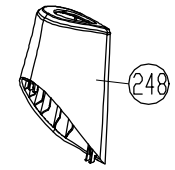
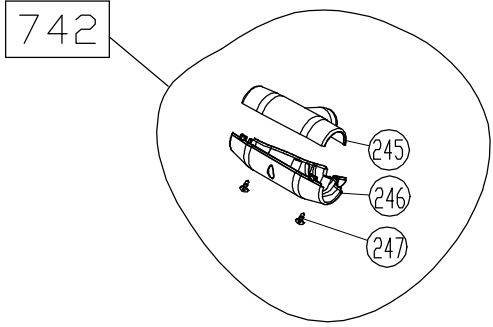
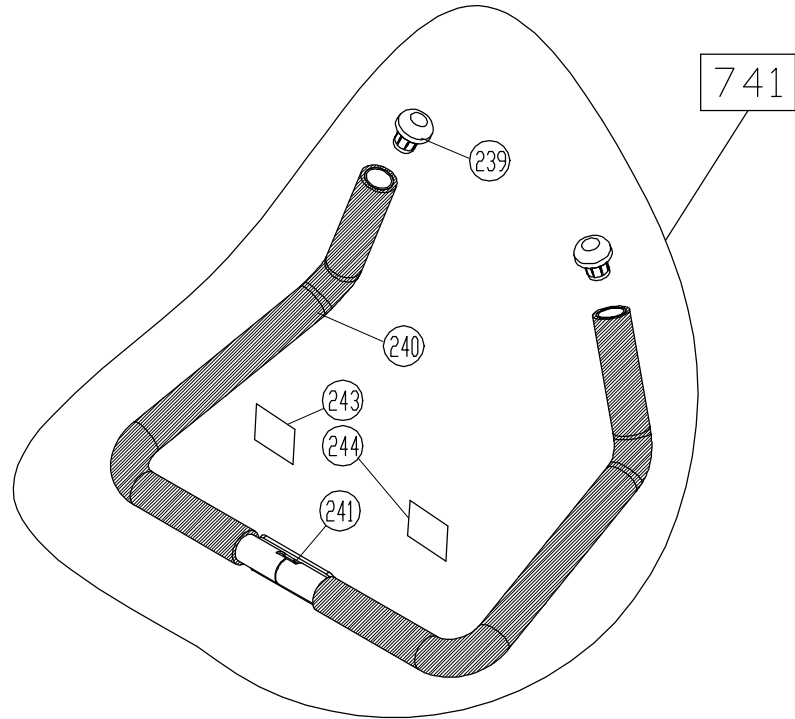
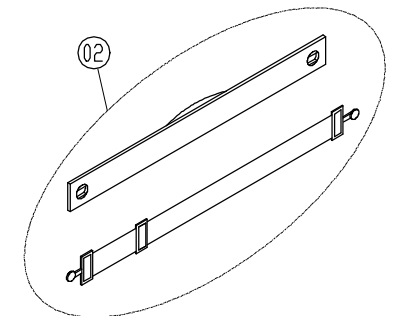


OLD  
Please note:  
Before S/N:0301409,  
please must order  
#773, #768, #762



CHANGE DATE	CHANGE DESCRIPTION	CHANGE NO.	NAME	<p>RESTRICTED USAGE, PLEASE DON'T FORWARD TO ANYONE WHO ISN'T AUTHORIZED</p>	DRAWN BY	UNITS	MM	SALES BLOW UP DIAGRAM	DIAGRAM NO.	CAS-F102D-B	
2016.01.26	BA ④39件號重覆, 錯誤料件取消		黃永業		VERIFIED BY	QTY	1				C535U
2016.12.13	B5 新增 ②90 皮帶可單寄		張又仁			VERSION	B5			MODEL	
2015.10.28	B3 762A 取消 ②90		楊淵堯			RATIO	1:12				

HRC



CHANGE DATE	CHANGE DESCRIPTION	CHANGE NO.	NAME	 RESTRICTED USAGE , PLEASE DON'T FORWARD TO ANYONE WHO ISN'T AUTHORIZED	DRAWN BY	UNITS	MM	SALES BLOW UP DIAGRAM	DIAGRAM NO.	CAS-F102C-A	
					VERIFIED BY	QTY	1			MODEL	C535U
						VERSION	A0				
						RATIO	1:8				