

Living up to Life



Leica DMi1

Designed for Cell
and Tissue Culture

JUST RIGHT –
SMART CHOICE

Technical Data



Leica DMi1 System Diagram

Stage inserts



Stage Insert, 5mm Opening 11 526 114
 Stage Insert, 10mm Opening 11 526 115
 Stage Insert, 20mm Opening 11 526 116
 Stage Insert, 40mm Opening 11 526 117

For additional stage inserts
 see "Live on Stage" brochure

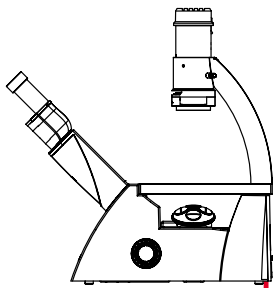
Additional Accessories

Dust cover 11 526 123

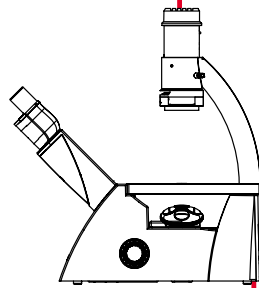
Eyepieces



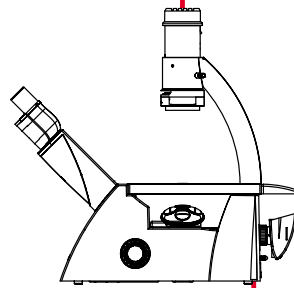
13 613 530 10x/20 Non-focusing
 13 613 532 10x/20 Focusing



Leica DMi1
 with fixed stage,
 with fixed eyepieces,
 with stage insert, 20 mm opening
 11 526 201



Leica DMi1
 with fixed stage,
 without eyepieces,
 with stage insert, 20 mm opening
 11 526 200



Leica DMi1
 with fixed stage,
 without eyepieces,
 with Leica FLEXACAM C1 digital camera
 with stage insert, 20 mm opening
 11 526 225

Objectives

	Hi PLAN 4X/0.10	11 506 226
	N PLAN 5X/0.12 PH0	11 506 303
	Hi PLAN I 10X/0.22 PH1	11 506 271
	Hi PLAN I 20X/0.30 PH1	11 506 272
	Hi PLAN I 40X/0.50 PH1	11 506 369
	Hi PLAN I 40X/0.50 PH2	11 506 273

Further objectives on request

Filters

- Green Filter with handle
11 526 125
- Yellow Filter with handle
11 526 126
- Yellow Filter in mount for slider
11 526 127

Condensers

11 526 118
 Condenser S 40/0.45

11 526 119
 Condenser S 80/0.30

Object guide

11 526 124
 Object guide
 with rack structure

11 521 248
 Object guide DM IL

PH Slider

Condenser S40/0.45

11 526 113
 4 position light ring slider

11 526 111
 2 position light ring slider

Condenser S80/0.30

11 526 112
 4 position light ring slider

11 526 110
 2 position light ring slider

Holding frames



	Universal holding frame M	11 533 041
	Universal holding frame MX	11 520 689
	Holding frame f. Microtiter-Plate	11 520 589
	Holding frame f. Terasaki	11 520 585

For additional holding frames
 see "Live on Stage" brochure

DMi1 Product Features

TRANSMITTED LIGHT ILLUMINATION

- 5W LED illumination with up to 20 years life cycle (40 working hours / week), offers wide power range from 110–240V / 50–60Hz
- Automatic intensity adjustment of illumination to phase contrast and brightfield
- 2 hour auto-off for enhanced safety and extended life cycle
- Illuminated on / off switch
- Constant color temperature, no flash or color changes
- No heat development, ideal environment for specimens

PHASE CONTRAST

- For all magnification levels between 5x and 63x
- For all Leica DMi1 condensers
- No installation or adjustment required

UNIQUE CONDENSER MOVEMENT MECHANISM

- Simple exchange of S40 for S80 condenser within a few steps
- No need for removal of the whole illumination arm

S40 / 0.45 CONDENSER

- High resolution for clear distinction of adjacent cell structures
- Up to 50 mm working distance

S80 / 0.30 CONDENSER

- 80 mm working distance with N.A. 0.30
- Allows the use of large flasks without sacrificing optical quality

DIGITAL HDMI CAMERA VERSION

- 12 megapixel camera
- Camera mounted on the back of the stand provides clear view of specimens
- Integrated C-mount, no trinocular tube needed
- HDMI port to connect directly with HDMI monitor, no need for a PC
- Capture directly to USB Stick or send images via E-Mail
- LAS X software for basic analysis and annotations on connected PC

DESIGN AND STABILITY

- Durable stage extends life of microscope
- Rugged all-metal base and low center of gravity provide a stable platform to maintain cell viability
- Space-saving design
- Plenty of room for access to sample
- Low stage height

COMPATIBILITY

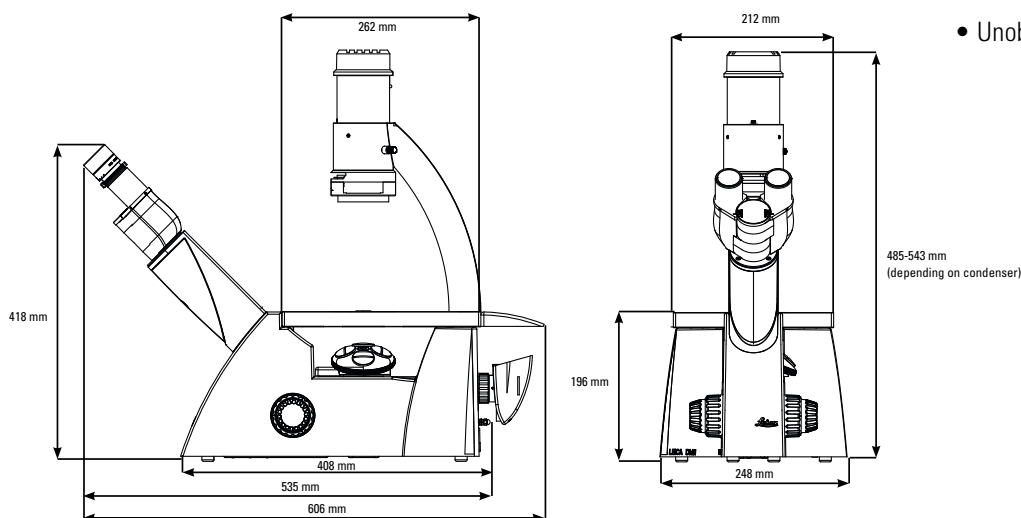
- Compatible with Leica DM IL components: objectives, eyepieces, condensers, object guides, and accessories
- Offers flexibility and cost savings by using existing Leica components across platforms

OUTSTANDING OPTICS

- HC optics, compatible with high-end components
- Field of view: 18 mm or 20 mm

ERGONOMICS

- Simple and intuitive operation
- Ergonomic design suitable for daily use
- All controls are easy to reach
- Unobstructed view of the specimen



SPECIFICATIONS

Optical system	<ul style="list-style-type: none"> • Infinity corrected (HCS)
Power	<ul style="list-style-type: none"> • Input: 100–240V AC, 50/60Hz • Output: 5V DC
Contrast methods	<ul style="list-style-type: none"> • Transmitted light: Brightfield, Phase Contrast
Transmitted light axis	<ul style="list-style-type: none"> • Integrated 5W LED Illumination manual adjustment of <ul style="list-style-type: none"> – Brightness – Aperture diaphragm – Automatic power shutoff (adjustable)
Tube	<ul style="list-style-type: none"> • With fixed eyepieces FOV 18 • For exchangeable eyepieces FOV 20
Focus	<ul style="list-style-type: none"> • Coarse and fine focusing, travel range 9 mm, min. adjustment: 2 μm
Objective nosepiece	<ul style="list-style-type: none"> • Manual, 4 position, for objectives with M25 thread
Stage	<ul style="list-style-type: none"> • Fixed stage: (L x W) 262 mm x 212 mm • Attachable object guide for fixed stage (option)
Condenser	<ul style="list-style-type: none"> • S80/0.30 condenser or • S40/0.45 condenser (interchangeable)
Phase contrast slider	<ul style="list-style-type: none"> • 2 position slider (BF/PH1) for S40 or for S80 condenser • 4 position slider (BF/PH0/PH1/PH2) for S40 or for S80 condenser
Camera	<ul style="list-style-type: none"> • FLEXACAM C1 (12 megapixels)

CONNECT
WITH US!



Leica Microsystems CMS GmbH | Ernst-Leitz-Strasse 17–37 | D-35578 Wetzlar (Germany)
Tel. +49 (0) 6441 29-0 | F +49 (0) 6441 29-2599

www.leica-microsystems.com