

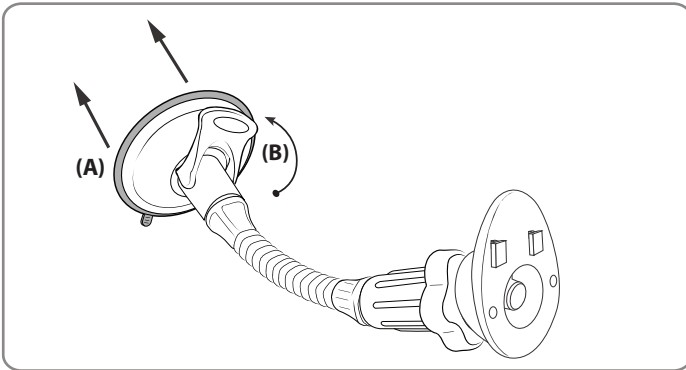


**Package Contents:**

- (1) Round Disc
- (2) 8 inch Gooseneck Vehicle Mount
- (3) Smartphone Holder

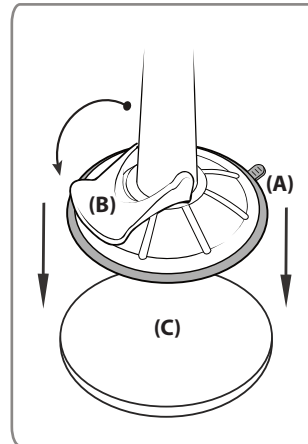
**Windshield Installation**

Step 1. Push the pedestal suction cup (A) firmly to the windshield. Flip the lever (B) down to secure the suction cup.



**Dash Installation**

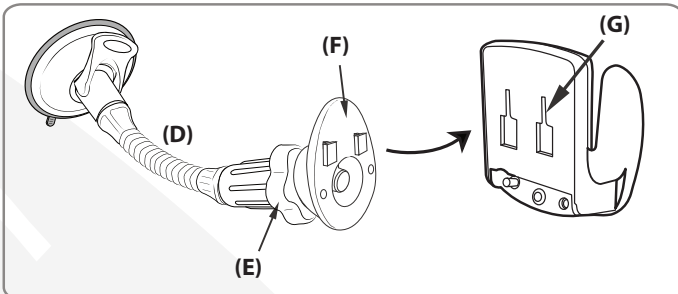
Step 1. Locate a safe flat surface on the dash or console to mount the pedestal. Clean the dash with the alcohol pad provided. Let the dash surface dry before applying the adhesive disc (C).



Step 2. Push the pedestal suction cup (A) firmly to the disc (C). Flip the lever (B) down to secure the suction cup.

**Pedestal Adjustment and Cradle Attachment**

- Step 1. Adjust the angle of the pedestal head by using both hands to bend the gooseneck (D).
- Step 2. Adjust the angle and rotation of the pedestal head by loosening the swivel tightening ring (E).
- Step 3. Attach the device cradle to the pedestal head by inserting the T-tab (F) into the T-slot (G).



**! Safety Precautions**

Do not install Amzer products over an air bag cover or within the air bag deployment zone. Amzer assumes no responsibility of liability for injury or death as a result of car crashes and/or air bag deployment.

Amzer is not responsible for any damages caused to your car, your device, or yourself due to the installation or use of the pedestal mount.



**Customer Care**

- USA 1-866-663-2693
- UK (44)1925-596205
- INDIA +91-11-49367001

[www.amzer.com](http://www.amzer.com)

7580 Harwin Drive,  
Houston, TX 77036, USA  
Designed in USA | Made in China  
Copyright © 2003-16 Amzer.com