

## 867/1 Z TORX® Wedge bits, TX 20 x 25 mm

Bits for TORX® Screws



<b>EAN:</b>	4013288016041	<b>Size:</b>	25x7x7 mm
<b>Part number:</b>	05066460001	<b>Weight:</b>	5 g
<b>Article number:</b>	867/1 Z TORX® Wedge	<b>Country of origin:</b>	CZ
		<b>Customs tariff number:</b>	82079030

- For recessed TORX® screws
- W = Wedge TORX®
- The conical TORX® profile provides a better fit in the screw
- Combined with a great recess depth this produces a pinch effect
- Tough for hard materials
- 1/4" hexagon drive (Wera connecting series 1)

High quality bits for recessed TORX® screws. The conical design of the profile means that a wedging effect is generated that holds the TORX® screw securely on the bit. Tough viscous for universal use. 1/4" hexagon, suitable for holders as per DIN ISO 1173-D 6.3.

### Web link

[https://products.wera.de/en/bits\\_holders\\_adaptors\\_and\\_sets\\_the\\_range\\_of\\_bits\\_bits\\_for\\_torx\\_screws\\_867\\_1\\_z\\_torx\\_wedge.html](https://products.wera.de/en/bits_holders_adaptors_and_sets_the_range_of_bits_bits_for_torx_screws_867_1_z_torx_wedge.html)

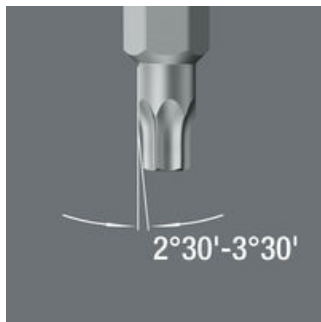
Wera - 867/1 Z TORX® Wedge  
05066460001 - 4013288016041

Wera Werkzeuge GmbH  
Korzter Straße 21-25  
D-42349 Wuppertal  
Tel: +49 (0)2 02 / 40 45-0  
E-Mail: [info@wera.de](mailto:info@wera.de)

Bits for TORX® Screws

TORX® Wedge

Tough-absorbing bits






The conical TORX® profile provides a better fit in the screw. Combined with a great recess depth this produces a pinch effect.



Tough-absorbing Wera bits (Z) prevent any premature breakage of the drive tip.

Further versions in this product family:

			
		mm	inch
05066455001	TX 15	25	1"
<b>05066460001</b>	<b>TX 20</b>	<b>25</b>	<b>1"</b>
05066465001	TX 25	25	1"

Web link

[https://products.wera.de/en/bits\\_holders\\_adaptors\\_and\\_sets\\_the\\_range\\_of\\_bits\\_bits\\_for\\_torx\\_screws\\_867\\_1\\_z\\_torx\\_wedge.html](https://products.wera.de/en/bits_holders_adaptors_and_sets_the_range_of_bits_bits_for_torx_screws_867_1_z_torx_wedge.html)

Wera - 867/1 Z TORX® Wedge  
05066460001 - 4013288016041

Wera Werkzeuge GmbH  
Korzter Straße 21-25  
D-42349 Wuppertal  
Tel: +49 (0)2 02 / 40 45-0  
E-Mail: info@wera.de