

6003 Joker 5 Imperial Set 1 Combination wrench set, Imperial, 5 pieces

6003 Joker Combination wrench - Open end with return angle of just 15°. When things get tight.



EAN:	4013288214188	Size:	300x108x43 mm
Part number:	05020240001	Weight:	604 g
Article number:	6003 Joker 5 Imperial Set 1	Country of origin:	CZ
		Customs tariff number:	82041100

- Especially suitable for tight spaces
- The special open end geometry expands the placement possibilities of the tool
- The low return angle in the open end "takes" the screw every 15°
- Slim ring side with 15° crank
- Suitable for docking with the Wera 2go system

As installation spaces become increasingly confined, it remains necessary that tools enable users to work successfully. Narrow spaces require additional placement points of the tool, to allow screws to be accessed and actuated. Can spanners be modified so that the placement possibilities of the tool increase? The combination of the 7.5° offset open end and the double hexagon geometry doubles the placement points. A repeated 180° turn of the wrench around the longitudinal axis during screwdriving provides four placement possibilities, and bolts or screw heads can be "taken" every 15°. The Joker 6003 with its smart open end geometry significantly expands the range of uses in confined spaces. The Joker 6003 will automatically find the respective placement point after every turn. The slim yet robust ring side is tilted by 15° to the tool axis. The high-quality surface treatment achieves a high and long-lasting corrosion protection. With Take it easy tool finder: colour coding by size. The Joker pouches are suitable for attachment to walls, shelves, workshop trolleys and the Wera 2go system thanks to the hook and loop fastener system on the back.

Web link

https://products.wera.de/en/joker_6003_joker_combination_wrench_open_end_with_return_angle_of_just_15_when_things_get_tight_6003_joker_5_imperial_set_1.html

Wera - 6003 Joker 5 Imperial Set 1
05020240001 - 4013288214188

Wera Werkzeuge GmbH
Korzter Straße 21-25
D-42349 Wuppertal
Tel: +49 (0)2 02 / 40 45-0
E-Mail: info@wera.de

6003 Joker 5 Imperial Set 1 Combination wrench set, Imperial, 5 pieces



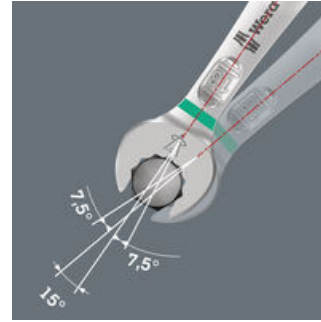
6003 Joker Combination wrench - Open end with return angle of just 15°. When things get tight.

For very tight spaces



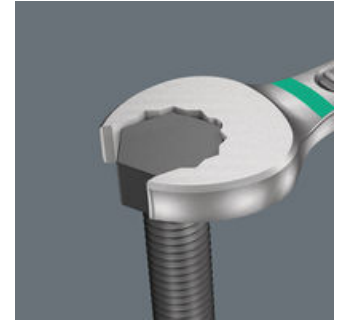
The Joker 6003 ring spanner with its special open end geometry - open end offset by 7.5° and the double hexagon profile - doubles the placement possibilities when repeatedly turning the wrench 180° around the longitudinal axis. Bolts and screw heads can be "accessed" every 15°. The Joker 6003 will automatically find the respective placement point after every turn.

Joker 6003: For return angles of less than 30°



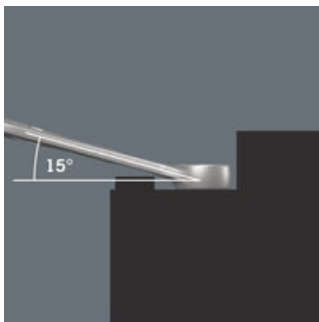
Thanks to the open end side offset by 7.5°, double hexagon geometry and an adjusted application method (placement - screwdriving - turning - replacement - screwdriving - turning, etc), even screwdriving challenges allowing a return angle of less than 30° can be solved.

Double-hex geometry



The double hexagon geometry on the open end and ring sides secures the positive connection with the screw head or bolt and reduces the risk of slipping.

Joker 6003: Tilted ring side



The ring side is tilted at 15° to the tool axis to prevent injury.

"Take it easy" tool finder



Take it easy tool finder system - with profile and size colour-coding for quick and easy tool selection. Colour-coded system for hexagon drive screws (L-Keys, Zyklop bit sockets), external hex drive screws and nuts (Joker wrenches, Zyklop sockets and Zyklop bit sockets with holding function), and TORX® drive screws (L-Keys, Zyklop bit sockets).

Suitable for docking with the Wera 2go system



The Joker pouches are suitable for attachment to walls, shelves, workshop trolleys and the Wera 2go system thanks to the hook and loop fastener system on the back.

Web link

https://products.wera.de/en/joker_6003_joker_combination_wrench_open_end_with_return_angle_of_just_15_when_things_get_tight_6003_joker_5_imperial_set_1.html

Wera - 6003 Joker 5 Imperial Set 1
05020240001 - 4013288214188

Wera Werkzeuge GmbH
Korzter Straße 21-25
D-42349 Wuppertal
Tel: +49 (0)2 02 / 40 45-0
E-Mail: info@wera.de

6003 Joker 5 Imperial Set 1 Combination wrench set, Imperial, 5 pieces



6003 Joker Combination wrench - Open end with return angle of just 15°. When things get tight.

Set contents:

6003 Joker Combination wrench, Imperial, 5/16" x 115 mm



05020211001	1x	5/16" x 115 mm
05020212001	1x	3/8" x 125 mm
05020214001	1x	1/2" x 160 mm
05020215001	1x	9/16" x 167 mm
05020218001	1x	3/4" x 230 mm

Hook and Loop Fastener Strip 120, 120 x 50 mm

1x 120 x 50 mm



Web link

https://products.wera.de/en/joker_6003_joker_combination_wrench_open_end_with_return_angle_of_just_15_when_things_get_tight_6003_joker_5_imperial_set_1.html

Wera - 6003 Joker 5 Imperial Set 1
05020240001 - 4013288214188

Wera Werkzeuge GmbH
Korzter Straße 21-25
D-42349 Wuppertal
Tel: +49 (0)2 02 / 40 45-0
E-Mail: info@wera.de