

- > precision pliers for ultra fine cutting work, e.g. in electronics and fine mechanics
- > precision box-joint
- > low-friction double spring for gentle and even opening
- > the mirror polish and fine film of oil offers effective rust protection – no circuit faults caused by peeling chrome from plated tools
- > cutting edge hardness (at least 60 HRC)
- > ball bearing steel, laser-hardened cutting edges

Style 0

End Cutter, with bevel

Style 2

End Cutter, mini-blade with small bevel

Style 3

Oblique End Cutter, short head, with small bevel, 15° angle

Style 4

Oblique End Cutter, short head, with small bevel, 27° angle

Style 5

Oblique End Cutter, short head, without bevel, for flush cutting, 27° angle

Style 6

Oblique End Cutter, mini-blade with small bevel, 65° angle, made of special tool steel, forged, oil-hardened

Style 7

Oblique End Cutter, mini-blade with small bevel, head with recess, 35° angle, made of special tool steel, forged, oil-hardened

Style 1 / 64 11 115

End Cutter, without bevel



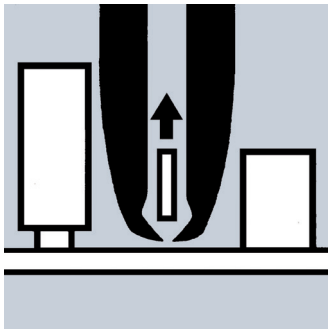
64 02 115



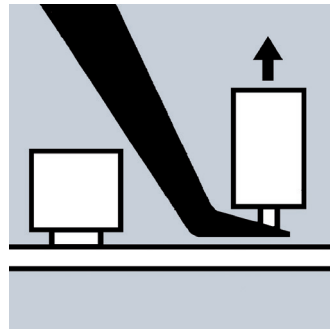
64 12 115



64 22 115



64 22 115



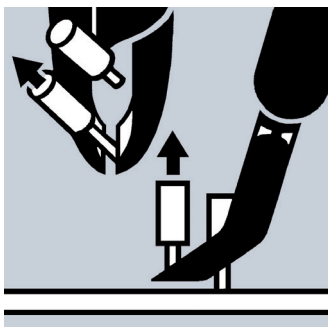
64 62 120



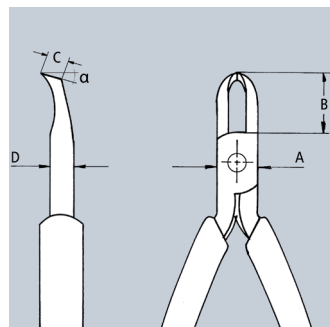
64 32 120



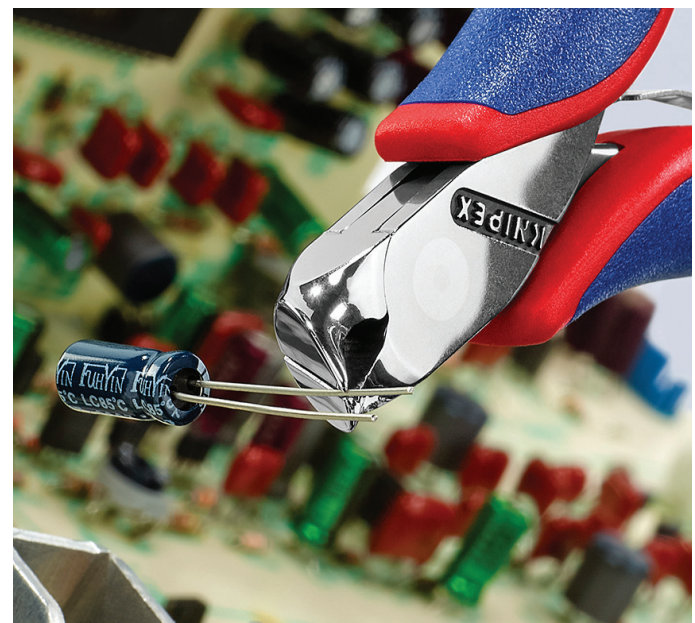
64 72 120

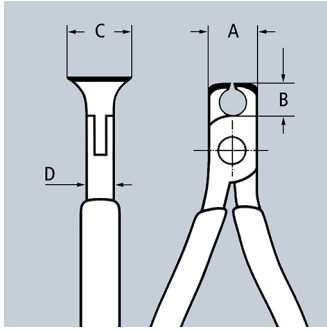


64 72 120

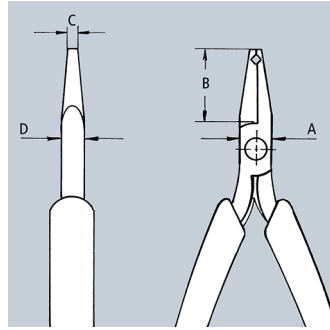


64 72 120

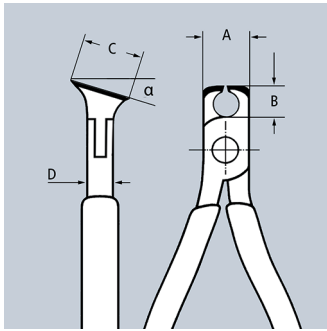




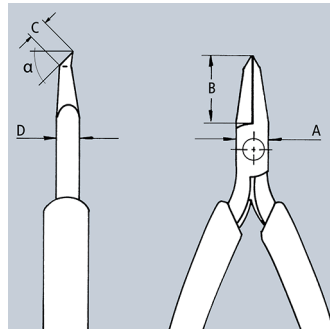
64 01/02/11/12



64 22 115



64 32/42/52



64 62 120



64 42 115
 MM



64 52 115
 MM



64 62 120
 MM

Product Number	Packaging	↔ Inch mm	Head	Handles	Style	Cutting capacities			Dimensions				⚖ lbs
						Ø Inch Ø mm	Ø Inch Ø mm	Ø Inch Ø mm	A Inch mm	B Inch mm	C Inch mm	D Inch mm	
64 01 115		4 1/2 115	mirror polished	plastic coated	0	5/64 2.0	3/64 1.0	1/64 0.5	7/16 11.0	15/64 6.0	5/8 16.0	19/64 7.5	0.17
64 02 115		4 1/2 115	mirror polished	multi-component grips	0	5/64 2.0	3/64 1.0	1/64 0.5	7/16 11.0	15/64 6.0	5/8 16.0	19/64 7.5	0.21
64 11 115		4 1/2 115	mirror polished	plastic coated	1	1/16 1.4	1/32 0.8	-	7/16 11.0	15/64 6.0	5/8 16.0	9/32 7.0	0.16
64 12 115		4 1/2 115	mirror polished	multi-component grips	1	1/16 1.4	1/32 0.8	-	7/16 11.0	15/64 6.0	5/8 16.0	9/32 7.0	0.21
64 22 115		4 1/2 115	mirror polished	multi-component grips	2	1/32 0.8	-	-	25/64 10.0	51/64 20.2	1/8 3.0	15/64 6.0	0.14
64 32 120		4 3/4 120	mirror polished	multi-component grips	3	1/16 1.5	3/64 1.0	1/64 0.5	7/16 11.0	25/64 10.0	43/64 17.0	9/32 7.0	0.20
64 42 115		4 1/2 115	mirror polished	multi-component grips	4	1/16 1.5	3/64 1.0	1/64 0.5	13/32 10.5	25/64 10.0	15/32 12.0	9/32 7.0	0.15
64 52 115		4 1/2 115	mirror polished	multi-component grips	5	3/64 1.3	-	-	13/32 10.5	25/64 10.0	15/32 12.0	9/32 7.0	0.15
64 62 120		4 3/4 120	mirror polished	multi-component grips	6	1/64 0.5	-	-	3/8 9.5	47/64 18.5	13/64 5.0	15/64 6.0	0.15
64 72 120		4 3/4 120	mirror polished	multi-component grips	7	1/16 1.5	-	-	15/32 12.0	13/64 5.1	13/64 5.0	9/32 7.0	0.21