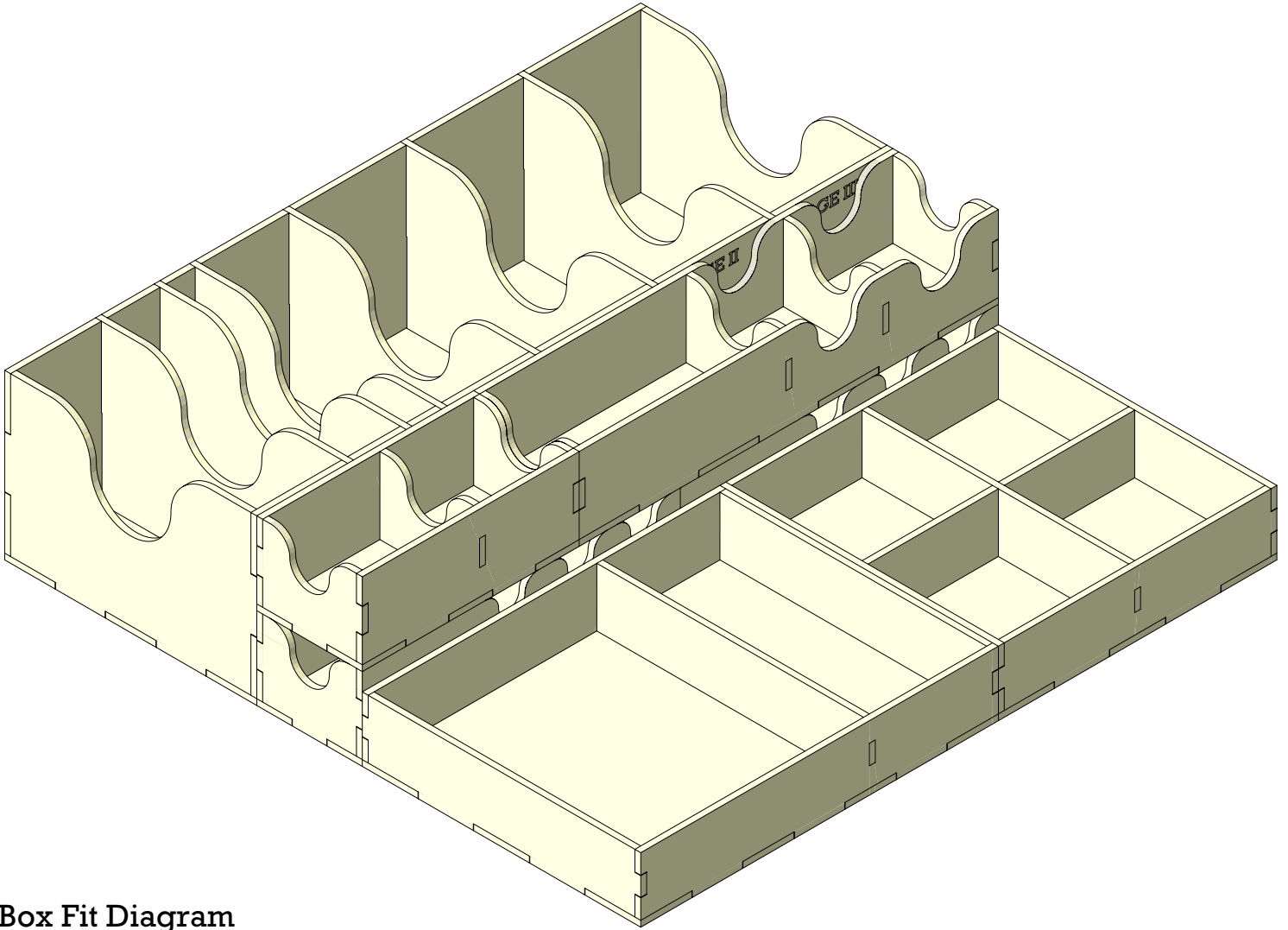
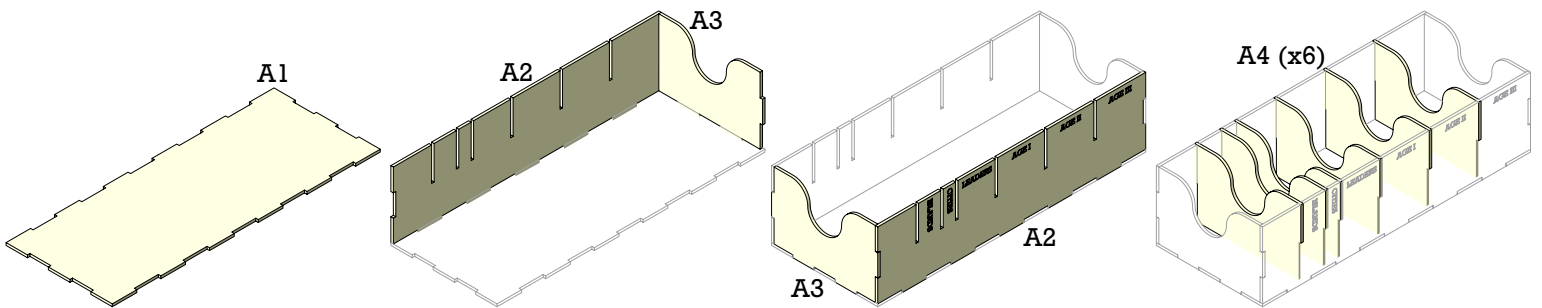


Sample Assembly Instructions

Pieces will snap out of the sheet as needed or use a hobby knife to cut out the tabs holding them in place. Glue is required for most joints. When assembling, we prefer tacky glue, however any white or wood glue works. Test fit all pieces before applying glue, adjust any overly tight joints with sandpaper. Apply masking tape to joints to hold pieces together while the glue sets.

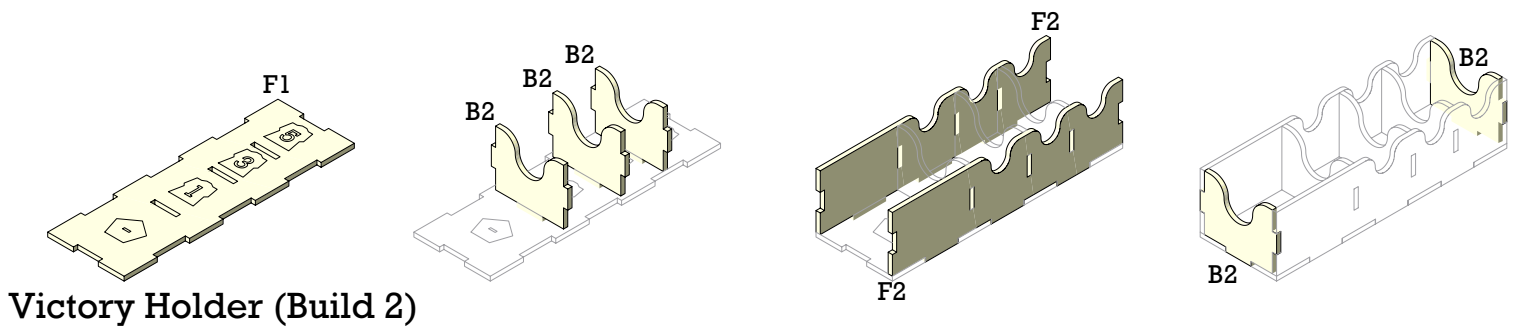
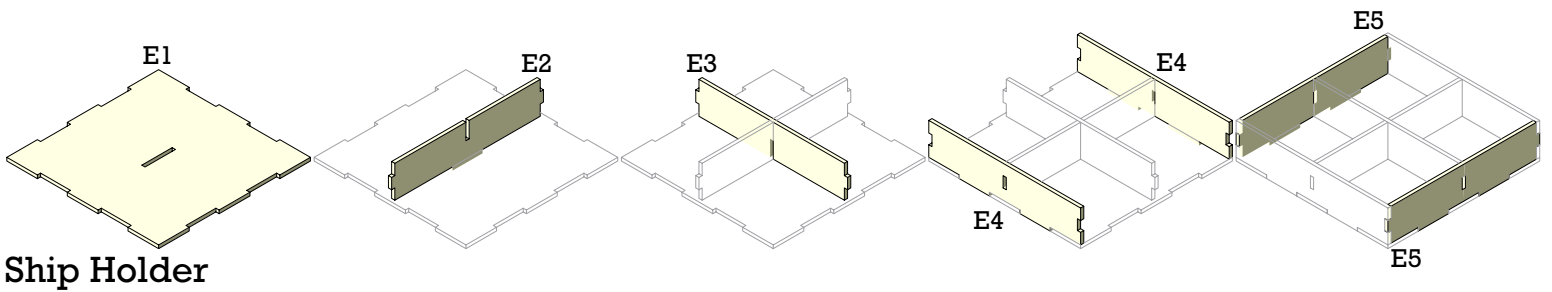
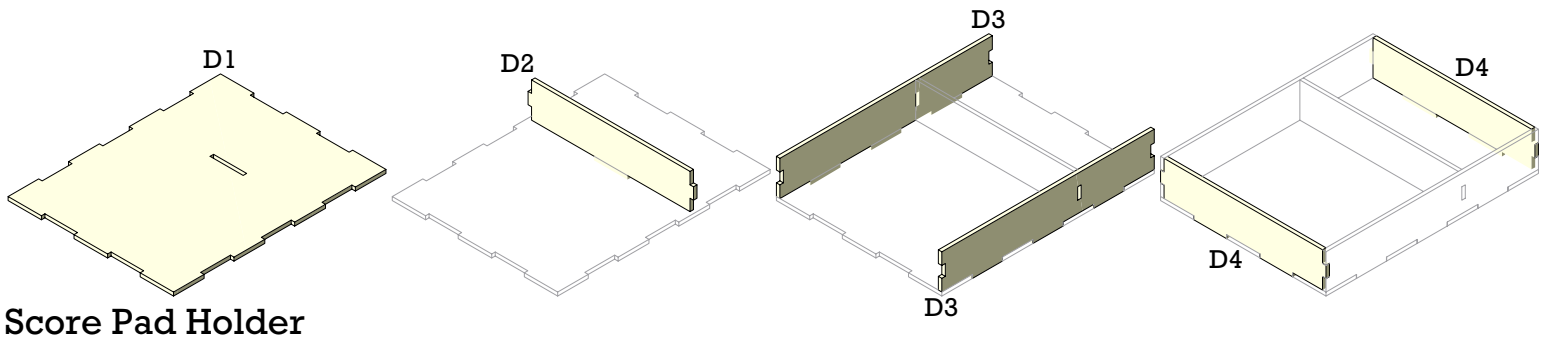
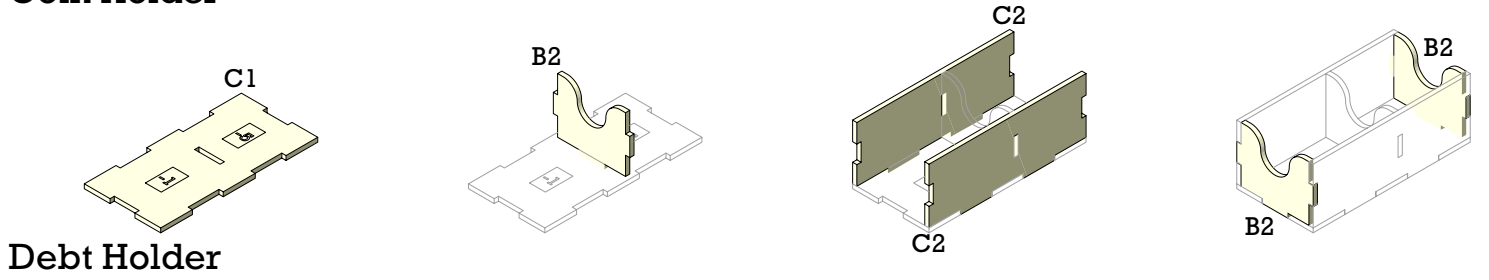
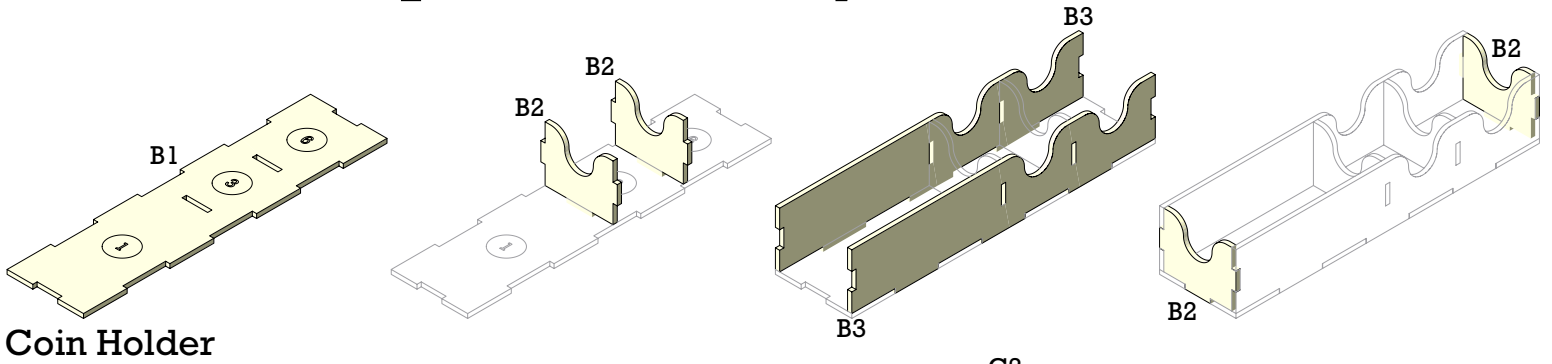


Box Fit Diagram



Card Holder

Sample Assembly Instructions



Sample Assembly Instructions

