

Near® Smart Switches (Touch) Installation Manual

This manual applies to the Near® Smart Touch Switches line (Zigbee + Wi-Fi) and is for reference only.

Warning

1. Make sure to cut off the power supply completely for the wall switch you are installing.
2. Do not install the smart switches with wet hands or when standing on wet surfaces.
3. Do not exceed maximum load (refer to datasheet)
4. When in doubt, please consult a licensed electrician.
5. Do not power on before installation is completed.

Installation

As shown in the wiring diagram below, insert the wires into the corresponding terminal holes and fasten them. After which, remove the panel, screw the switch into the partition box and cover the panel.

Disclaimer

1. The wiring diagrams shown in this manual are for reference only.
2. Terminal positions may vary for different Near® smart switches.
3. Follow the markings on the switch to connect wires.

Installation Steps

1. Disassemble the glass panel from the metal bracket.
(Separate the glass panel from the metal bracket using a flat-head screwdriver to prevent scratches.)
2. Distinguish the front and back parts of the metal bracket.
3. Follow the wiring diagrams 1 or 2 to connect the wires.
4. Screw the switch to secure it to the wall box.
5. Push the glass panel into place to complete installation.

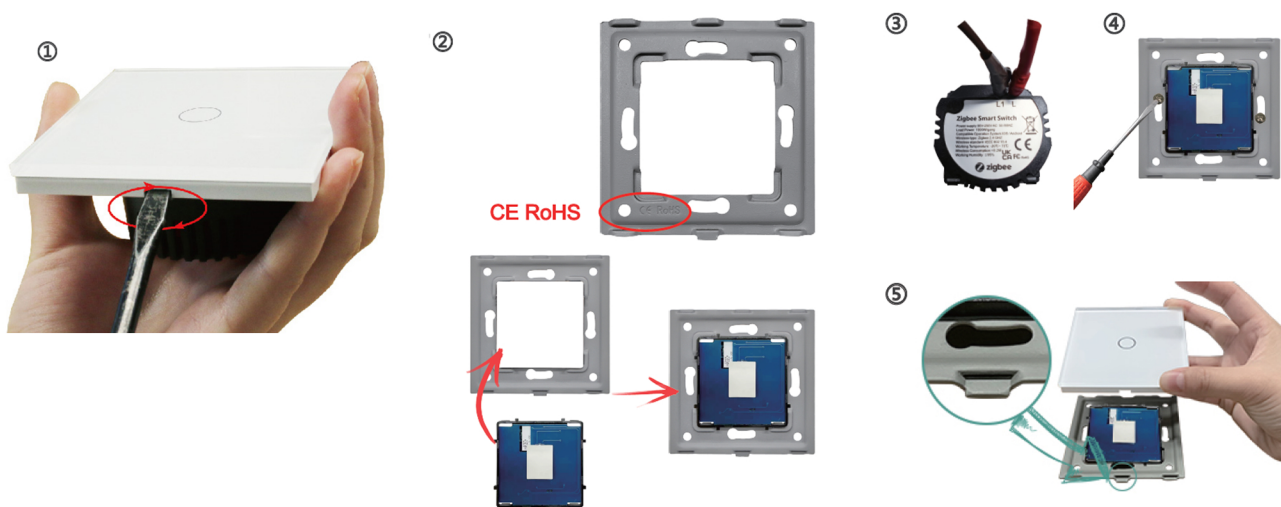


Diagram 1: Switches with Neutral Wire (20A)

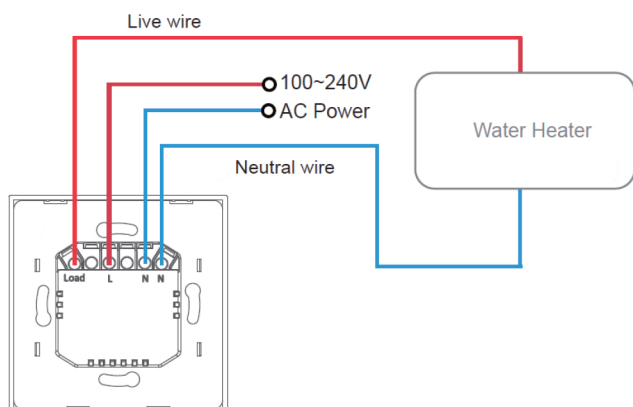
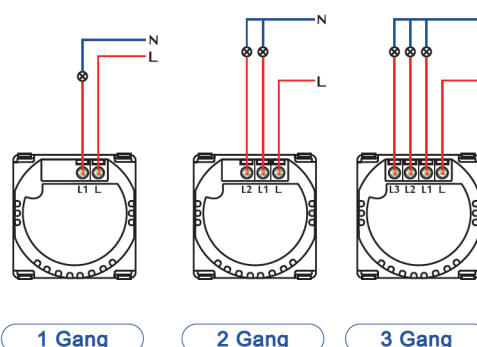


Diagram 2: Switches without Neutral Wire (L Switch)

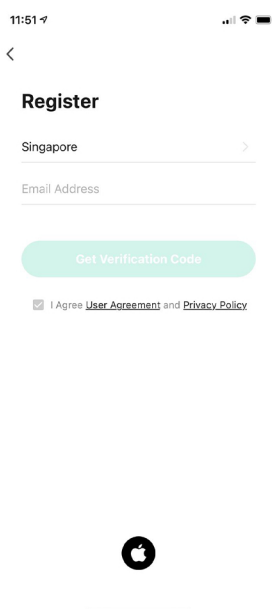
For no neutral switches, if the lamp flashes or glows when the switch is turned off, this indicates that the lamp is incompatible with this switch. The lamp needs to be replaced with one with higher wattage.



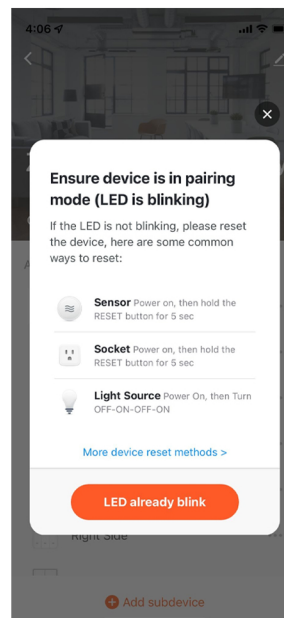
Near Zigbee Smart Touch Switch

Pairing the smart switches with the Near® app

1. Download the Near® app from Apple App store/Google play or scan the QR code to receive download link.
2. Before you start, make sure that the Near® Zigbee hub is successfully configured.
3. Power up the Near® smart switches, long press the first button of the smart switch (or the button if it is a one-gang switch) for 10 seconds until the LED indicator on the smart switch starts blinking quickly to enter pairing mode.
4. Enter Near® app, tap on the Near® zigbee hub and tap on "+ Add subdevice" to add smart switches.
5. To access voice assistant integrations, tap on "Me" in the home page, - "More Services" - select the appropriate voice assistant and follow the on-screen instructions for setup.



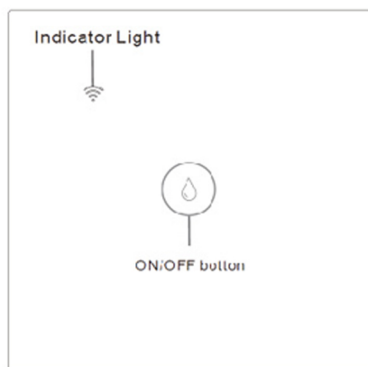
Select "Wireless Gateway (Zigbee)" to pair with the Near Smart Zigbee Hub



Near Wi-Fi Smart Touch Switch (20A Water Heater)

Pairing the smart switches with the Near® app

1. Download the Near® app from Apple App store/Google play or scan the QR code to receive download link.
2. Before you start, make sure that your smartphone is connected to a 2.4GHz Wi-Fi network.
3. Power up the Near® smart switches, long press the button of the smart switch for 10 seconds until indicator light on the smart switch starts blinking quickly to enter pairing mode.
4. Enter Near® app, tap on the "+" icon or "Add devices" button to begin pairing with the Wi-Fi Switch.
5. A pop-up window will appear automatically, select "Go to Add" to pair with the Wi-Fi Switch".
6. To access voice assistant integrations, tap on "Me" in the home page, - "More Services" - select the appropriate voice assistant and follow the on-screen instructions for setup.



Scan QR code to download Near® App

