



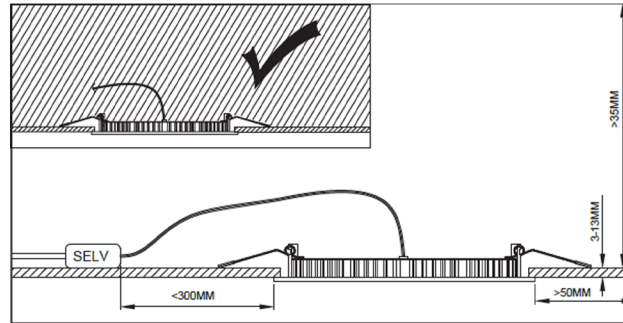
www.near-sg.com



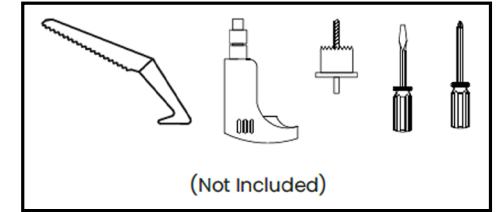
Tips

- Please hire a licensed electrician for your home's electrical works.
- Switch off the lighting point's corresponding MCBs to make sure that power is cut before handling electrical cables.

How it will look like after installation

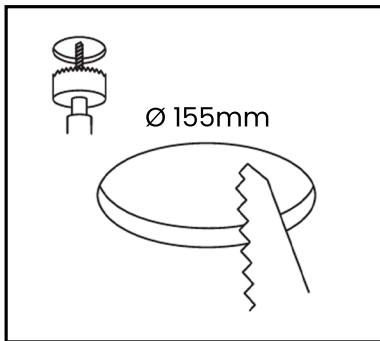


Tools



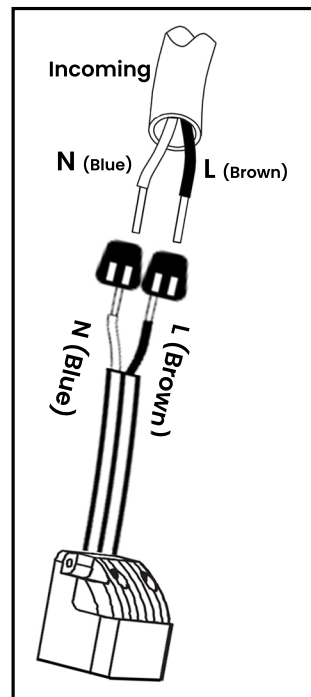
Step 1: Drill and saw a hole

Ø 155mm (Round)
155mm x 155mm (Square)



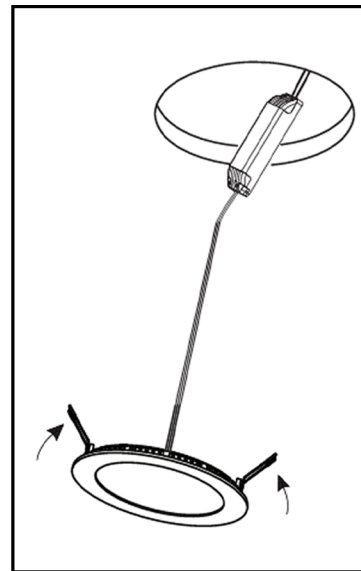
Step 2:

Connect incoming wires to the easy connectors.



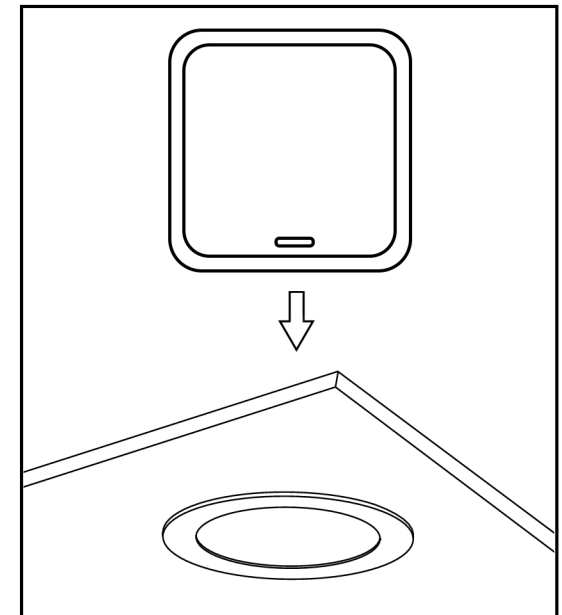
Step 3:

Lift the spring clip and mount the lamp into the false ceiling.



Step 4:

Turn the light switch on and off 5 times to set Near® smart lights to pairing mode.



When Near® smart lights are blinking quickly, it is ready for pairing. Enter the Near® app and follow the on-screen instructions to start the pairing process.