

Near® Smart Candle Bulb

Datasheet

Product code
NSE145W



Electrical

Input voltage: 220 - 240V
Power usage: 5W

Optical

Delivered lumens: 400lm
Colour temperature: CCT 2700K - 6500K
RGB 16 Million Colours
Colour rendering index: $\geq 80Ra$
Beam angle: 200°

Dimming:
App dimmable

Physical

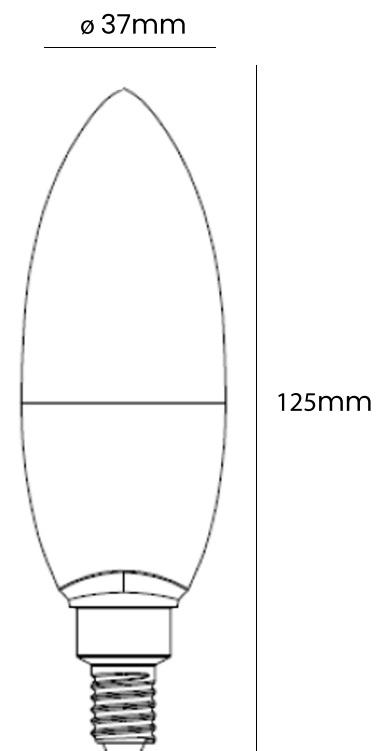
IP rating: IP20
Housing Colour: White
Warranty: 2 Years

Luminaire size: \varnothing 37mm x H125mm
Lifetime: 25,000 hours
Weight: 50g

Bulb type:
C37, E14 Screw Base

Compatibility

Near® Smart Lighting:
Wi-Fi 2.4Ghz 802.11 b/g/n
Google Assistant
Amazon Alexa
SmartThings



Scan QR code
to download
the Near® App