



# THE MODULE SERIES **2** 2024

Announcing Module 2, Near's exceptional smart light source. This adaptable module effortlessly integrates with a variety of frames to effortlessly elevate your home decor. The standout feature of this module is its remarkable capacity to convert GU10 frames into high-quality luminaires with intelligent lighting capabilities. As the first of its kind in Singapore, it rapidly became a sought-after product and is now completely sold out. This triumph has motivated us to surpass expectations and elevate the Module's performance even further.

## Contents

3	Module Upgrades
4	New Frames
5	Frame Features
6	Smart Functionalities
7	Applications
8	Specifications



### **Longer Lifespan**

The newly redesigned heat sink is optimized for efficient heat dissipation and extended lifespan of the LED Chip.

### **Light Efficiency**

Our Module now features an upgraded secondary optic utilizing a TIR lens. This enhancement significantly reduces light wastage and greatly improves the efficiency of the lighting output. As a result, you can expect a notably brighter and more focused lighting experience.

### **Brighter Lighting**

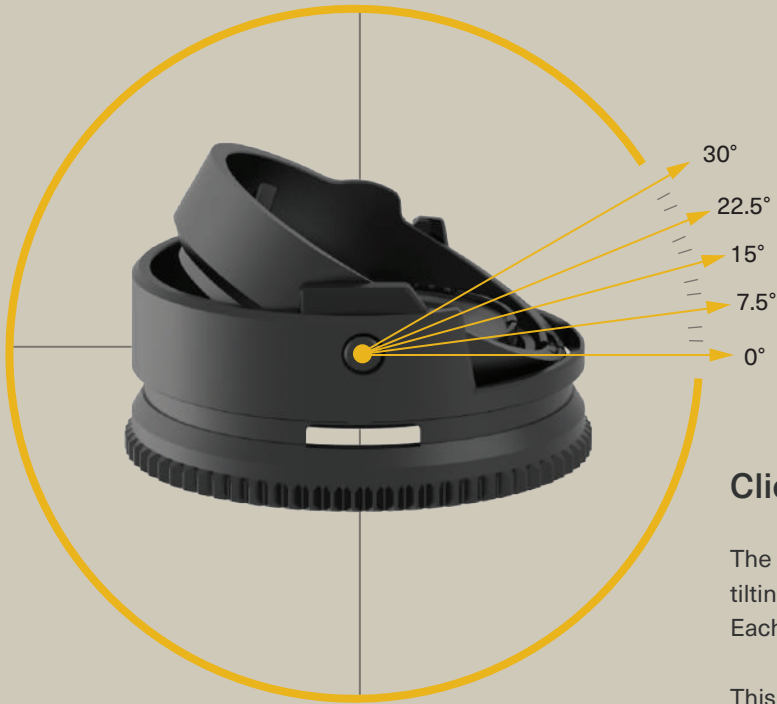
Experience a significant enhancement in brightness and color accuracy with our upgraded LED chip from Bridgelux.

# THE ARC



# THE EDGE





### Clicky Tilting Mechanism

The Arc and Edge module frames are equipped with a tilting mechanism that offers 5 fixed steps from 0° to 30°. Each tilt produces a satisfying clicking sound.

This convenient feature allows for precise adjustment of the lights' angle, ensuring a consistent distribution of lighting across a row of modules.

### Locking Mechanism

The module is equipped with a locking mechanism to securely hold it in the frame, preventing any accidental detachment during maintenance.

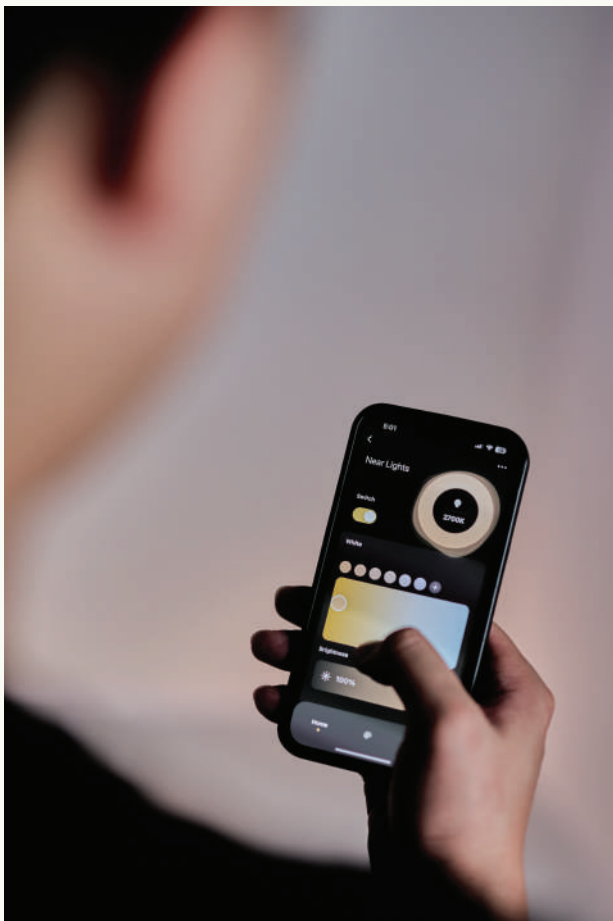
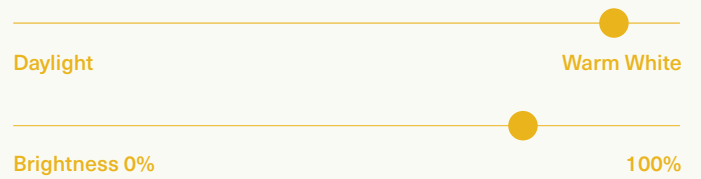
### Easy Change Feature

The module is easily accessible. Simply pull the baffle down without the need to remove the entire light fitting from the false ceiling. This added convenience reduces the risk of causing cracks in your plasterboard.



## Warm to Daylight

Elevate your surroundings with the module that effortlessly adjusts your lighting from daylight to warm white, perfect for any moment. Whether it's time to focus or unwind, this module offers the ideal color temperature for your needs.



## Lighting control at your fingertips

Experience effortless control with the Near app. Our favourite feature is the smart scene function, which lets you set and save custom lighting moods. With widgets, you can activate them with a single tap on your smartphone, without even opening the app.



## Design Versatility

The Module is the ultimate foundation for your ideal lighting plan. Its versatile ability to deliver both functional and ambient lighting ensures a well-lit and inviting space.



### Specifications

Power	12W
Beam Angle	36°
Lumens	1100lm
Colour Temperature	2700K - 6500K
Warranty	5 Year
Protocol	Zigbee 3.0
Smart Driver	Near NLD-ZB-MOD-12WCCT

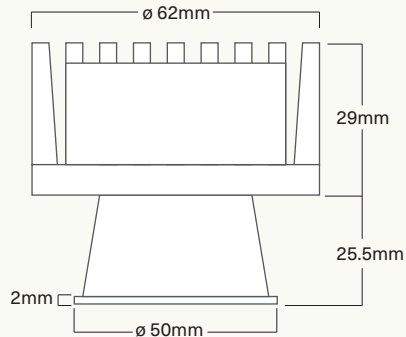
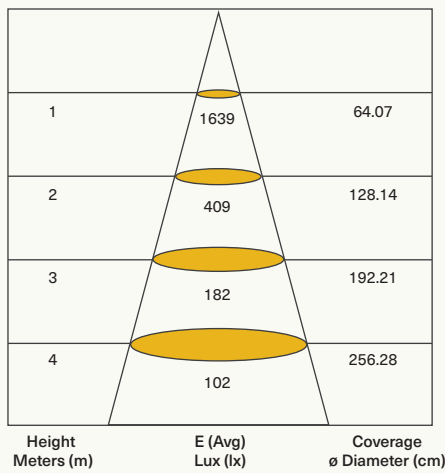


Diagram 1.

For the complete datasheet, head to our official website [near.sg](http://near.sg).



The Arc

Dimensions: ø 83 x 89 (mm)

Cut-out: ø 75mm



The Edge

Dimensions: 85 x 85 x 93 (mm)

Cut-out: 78 x 78 (mm)