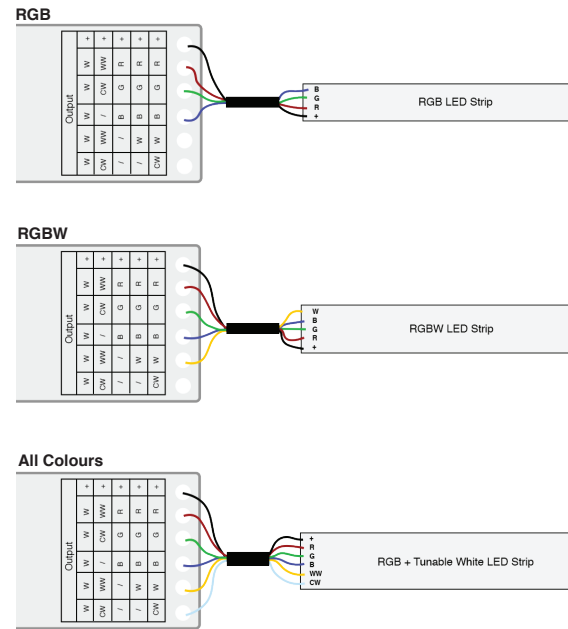
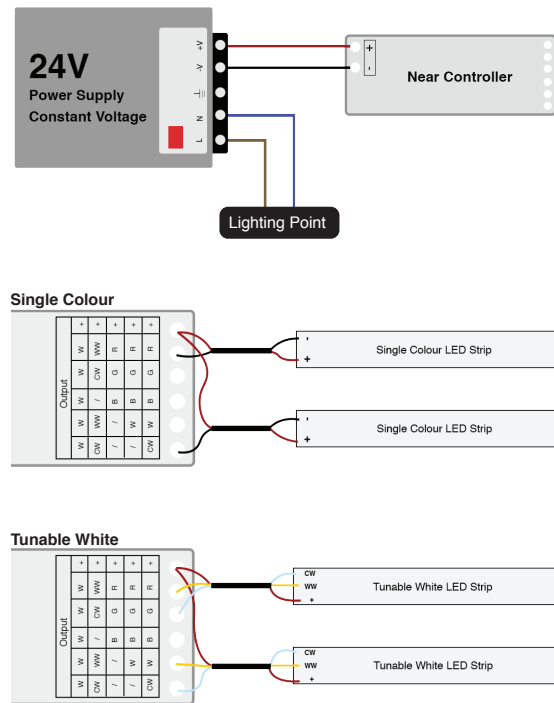


near

Near Zigbee + RF Controller
for LED Lightstrips

WIRING DIAGRAM

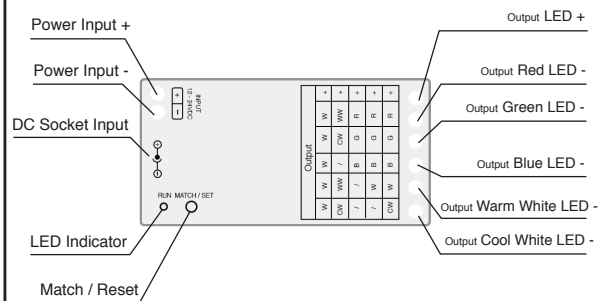


Note:
Power input options include constant voltage power supply or power adaptor.



near.sg | getnear.my
Near is a registered trademark of Albert Hoo Electrical Pte Ltd (Singapore)

Mechanical Structure of the Near Zigbee Controller



Preparing the Near Zigbee controller for pairing.

Note: Please ensure that you have the Near Zigbee Hub installed and your smartphone is connected to the 2.4GHz Wi-Fi network.

Step 1 - Press the button for 2 seconds to reset the Zigbee Network setting within the controller - RUN LED indicator should turn light blue.

Step 2 - Resetting the Near Zigbee controller

Option a: Long press the button for 5 seconds
Option b: Double press the button consecutively
Option c: Power on and off main switch for 5 times consecutively.

When the RUN LED indicator begins flashing purple rapidly and the LED strip flashes 10 times, the controller has successfully cleared previous network connections and is ready for pairing.

Step 3 - Configuring the controller to correspond with LED Lightstrip type for pairing. (i.e. Single Colour / Tunable White / RGB / All Colours)

Long press the button for 8 to 16 seconds while observing the RUN LED indicator and release when the desired indicator light appears.

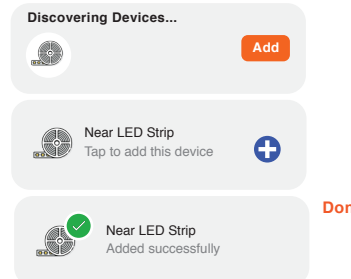
If you are using:	Release when the indicator light turns:
Single Colour LED Strip	White
Tunable White LED Strip	Yellow
RGB LED Strip	Red
RGBW LED Strip	Green
ALL Colours LED Strip	Blue

Table 1.0

Upon releasing the button, the LED indicator will begin flashing purple, this means that the Near Zigbee controller is ready for pairing with the Near app (see next section). After pairing successfully with the Near app, the LED indicator will exit purple flashing mode and change to the LED strip's corresponding LED indicator colour as seen in table 1.0 above.

Pairing with the Near app.

- Add Devices** In the Near app, tap on "Add Device" and select the nearest Zigbee gateway if you have more than one.
- Wait for the LED Strip to appear** The Zigbee Hub will search for nearby Zigbee devices that are in pairing mode. Add the strip and you're all set!



Pairing with the Near RF remote.

Make sure that you have the RF remote at the ready. Press the button on the Zigbee controller once and press the zone button on the RF remote immediately. When the LED indicator on the Zigbee controller flashes rapidly a few times, the pairing with the corresponding zone on the RF remote is successful.

To Delete, long press the button on the controller for 20 seconds & all paired RF remotes will be deleted.

Specifications.

Input Voltage: 12 - 24VDC	Input Signal: Near app + RF 2.4GHz
Input Current: 15.5A	Control Distance: 30m (Barrier-free)
Output Voltage: 5 x (12-24)VDC	Dimming Gray Scale: 4096 (2 ¹²) levels
Output Current: 5CH, 3A/CH	Dimming Range: 0% to 100%
Output Power: 5 x (36-72)W	Dimming Curve: Logarithmic
Output Type: Constant Voltage	PWM Frequency: 1000Hz (Default)

Protocol: Zigbee
Dimensions: L 114 x W 38 x H20 (mm)

