

# SHOWERS



**Deva**<sup>TM</sup> by METHVEN

## Shower Accessories

### Shower fixing bracket

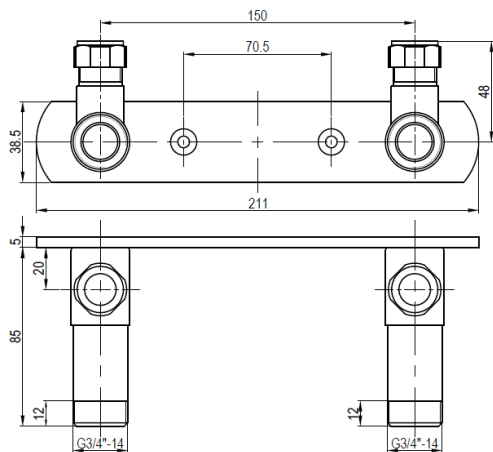
Product Code: SPE16

Finish: Chrome

#### Features

Construction: Brass  
Inlet Connections: 15mm Compression

- Enables rigid fixing of bar shower
- Shrouds Protect and Conceal Tile/Wall Edge



\*Please refer to website for full warranty details.

**1 YEAR  
GUARANTEE**

\*TERMS APPLY

[www.deva-uk.com](http://www.deva-uk.com) · 0800 195 1602 · [sales@uk.methven.com](mailto:sales@uk.methven.com)