

# SHOWERS



## Shower Accessories

**Deva**<sup>TM</sup> by METHVEN

Shower rail

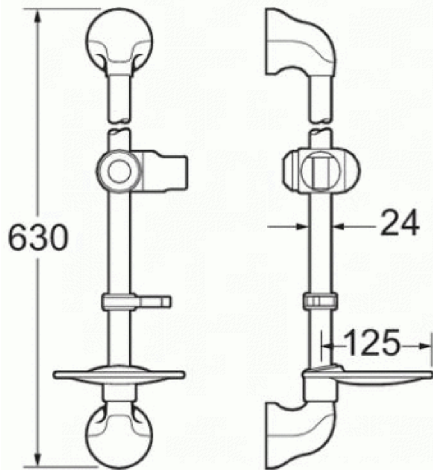
Product Code: SPE12

Finish: Chrome

### Features

**Construction:** Brass & ABS

**Inlet Connections:** N/A



\*Please refer to website for full warranty details.



[www.deva-uk.com](http://www.deva-uk.com) · 0800 195 1602 · [sales@uk.methven.com](mailto:sales@uk.methven.com)