

# SHOWERS



## Shower Accessories

**Deva**<sup>TM</sup> by METHVEN

### Riser Rail

Product Code: RR02CP

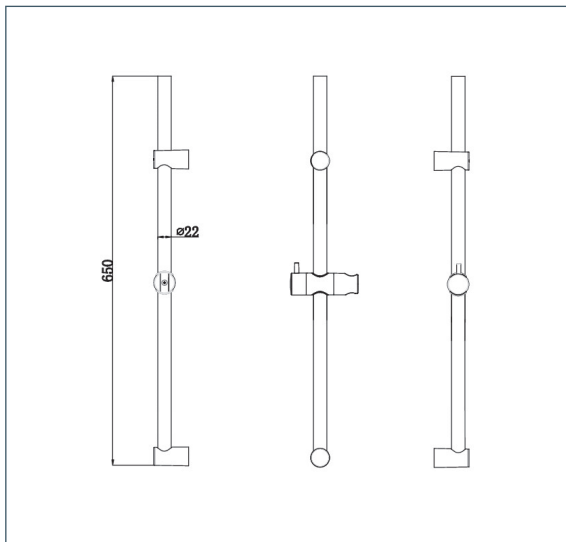
Finish: Chrome

#### Features

Construction: Stainless steel

Inlet Connections: N/A

- 650mm riser rail features adjustable bracket - ideal for retrofit
- Adjustable handset slider with lever handle



\*Please refer to website for full warranty details.



[www.deva-uk.com](http://www.deva-uk.com) · 0800 195 1602 · [sales@uk.methven.com](mailto:sales@uk.methven.com)