

Warranty Information

Proof of purchase will be required.

The guarantee does not cover faults or damage caused by incorrect installation and/or maintenance, ordinary wear and tear, water composition, etc.

*Please see www.deva-uk.com for full terms and conditions of warranty

Cleaning

Your product has a high-quality finish and should be treated with care to preserve the visible surfaces. Never use abrasives or abrasive cleaning agents to clean this product. Clean regularly with contamination free warm water and a damp soft cloth. Do not use products containing chlorine bleach or hydrochloric acid as these can damage the product.

We have a policy of continuous improvement and reserve the right to change specifications without notice.

METHVEN UK LIMITED

METHVEN EXPERIENCE CENTRE
3/3A STONE CROSS COURT

YEW TREE WAY
GOLBORNE
WARRINGTON
WA3 3JD
UNITED KINGDOM

INST-NCT001
02.10.2020

TEL: 0800 195 1602
FAX: 0844 406 8690
EMAIL: sales@uk.methven.com
www.deva-uk.com
www.methven.com

Non Concussive Pre-Set Basin Taps

NCT001

Installation & Maintenance Guide

Technical Specification:

Supply:

Suitable for All Pressure Systems

Working Pressure:

0.2 - 3.0 bar

Operating Temperature:

Hot: Max 43°C

Cold: Min 5°C

Inlet Connections:

1/2" BSP

Cartridge/Valve Type:

Manual

Features:

- Sold in pairs
- Self closing basin taps
- Pre-set automatic shut off after approximately 10 seconds
- Recommended for use with a blending valve.
- Easy to use by all the family
- Product is supplied with Metal backnuts
- The specialist design of this product reduces vandalism and risk from flooding
- Compatible with Waterblade



Contents

Congratulations on your purchase of your new Non Concussive Pre-Set Basin Taps. Our fitting instructions have been created with you in mind to provide you with all the information you require and, if you need any further help, please don't hesitate to contact our customer care team on 0800 195 1602.

General Safety Information	3
Line Drawing	3
Product Breakdown	4
Product Breakdown	5
Installation Requirements	6
Maintenance	7
Warranty Information	8
Cleaning	8

- Do not over tighten as this may damage the nut and/or the unit.
- Before fully tightening, ensure the tap is still positioned correctly.
- Once secured connect the supply pipe and tighten to create a good seal.
- Repeat process for the other basin tap
- Turn on supply and check for leaks

Operating

To turn on the basin tap push down on the control knob until it comes to a stop and then release, water will flow for approximately 10 seconds.

If more water is required push down again.

Servicing Instructions

If the control knob cannot be depressed fully or does not return to its initial position within 10 seconds, or the water does not flow in a steady stream the basin tap may require servicing.

Turn off the water supply

Remove the press handle (part 1) turning anti-clockwise by hand.

Remove the Cartridge housing unscrew the brass plate carefully ensuring the spring does not escape and cause injury.

Remove the cartridge from the housing and remove any debris that may have collected within the body.

If necessary replace with a new cartridge.

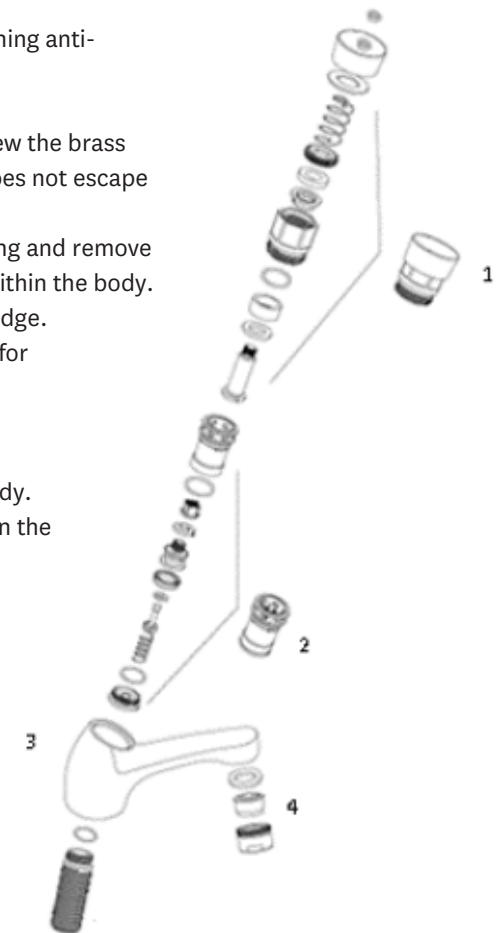
Check the 'O' rings and return spring for any sign of damage and replace if necessary.

Re-assemble the cartridge into the housing and place back inside the body.

Re-assemble the other components in the reverse order and turn on the water supply.

Check the Basin Taps for correct operation.

Check the Basin Taps for correct operation.



Water Saving

If you require a flow regulator/non return valve to be fitted to your product, the item comes in the box in separate packaging.

This is an in-tail regulator and must be fitted before installation.

The regulator provided with this product is limited to 7L/min

Please insert the Flow Regulator/Non Return Valve into the tap tail completely, to the stop position within.

Insert with the black rubber ring facing downwards.



Installation Requirements

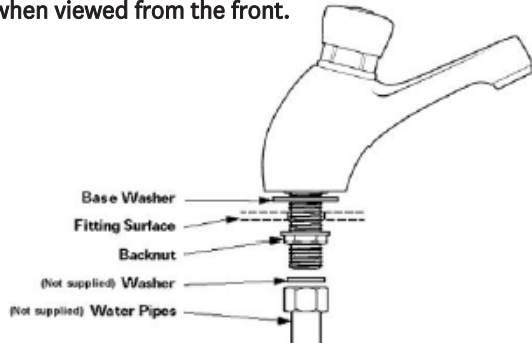
Before commencing installation of the new product, ensure that the system has been flushed to remove any debris, which could cause damage to the valves and invalidate the warranty.

Always turn off or isolate the water supply before commencing the work.

In order to prevent scalding, the hot water supply should be connected to the hot tap via a thermostatic mixing valve.

It is recommended that a service valve is installed in the cold water supply pipe and the thermostatic mixing valve should have connections containing an isolating valve in order to isolate the water supply should servicing be required in the future.

The hot supply must be connected to the left hand side and the cold to the right hand side of the basin when viewed from the front.



- Place the base washer over the tail
- Place the tail through the hole in the basin unit and position, so as to direct the flow correctly.
- From the underside, screw on the brass backnut and tighten to the underside of the unit.

Please keep these instructions for future reference and request of replacement parts

General Safety Information

Please read all of the instructions before installation.

Methven recommends this product is installed by a competent person in compliance with all relevant regional regulations.

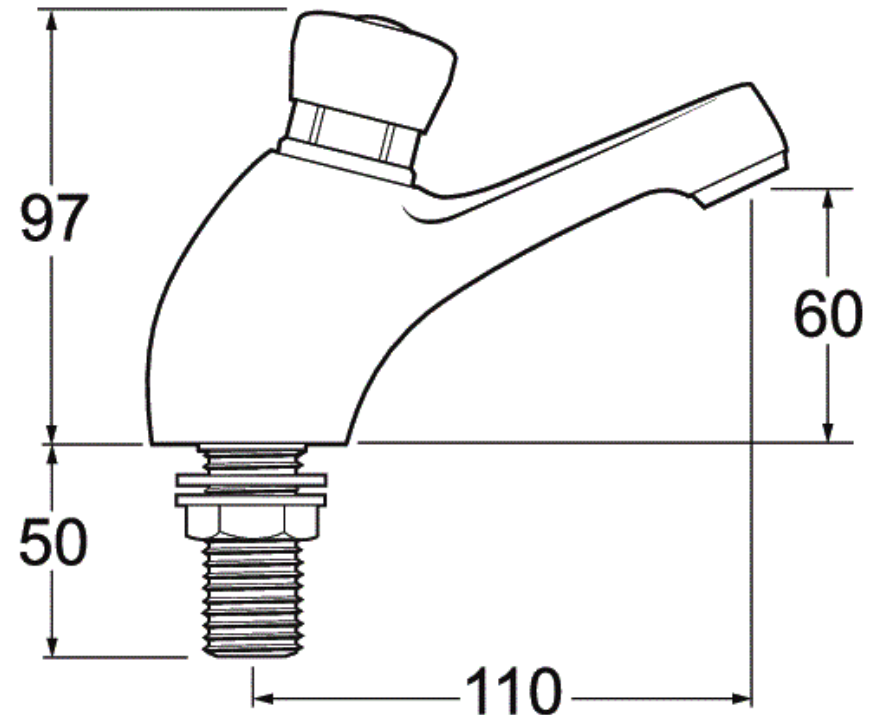
Remove all packaging and check the components for damage before starting installation.

This product **must** not be modified in any way as this will invalidate the guarantee.

It is the responsibility of the installer to ensure a waterproof seal is achieved, after installation all connections must be checked for leaks.

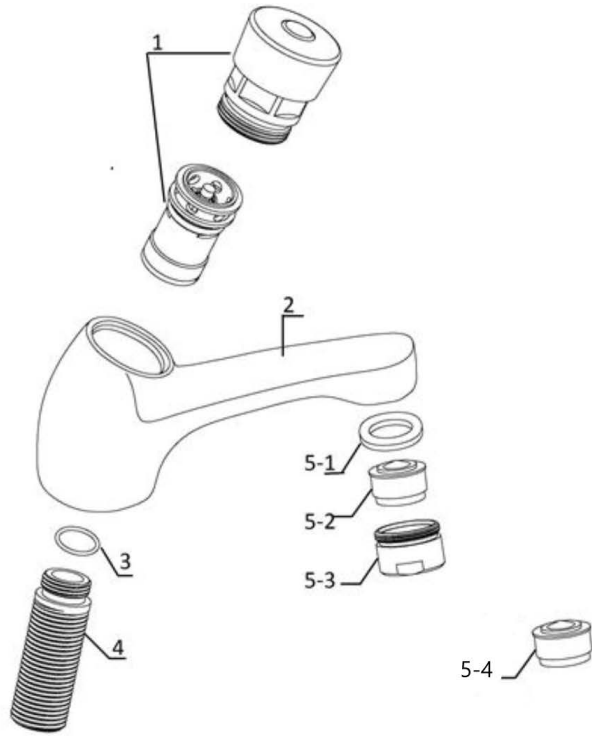
All outlets used primarily for personal hygiene shall deliver water at a safe temperature as per regional regulations.

Line Drawing



Product Breakdown

Check all components are present prior to starting installation.



1	Handle & Cartridge
2	Body
3	O-Ring
4	Threaded Connector
5-1	Rubber Washer
5-2	Aerator
5-3	Ferrule
5-4	6l/min Flow Regulator