



Milan Range

Milan bath taps

Product Code: MILAN 102

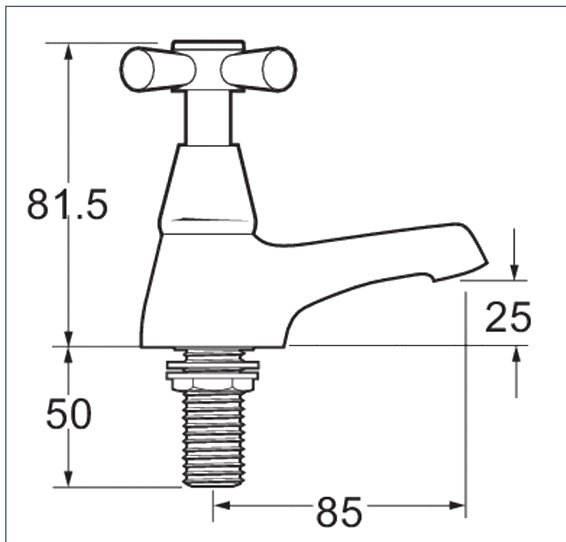
Finish: Chrome

Features

| | |
|-----------------------|-----------------------------------|
| Construction: | Brass |
| Valve/Cartridge type: | Standard |
| Supply: | Suitable for all plumbing systems |
| Working Pressures: | 0.1 - 5.0 bar |
| Inlet connections: | 3/4" BSP |
| Flexi or Copper: | Plastic Backnuts |



*Please refer to website for full warranty details.



Flow (Bar - l/min, open outlet)

Spout

| Flow 0.1 | Flow 0.3 | Flow 0.5 | Flow 1.0 | Flow 2.0 | Flow 3.0 | Flow 4.0 | Flow 5.0 |
|----------|----------|----------|----------|----------|----------|----------|----------|
| 7.7 | 13.5 | 17 | 18 | 20 | 25 | 30 | 34 |



2007727



2007302

12 YEAR GUARANTEE
ON ALL DEVA CHROME TAPS
*TERMS APPLY