

Warranty Information

Proof of purchase will be required.

The guarantee does not cover faults or damage caused by incorrect installation and/or maintenance, ordinary wear and tear, water composition, etc.

*Please see www.deva.uk.com for full terms and conditions of warranty

Cleaning

Your product has a high-quality finish and should be treated with care to preserve the visible surfaces. Never use abrasives or abrasive cleaning agents to clean this product clean regularly with contamination free warm water and a damp soft cloth. Do not use products containing chlorine bleach or hydrochloric acid as these can damage the product.

We have a policy of continuous improvement and reserve the right to change specifications without notice.

METHVEN UK LIMITED METHVEN
EXPERIENCE CENTRE 3/3A
STONE CROSS COURT YEW TREE
WAY
GOLBORNE
WARRINGTON
WA3 3JD
UNITED KINGDOM
INST-HEN106-V1

TEL: 0800 195 1602
FAX: 0844 406 8690
EMAIL: sales@uk.methven.com
www.deva-uk.com
www.methven.com

Henley Bath Shower Mixer

HEN106 Installation Guide

Technical Specification

Operating Pressure

Min: 0.5 Bar

Max: 5.0 Bar

Operating Temperature

Hot: 65°C

Cold: 5°C

Inlet Connections

3/4" BSP



Features:

- Suitable for a 2 hole bath
- Deck mounted
- Complete with 1.5m hose
- Includes rub clean single spray shower head and wall bracket
- 1/4 turn ceramic disc
- valves



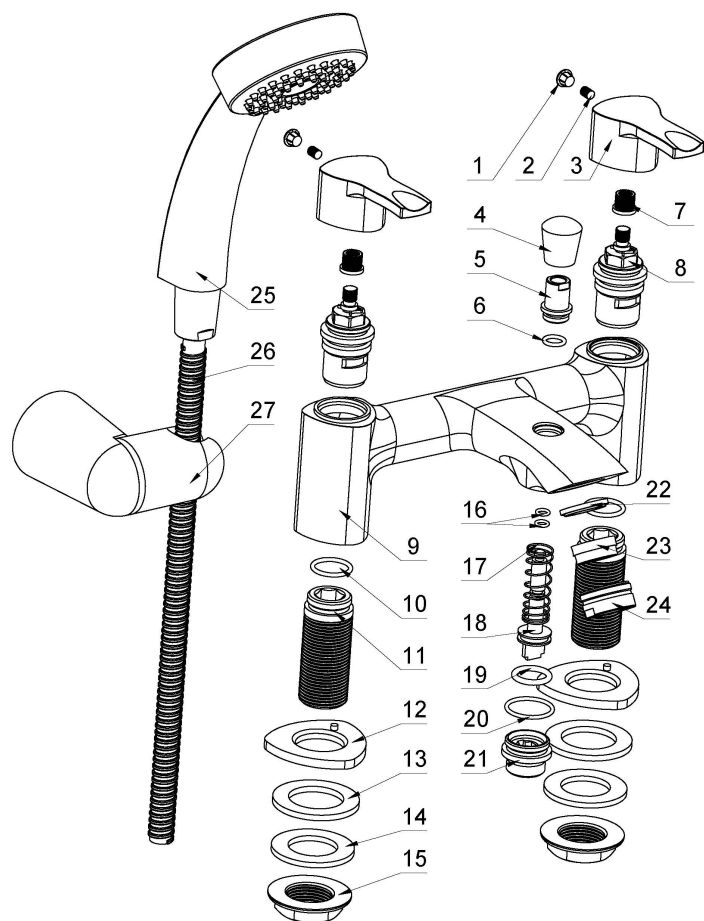
Please read all of the instructions before installation.

General

Methven recommends this product is installed by a competent person in compliance with all relevant regional regulations.

After installation all connections must be checked for leaks. All outlets used primarily for personal hygiene shall deliver water at a safe temperature as per regional regulations.

It is the responsibility of the installer to ensure a waterproof seal is achieved.



Installation Instructions

- 1) Remove the back nuts and back nut washer from the threaded tails.
- 2) Push the mixer tails through the holes in the bath, ensuring that the base rings and base ring washers are correctly positioned, fully covering the mounting holes.
- 3) Place the back nut washer and back nuts back onto the tails, under the bath, and screw up until the tap is secured in position (do not overtighten). Please note additional sealant can be used if required.
- 4) Connect the water supply pipes to the tails and tighten, an adequate sealing method should be used to create a watertight seal.
- 5) Identify a suitable location for the wall bracket, so that the hose will not be under tension when fitted. Attach to the wall using either the plugs and screws supplied or other suitable fittings for the specific installation.
- 6) Fit a hose washer into each end of the hose, connect the handset to the cone shaped end and the other end to the hose outlet on the mixer.
- 7) Reinstate the water supply and test for leaks.

No.	Description	No.	Description
1	Indicator	16	O Ring
2	Grub Screw	17	Spring
3	Handle	18	Valve Stem
4	Diverter Handle	19	O Ring
5	Diverter Insert	20	O Ring
6	Diverter O Ring	21	Hose Connector
7	Handle Insert	22	Aerator Washer
8	Cartridge	23	Aerator
9	Main Body	24	Aerator Housing
10	Threaded Tail O Ring	25	Handset
11	3/4" Inlet threaded tails	26	Shower Hose
12	Base Plate	27	Wall Bracket
13	Base Plate Washer		
14	Rubber Washer		
15	Backnut		