



# Flow Regulator - 6 L/

Flow regulator basin and sink taps- 6 lpm- Branded Packaging

Product Code:FR101-6

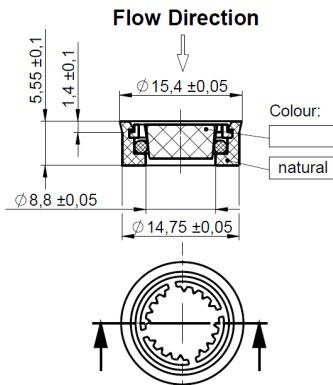
Finish: Plastic

## Features

**Construction:** Plastic

**Inlet Connections:** N/A

- Fits Basin And Sink Taps Showing The Symbol To Reduce Water Consumption
- Regulates Flow Constantly To The L/Min Shown



\*Please refer to website for full warranty details.



2007800

