



Elan

Elan bath taps

Product Code: ELAN102

Finish: Chrome

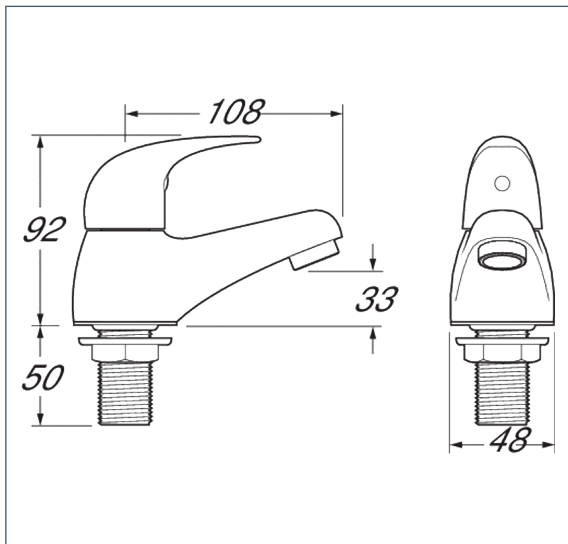
Features

Construction:	Brass
Valve/Cartridge type:	Ceramic Disc
Supply:	Suitable for all plumbing systems
Working Pressures:	0.3 - 5.0 bar
Inlet connections:	3/4" BSP
Flexi or Copper:	Plastic Backnuts

- Optimised for bath filling
- 1/4 turn ceramic handles ensure a smooth operation



*Please refer to website for full warranty details.



Flow (Bar - l/min, open outlet)

Spout

Flow 0.1	Flow 0.3	Flow 0.5	Flow 1.0	Flow 2.0	Flow 3.0	Flow 4.0	Flow 5.0
8.6	14.6	18.6	26.6	38.2	48.6		



1505007

