



Lever

Lever action bib tap

Product Code: DFV095

Finish: Chrome

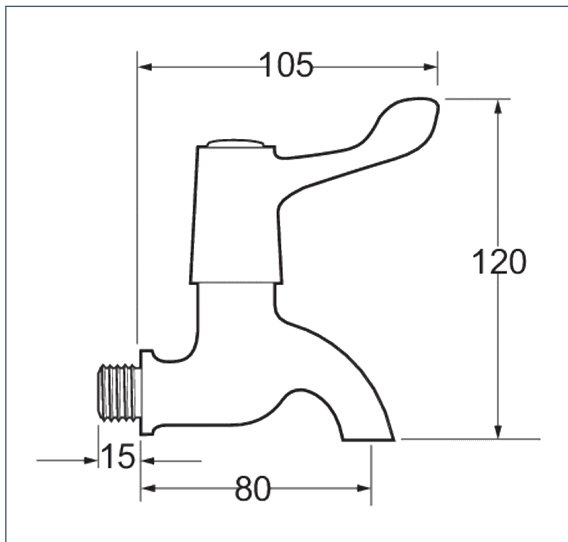
Features

- Construction: Brass
- Valve/Cartridge type: Ceramic Disc
- Supply: Suitable for all plumbing systems
- Working Pressures: 0.1 - 2.0 bar
- Inlet connections: 1/2" BSP
- Flexi or Copper: Plastic Backnuts

- 1/4 turn rising spindle
- Products which are easy to use by all the family



*Please refer to website for full warranty details.



Flow (Bar - l/min, open outlet)

Spout

Flow 0.1	Flow 0.3	Flow 0.5	Flow 1.0	Flow 2.0	Flow 3.0	Flow 4.0	Flow 5.0
6	10.7	14.5	17	20	25	30	34

**12 YEAR
GUARANTEE**
ON ALL DEVA
CHROME TAPS
*TERMS APPLY