



# Coronation

## Coronation bath taps

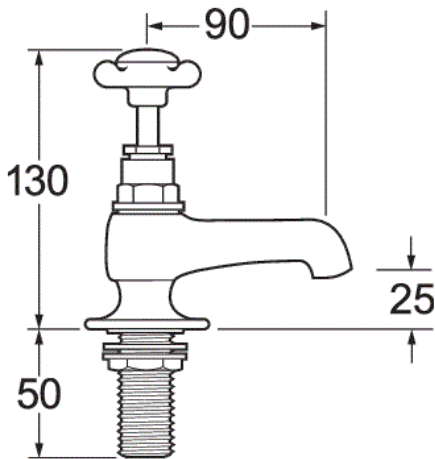
Product Code: CR20

Finish: Chrome

### Features

- Construction:** Brass
- Valve/Cartridge type:** Standard
- Supply:** Suitable For All Plumbing Systems
- Working Pressures:** 0.1 - 5.0 bar
- Inlet connections:** 3/4" BSP
- Flexi or Copper:** N/A

· Optimised For Bath Filling



\*Please refer to website for full warranty details.

### Flow (Bar - l/min, open outlet)

#### Spout

Flow 0.1	Flow 0.3	Flow 0.5	Flow 1.0	Flow 2.0	Flow 3.0	Flow 4.0	Flow 5.0
20.2	31.2	41.8	61.1	88.2	103.2		



1906057

