



Coronation

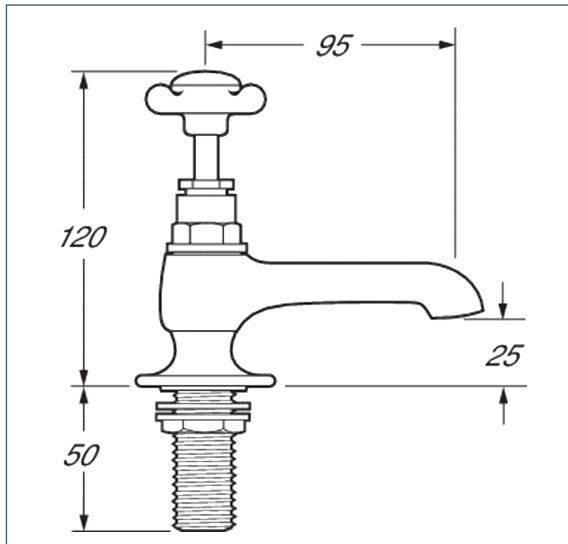
Coronation basin taps

Product Code: CR19

Finish: Chrome

Features

- Construction: Brass
- Valve/Cartridge type: Standard
- Supply: Suitable For All Plumbing Systems
- Working Pressures: 0.1 - 5.0 bar
- Inlet connections: 1/2" BSP
- Flexi or Copper: N/A



*Please refer to website for full warranty details.

Flow (Bar - l/min, open outlet)

Spout

Flow 0.1	Flow 0.3	Flow 0.5	Flow 1.0	Flow 2.0	Flow 3.0	Flow 4.0	Flow 5.0
6.6	10	13.3	19.2	27.4	33.8	39.1	44



2003752



2004306

