



# Tap Spare

## Wall extensions

Product Code: 095 WALL EXT

Finish: Chrome

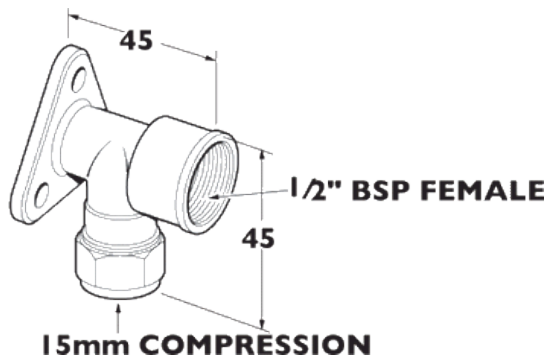
### Features

Construction: Brass  
Inlet Connections: 15mm Compression

- Sold in pairs
- For use with bib taps



\*Please refer to website for full warranty details.



**1 YEAR  
GUARANTEE**

\*TERMS APPLY